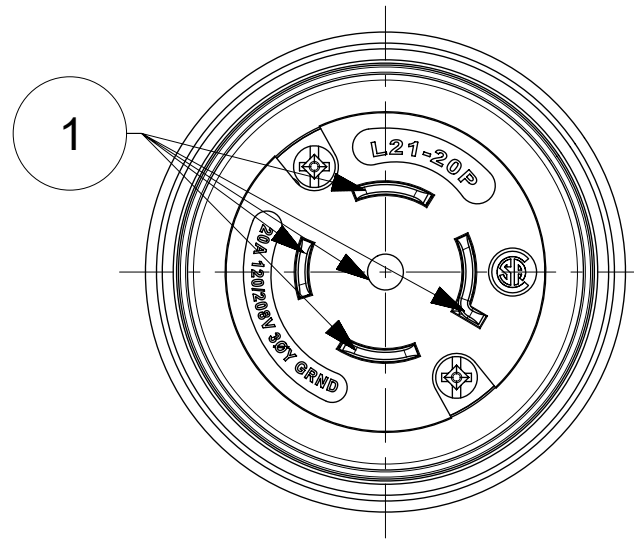
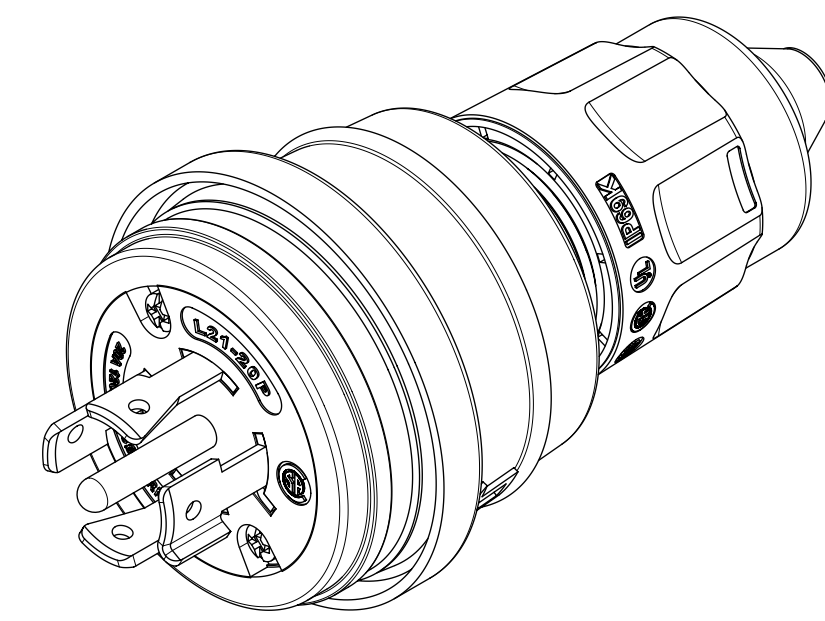
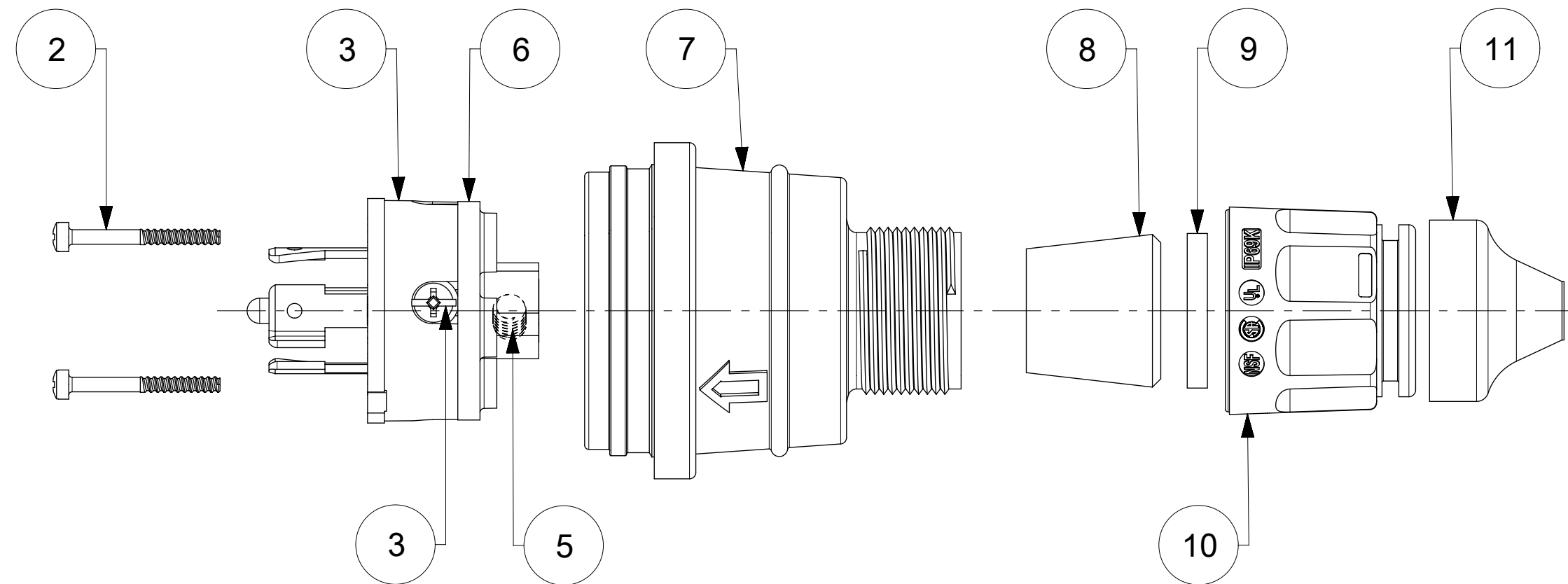
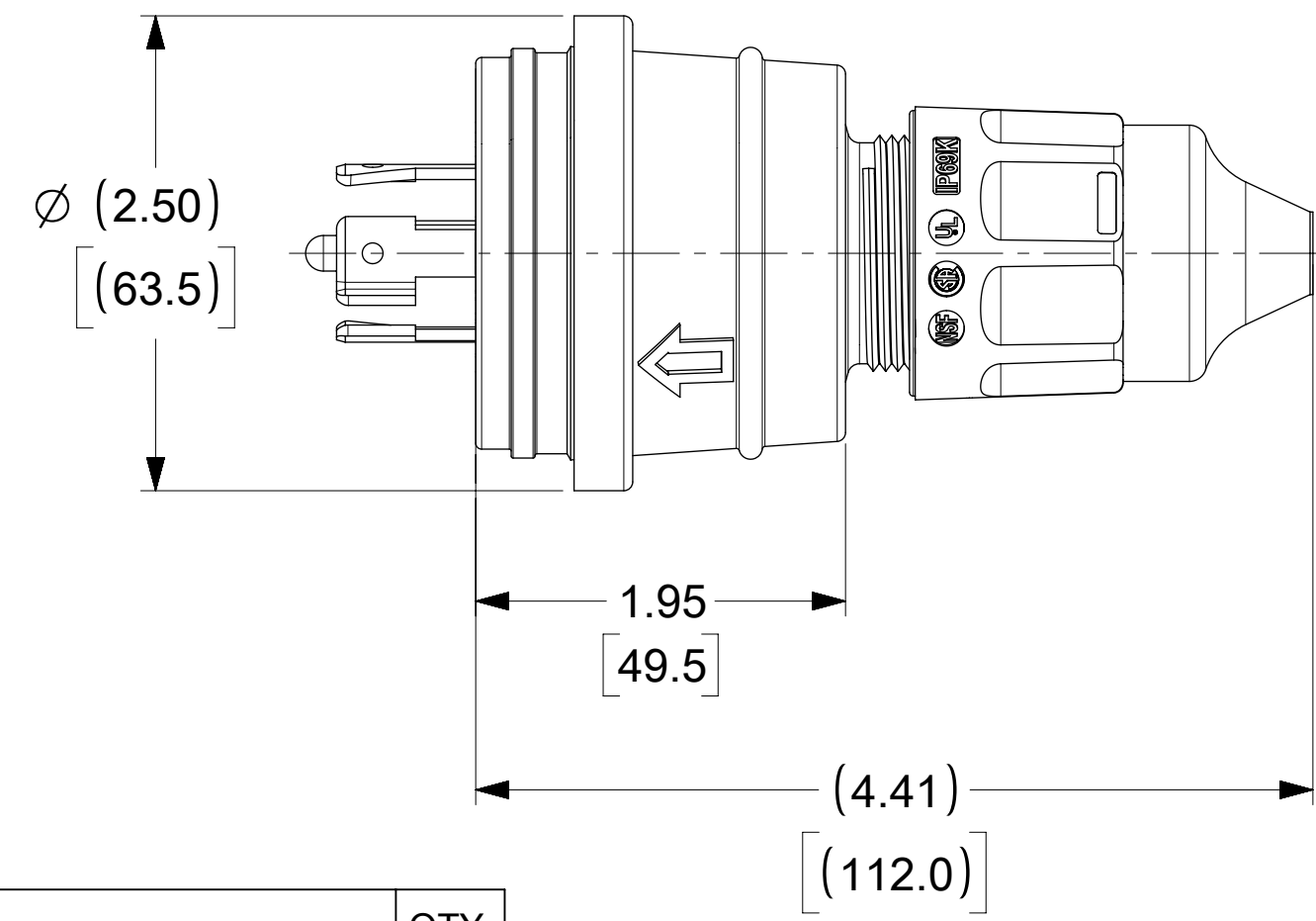


ORDER NO.	WOODHEAD NO.	COLOR
130147-0031	26W81	YELLOW
130147-0032	26W81BLK	BLACK



FACE VIEW



NOTE:
1. ACCEPT CABLE RANGE FROM .437" TO .750"

ITEM NO.	DESCRIPTIONS	MATERIAL	QTY.
1	BLADE	BRASS, NICKEL PLATED	5
2	RETAINING SCREWS	STAINLESS STEEL	2
3	CLAMP AND TERMINAL SCREW ASSY	BRASS, ZINC PLATED	4
4	INSERT	NYLON	1
5	SET SCREWS	STAINLESS STEEL	1
6	TERMINAL COVER	POLYCARBONATE	1
7	HOUSING	SILICON WITH NYLON THREAD	1
8	GROMMET	RUBBER	3
9	FRICTION RING	NYLON	1
10	COMPRESSION NUT	NYLON	1
11	CABLE GLOVE	SILICONE	1

SYMBOLS		THIS DRAWING CONTAINS INFORMATION THAT IS PROPRIETARY TO MOLEX ELECTRONIC TECHNOLOGIES, LLC AND SHOULD NOT BE USED WITHOUT WRITTEN PERMISSION	
▽ = 0	INCH[MM]	SCALE	CURRENT REV DESC: RELEASED
▽ = 0	NTS		
▽ = 0	GENERAL TOLERANCES (UNLESS SPECIFIED)		
▽ = 0		MM	INCH
▽ = 0	4 PLACES	±	±
▽ = 0	3 PLACES	±	±
▽ = 0	2 PLACES	±	±
▽ = 0	1 PLACE	±	±
▽ = 0	0 PLACES	±	±
▽ = 0	ANGULAR TOL	± °	
▽ = 0	DRAFT WHERE APPLICABLE MUST REMAIN WITHIN DIMENSIONS		THIRD ANGLE PROJECTION
		DRAWING	SERIES
		C-SIZE	130147
DOCUMENT STATUS		EC NO: 616442	2019/01/10
P1	RELEASE DATE	DRWN: DSOPPIN	2019/04/30
	2019/05/08 22:05:46	CHK'D: DNGUYEN62	2019/05/08
		APPR: BCAPPS	
		INITIAL REVISION:	
		DRWN: DSOPPIN	2019/01/10
		APPR: BCAPPS	2019/05/08
DOCUMENT NUMBER		PRODUCT CUSTOMER DRAWING	
1301470031		WATERTITE PLUG 4P5W L21-20	
DOC TYPE	DOC PART	REVISION	
PSD	000	A	
MATERIAL NUMBER		CUSTOMER	SHEET NUMBER
SEE TABLE		GENERAL MARKET	1 OF 1