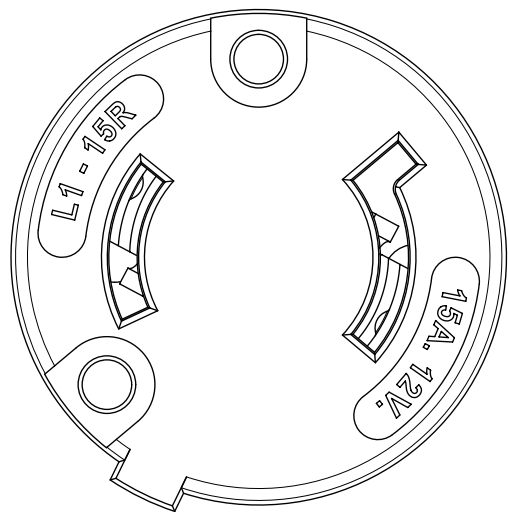
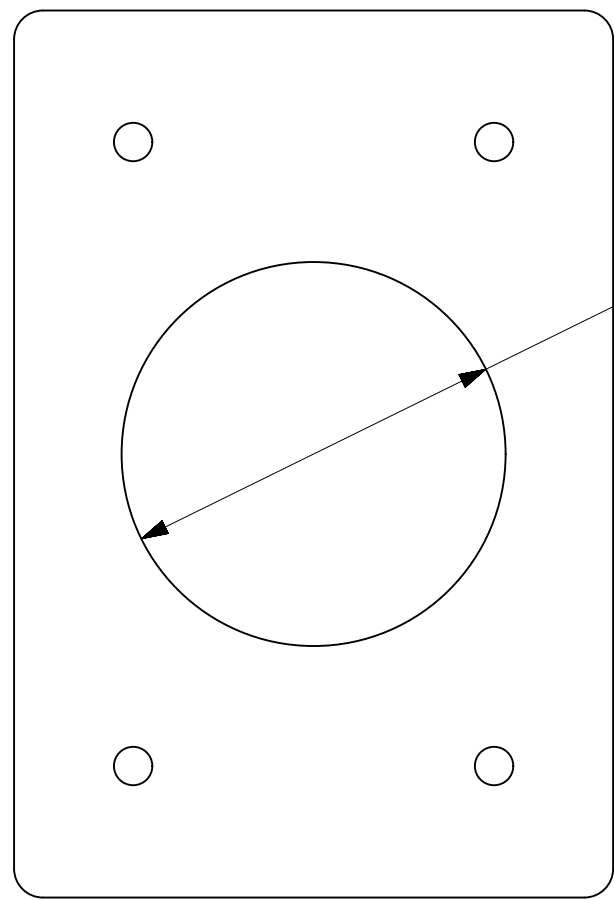
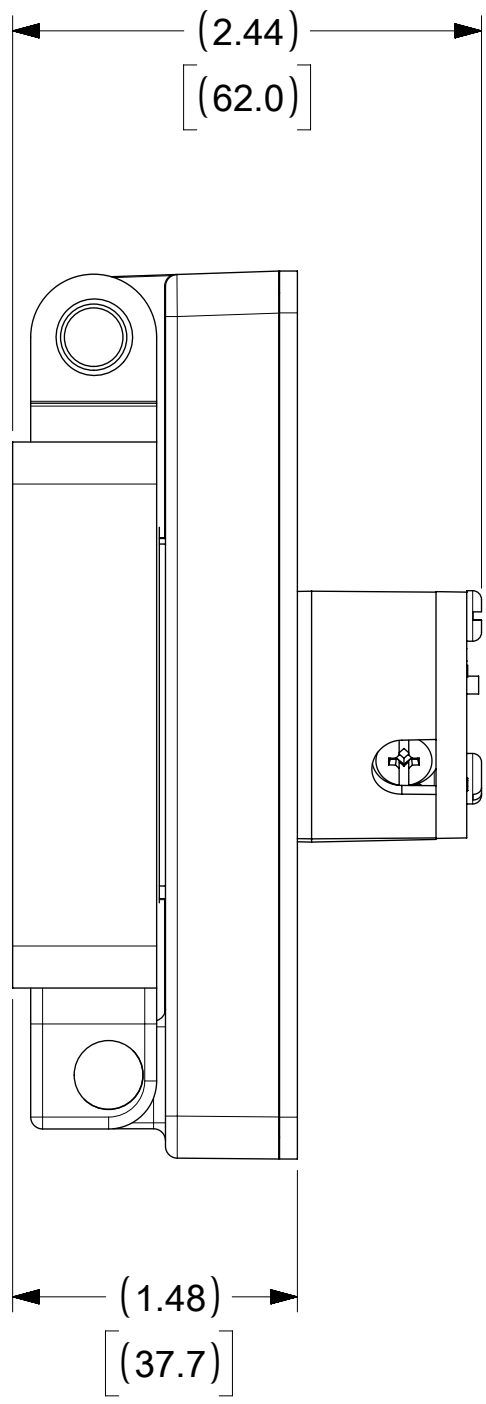
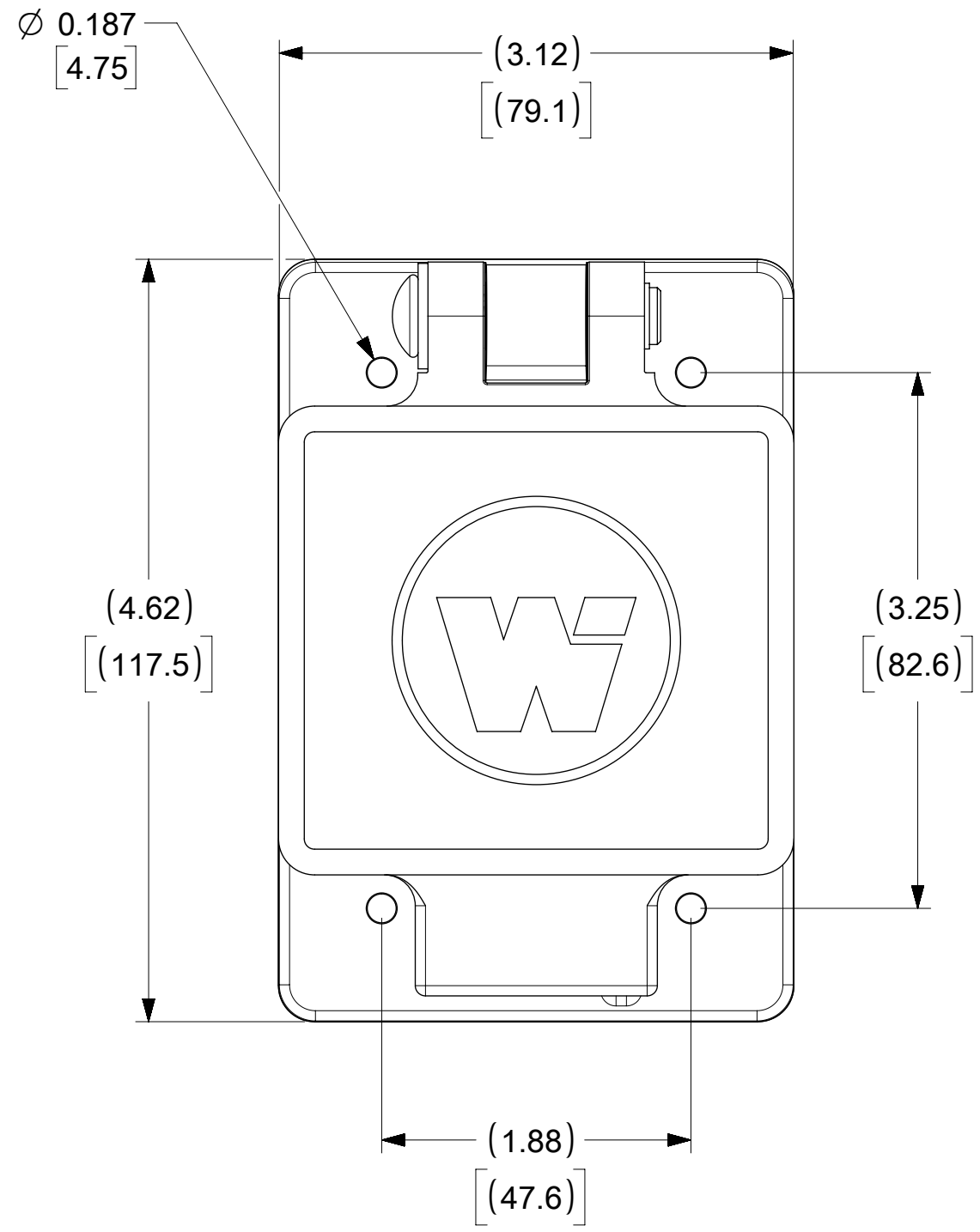
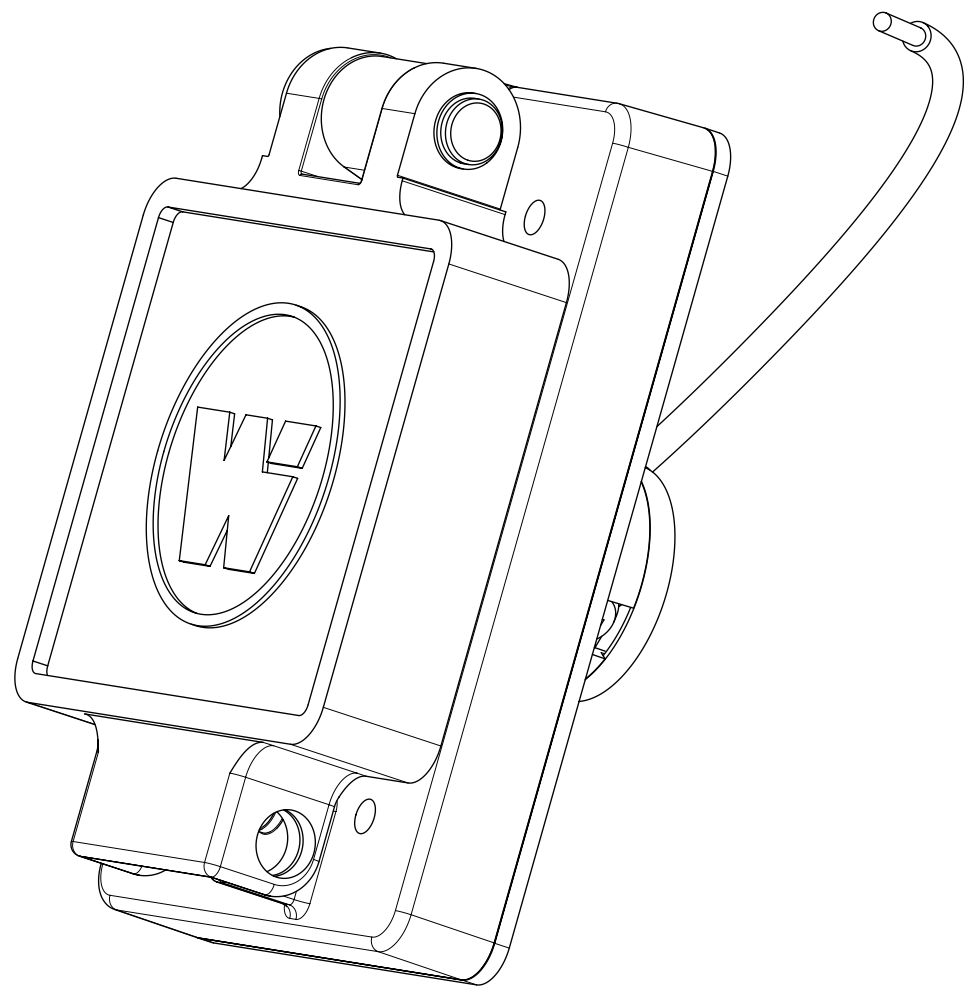


ORDER NO.	WOODHEAD NO.	COLOR
130146-0145	65W07	YELLOW



FACE VIEW



CLEARANCE HOLE (FOR PANEL MOUNT)

DESCRIPTION	MATERIAL	QTY.
BLADES	BRASS, NICKEL PLATED	3
RETAINING SCREWS	STAINLESS STEEL	3
CLAMP AND TERMINAL SCREW ASSY.	BRASS, ZINC PLATED	3
FEMALE INSERT	NYLON	1
TERMINAL COVER	POLYCARBONATE	1
COVER ASSEMBLY	POLYCARBONATE, STAINLESS STEEL, ALUMINUM	1
GASKET FLIP	NEOPRENE	1
SUPPORT PLATE	STAINLESS STEEL	1
SCREW (GROUND WIRE)	STAINLESS STEEL	1
JUMPER WIRE ASSY	COPPER, BRASS (TINNED FINISH)	1

THIS DRAWING CONTAINS INFORMATION THAT IS PROPRIETARY TO MOLEX ELECTRONIC TECHNOLOGIES, LLC AND SHOULD NOT BE USED WITHOUT WRITTEN PERMISSION										
SYMBOLS		DIMENSION UNITS		SCALE		CURRENT REV DESC: MIGRATE TO ECTR/NX				
∇ = 0	INCH	[MM]	NTS			EC NO: 613607				
∇ = 0	GENERAL TOLERANCES (UNLESS SPECIFIED)					DRWN: SRPATIL		2019/01/09		
∇ = 0	4 PLACES	±	±	MM	INCH	CHK'D: DNGUYEN62		2019/03/14		
∇ = 0	3 PLACES	±	±			APPR: HKNEELAND		2019/03/22		
∇ = 0	2 PLACES	±	±			INITIAL REVISION:				
∇ = 0	1 PLACE	±	±			DRWN: SRPATIL		2019/01/09		PRODUCT CUSTOMER DRAWING
∇ = 0	0 PLACES	±	±			APPR: HKNEELAND		2019/03/22		DOCUMENT NUMBER
∇ = 0	ANGULAR TOL	±	°			THIRD ANGLE PROJECTION		DRAWING		SERIES
∇ = 0	DRAFT WHERE APPLICABLE MUST REMAIN WITHIN DIMENSIONS					C-SIZE		130146		MATERIAL NUMBER
										CUSTOMER
										SHEET NUMBER
										1 OF 1

molex			
WATERTITE FS COVERPLATE 3P3W NON-NEMA			
PRODUCT CUSTOMER DRAWING			
DOCUMENT NUMBER		DOC TYPE	DOC PART
1301460145		PSD	000
MATERIAL NUMBER		CUSTOMER	SHEET NUMBER
SEE TABLE		GENERAL MARKET	1 OF 1