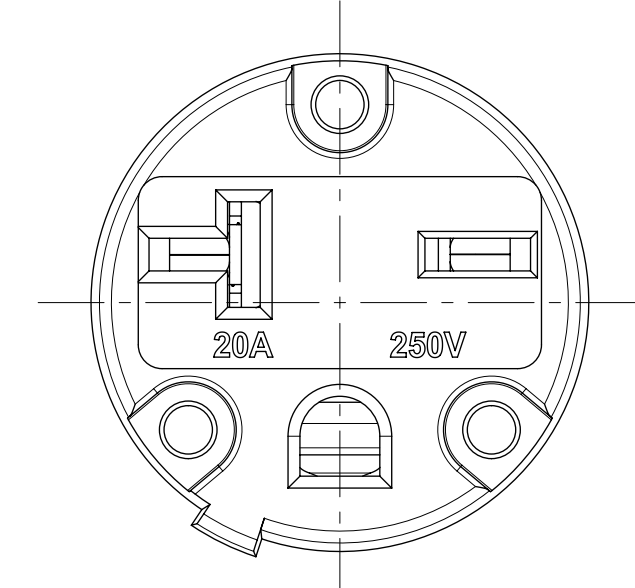
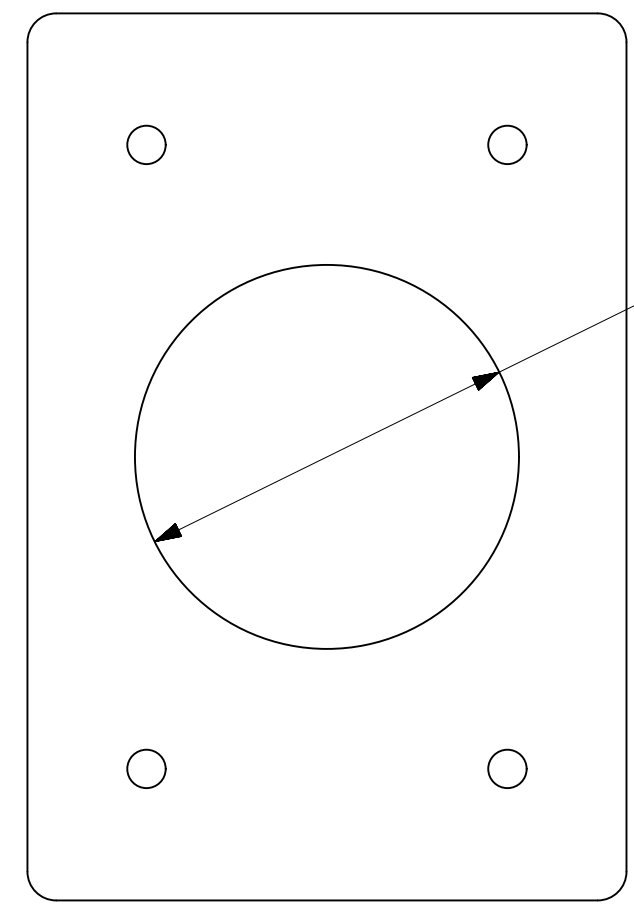
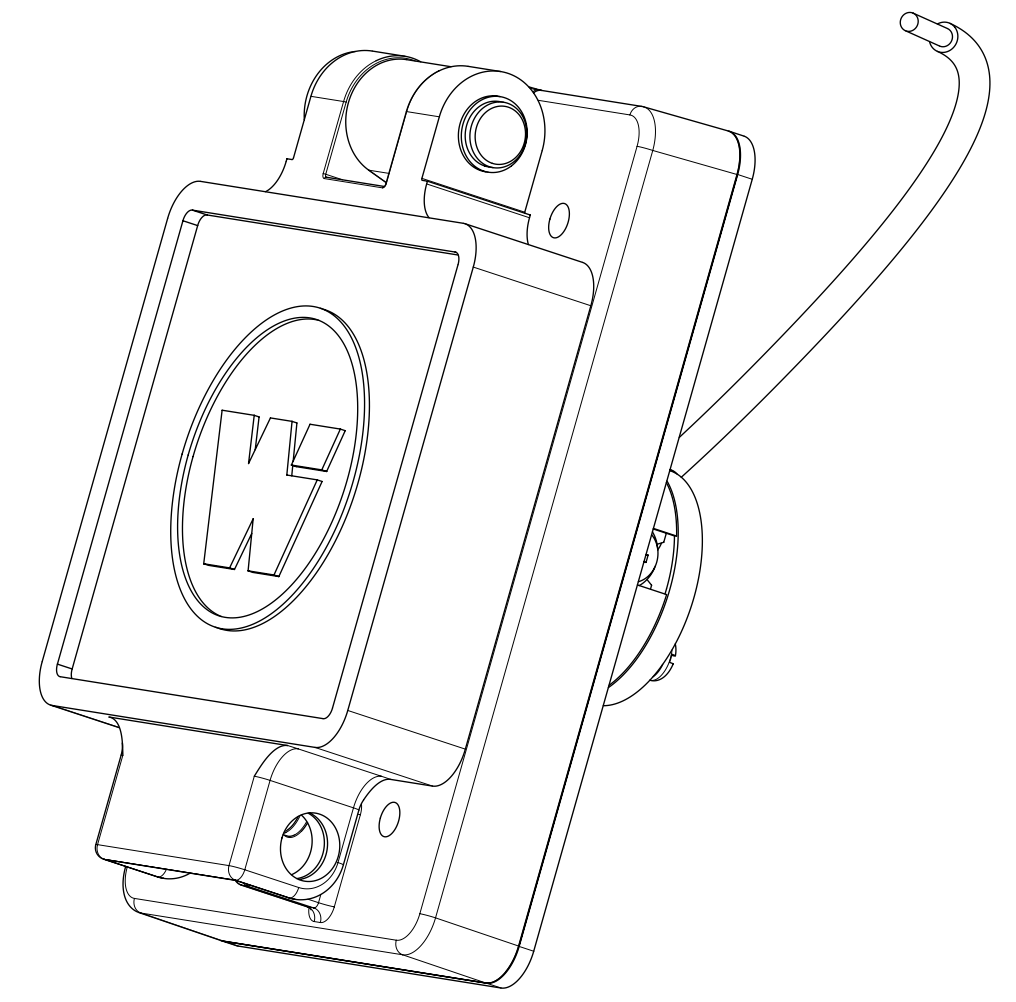
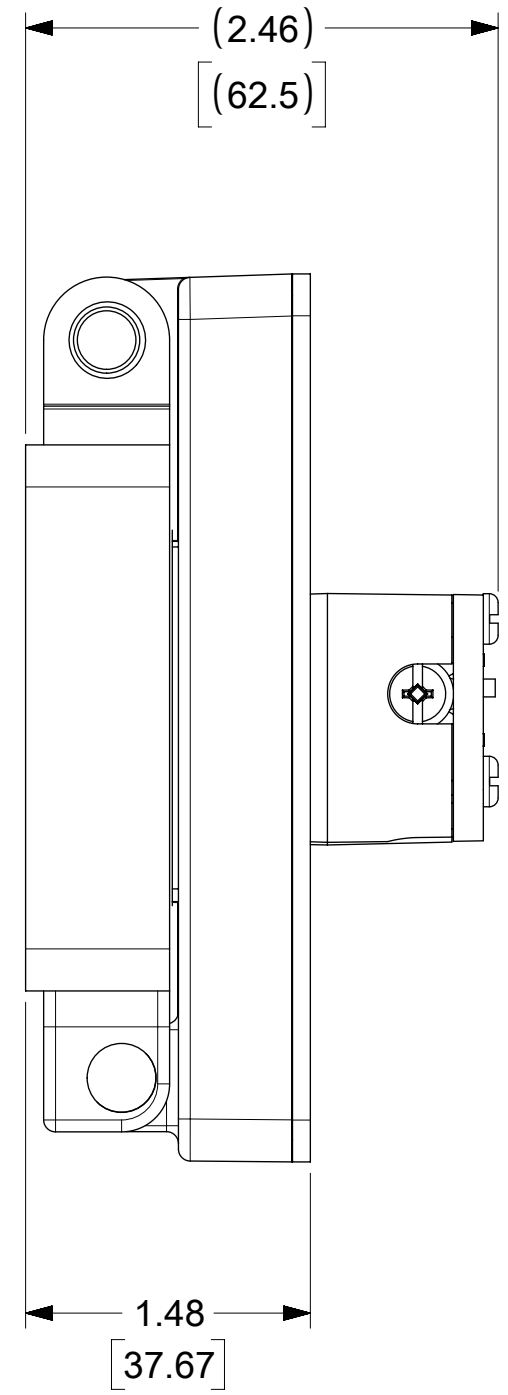
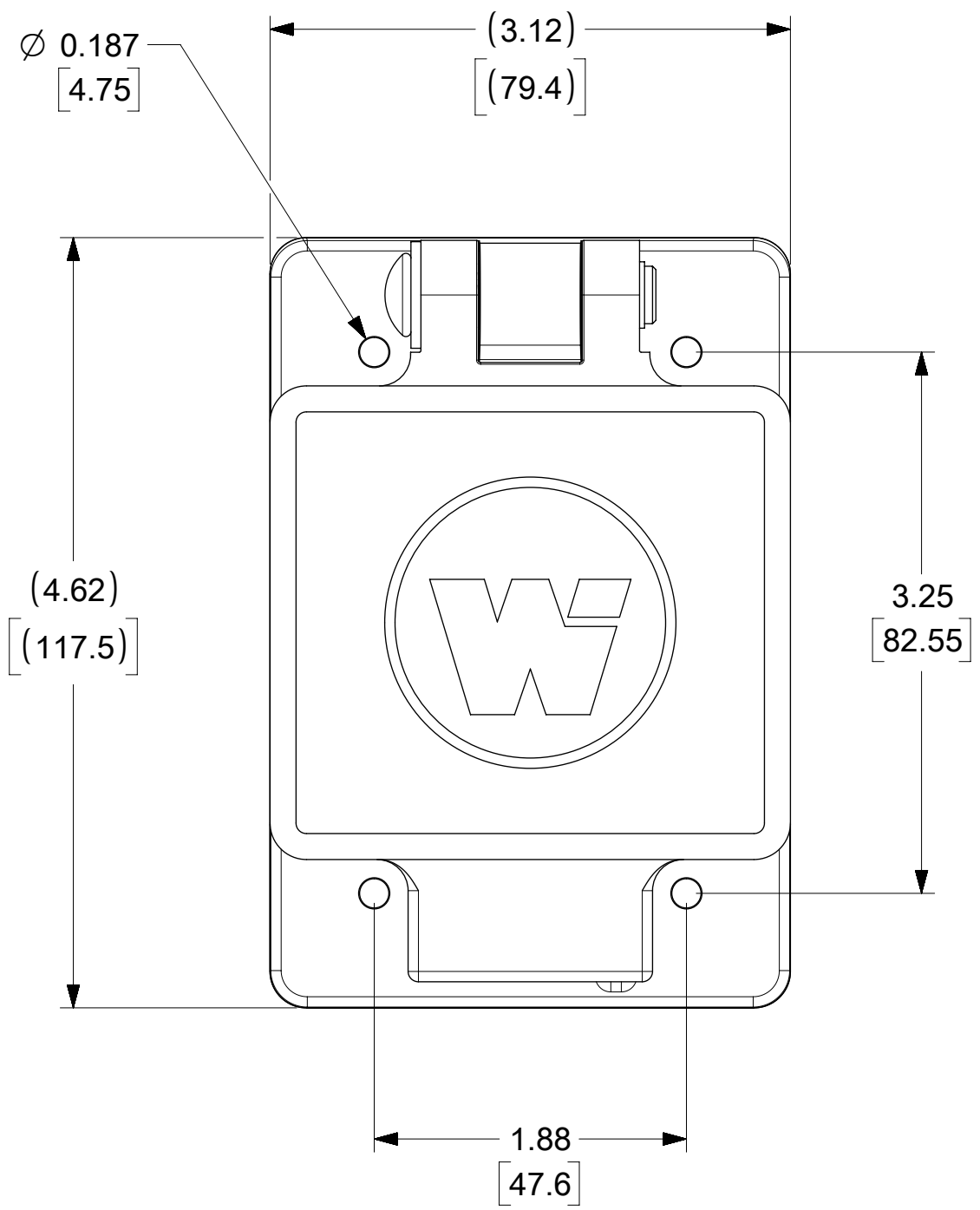


ORDER NO.	WOODHEAD NO.	COLOR
130146-0133	60W48	YELLOW



CLEARANCE HOLE
(FOR PANEL MOUNT)

FACE VIEW

DESCRIPTION	MATERIAL	QTY.
BLADES	BRASS, NICKEL PLATED	3
RETAINING SCREWS	STAINLESS STEEL	3
CLAMP AND TERMINAL SCREW ASSY.	BRASS, ZINC PLATED	3
FEMALE INSERT	NYLON	1
TERMINAL COVER	POLYCARBONATE	1
COVER ASSEMBLY	POLYCARBONATE, STAINLESS STEEL, ALUMINUM	1
GASKET FLIP	NEOPRENE	1
SUPPORT PLATE	STAINLESS STEEL	1
SCREW (GROUND WIRE)	STAINLESS STEEL	1
JUMPER WIRE ASSY	COPPER, BRASS (TINNED FINISH)	1

THIS DRAWING CONTAINS INFORMATION THAT IS PROPRIETARY TO MOLEX ELECTRONIC TECHNOLOGIES, LLC AND SHOULD NOT BE USED WITHOUT WRITTEN PERMISSION									
SYMBOLS		DIMENSION UNITS		SCALE		CURRENT REV DESC: MIGRATE TO ECTR/NX			
▽ = 0		INCH[MM]		NTS		<p>molex</p> <p>WATERTITE FS COVERPLATE 2P3W 6-20</p> <p>PRODUCT CUSTOMER DRAWING</p> <p>DOCUMENT NUMBER: 1301460133 DOC TYPE: PSD DOC PART: 000 REVISION: A</p> <p>MATERIAL NUMBER: SEE TABLE CUSTOMER: GENERAL MARKET SHEET NUMBER: 1 OF 1</p>			
▽ = 0		GENERAL TOLERANCES (UNLESS SPECIFIED)							
▽ = 0		MM		INCH					
▽ = 0		±		±					
▽ = 0		4 PLACES		±		EC NO: 613337			
▽ = 0		3 PLACES		±		DRWN: SRPATIL 2018/12/17			
▽ = 0		2 PLACES		±		CHK'D: DNGUYEN62 2019/03/12			
▽ = 0		1 PLACE		±		APPR: HKNEELAND 2019/03/18			
▽ = 0		0 PLACES		±		INITIAL REVISION:			
▽ = 0		ANGULAR TOL		± °		DRWN: SRPATIL 2018/12/17			
▽ = 0		DRAFT WHERE APPLICABLE MUST REMAIN WITHIN DIMENSIONS		THIRD ANGLE PROJECTION		DRAWING		SERIES	
▽ = 0				C-SIZE		130146			