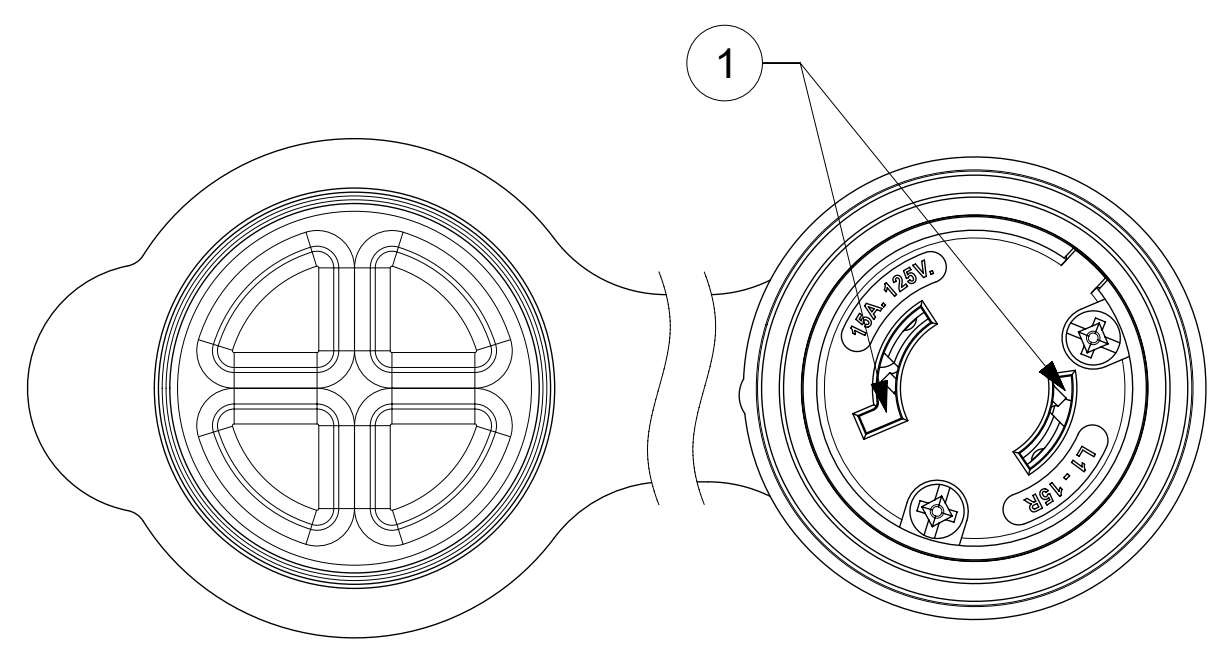
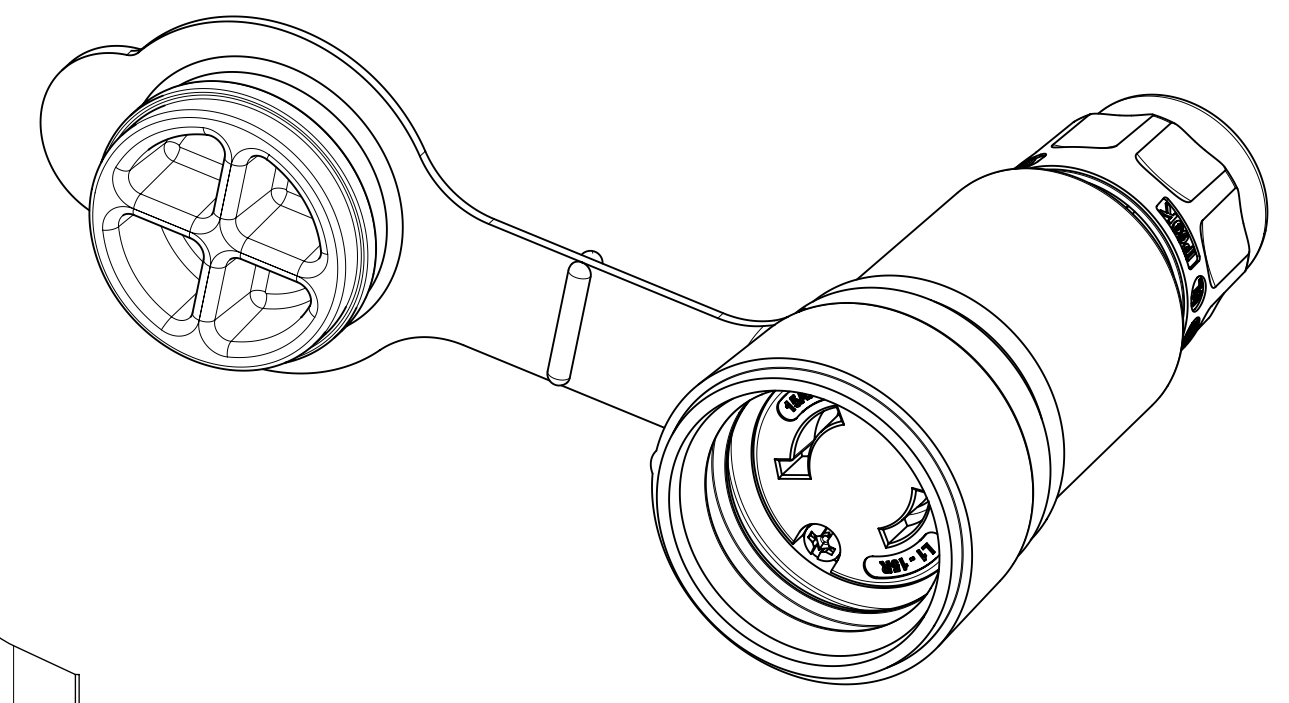
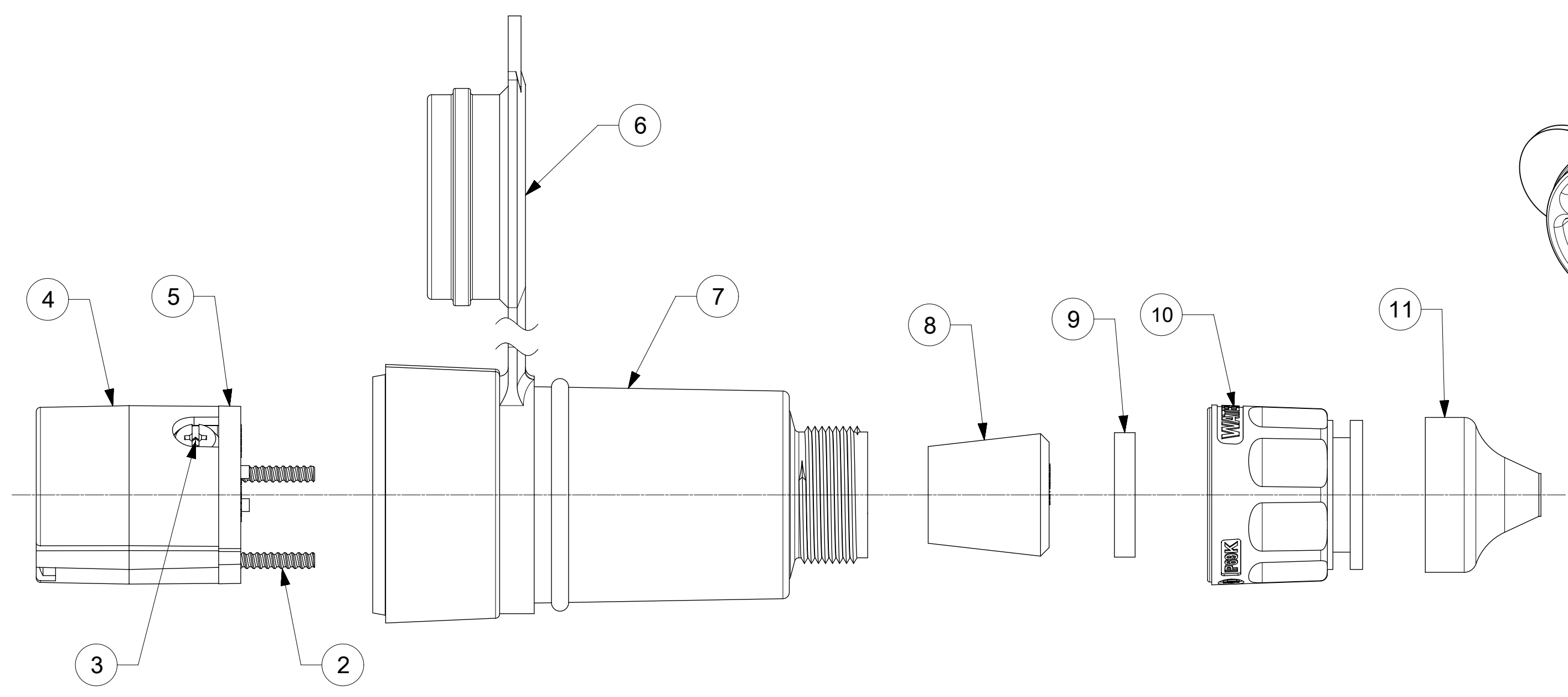
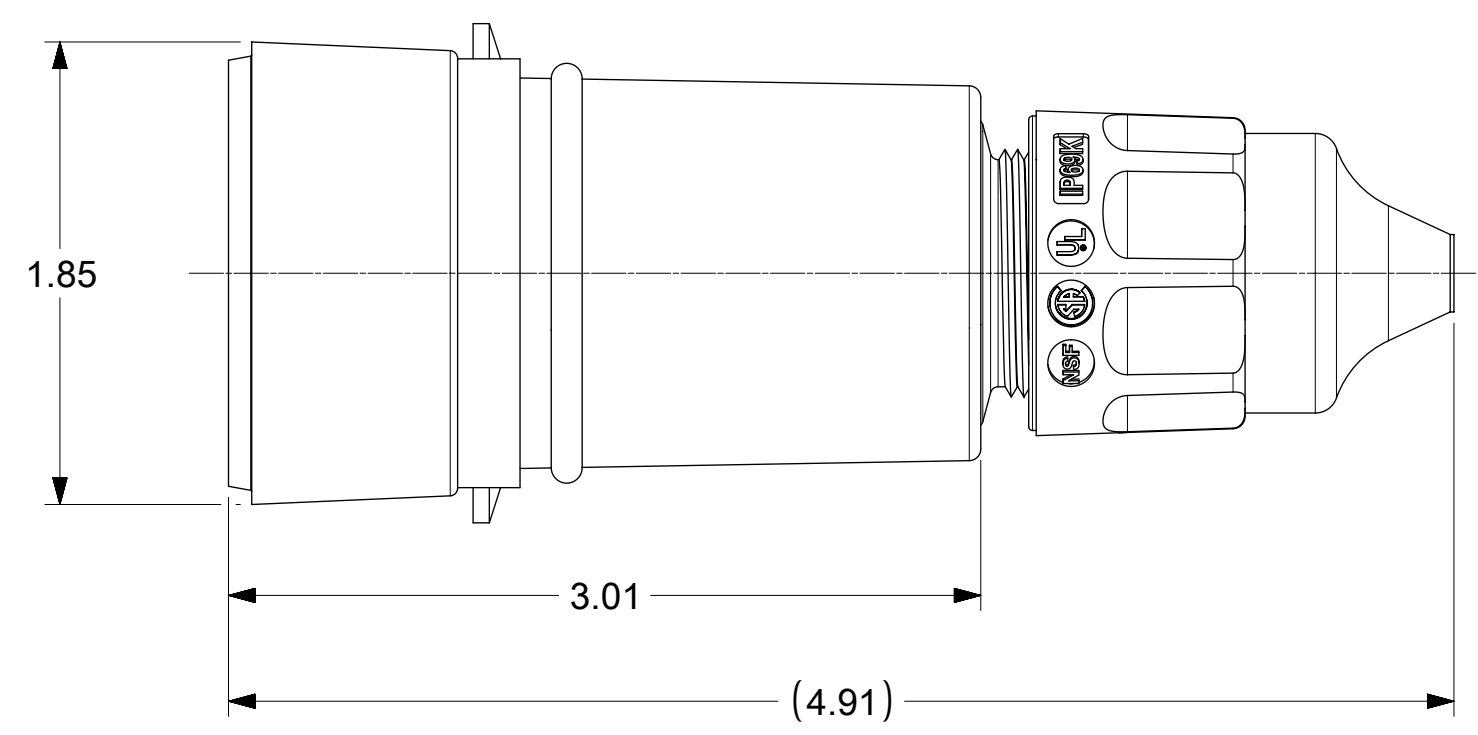


ORDER NO.	WOODHEAD NO.	COLOR
130146-0090	25W04	YELLOW



FACE VIEW



NOTES:
 1. SEE INSTRUCTION SHEET NUMBER 1301414770 FOR PRODUCT SPECIFICATION.
 2. CABLE RANGE FROM 0.375" TO 0.625"

ITEM NO.	DESCRIPTIONS	MATERIAL	QTY.
1	BLADES	BRASS	2
2	RETAINING SCREWS	STAINLESS STEEL	2
3	TERMINAL SCREWS	BRASS, ZINC PLATED	2
4	INSERT	NYLON	1
5	TERMINAL COVER	POLYCARBONATE	1
6	FLIP COVER	SILICONE	1
7	HOUSING	SILICONE WITH NYLON THREAD	1
8	GROMMETS	RUBBER	5
9	FRICTION RING	NYLON	1
10	COMPRESSION NUT	NYLON	1
11	CABLE GLOVE	SILICONE	1

SYMBOLS DIMENSION UNITS: INCH SCALE: NTS CURRENT REV DESC: RELEASED		molex WATERTITE CONNECTOR, L1-15R PRODUCT CUSTOMER DRAWING	
GENERAL TOLERANCES (UNLESS SPECIFIED) ANGULAR TOL ± 0.5° 4 PLACES ± 3 PLACES ± 0.005 2 PLACES ± 0.01 1 PLACE ± 0.02 0 PLACES ±		EC NO: 614930 DRWN: VASUTHKARP 2019/04/04 CHK'D: DNGUYEN62 2019/04/04 APPR: HKNEELAND 2019/04/04 INITIAL REVISION: DRWN: NVELUSAMY 2018/11/08 APPR: HKNEELAND 2019/02/26	
DRAFT WHERE APPLICABLE MUST REMAIN WITHIN DIMENSIONS		THIRD ANGLE PROJECTION 	DRAWING SERIES C-SIZE 130146
DOCUMENT STATUS: P1 RELEASE DATE: 2019/04/04 21:14:33		DOCUMENT NUMBER: 1301460090 DOC TYPE: PSD DOC PART: 000 REVISION: A2	MATERIAL NUMBER: SEE TABLE CUSTOMER: GENERAL MARKET SHEET NUMBER: 1 OF 1