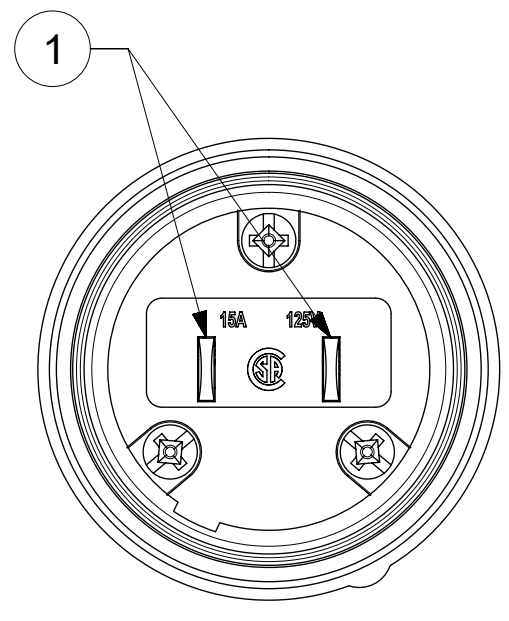
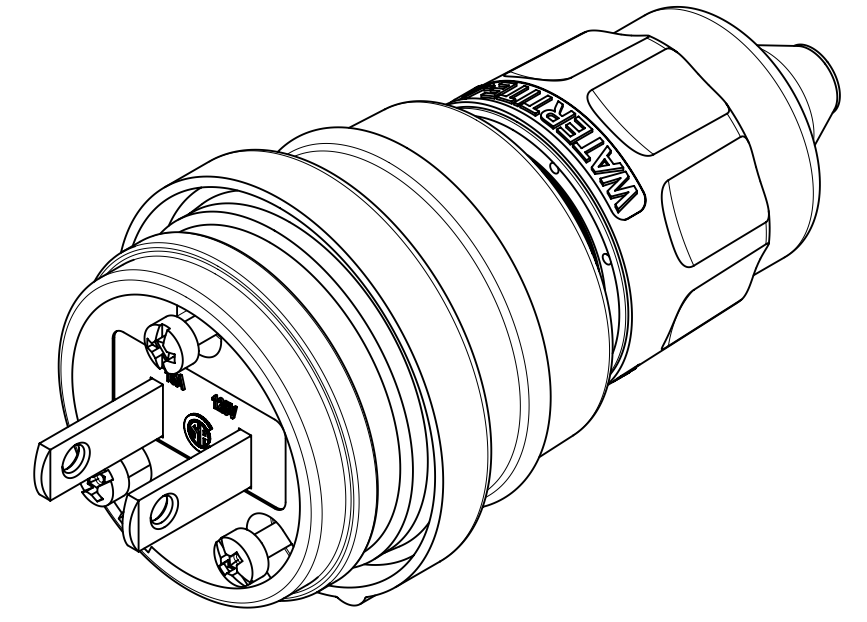
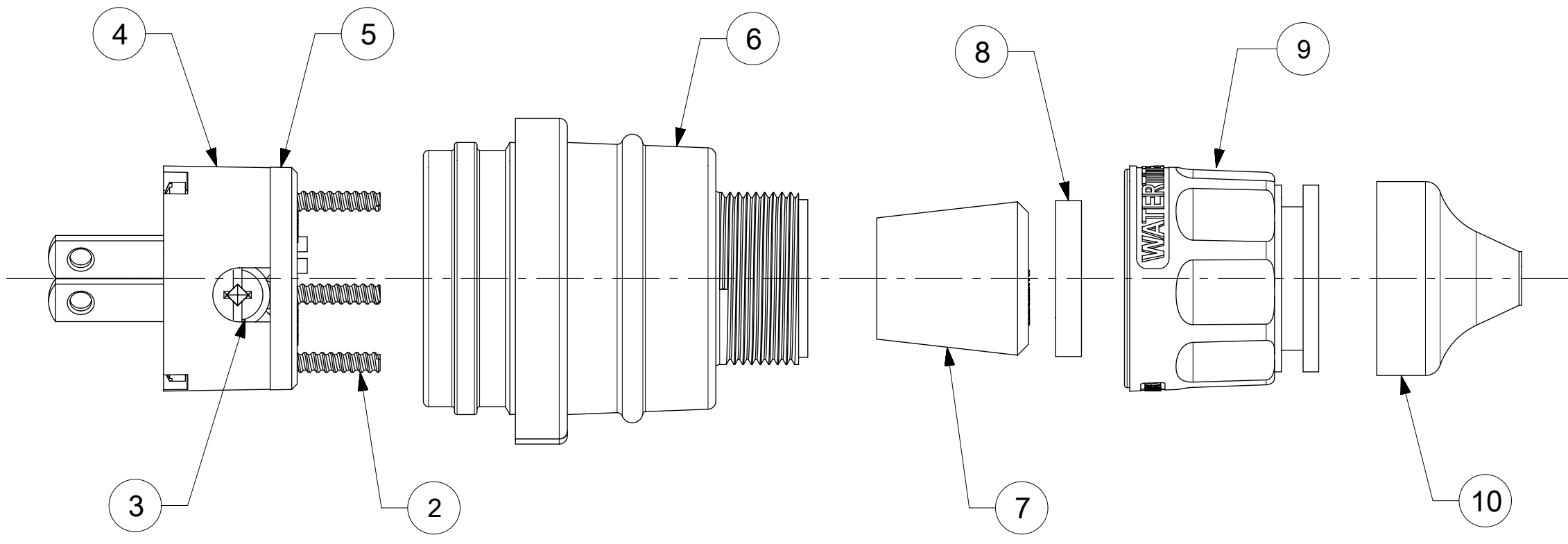
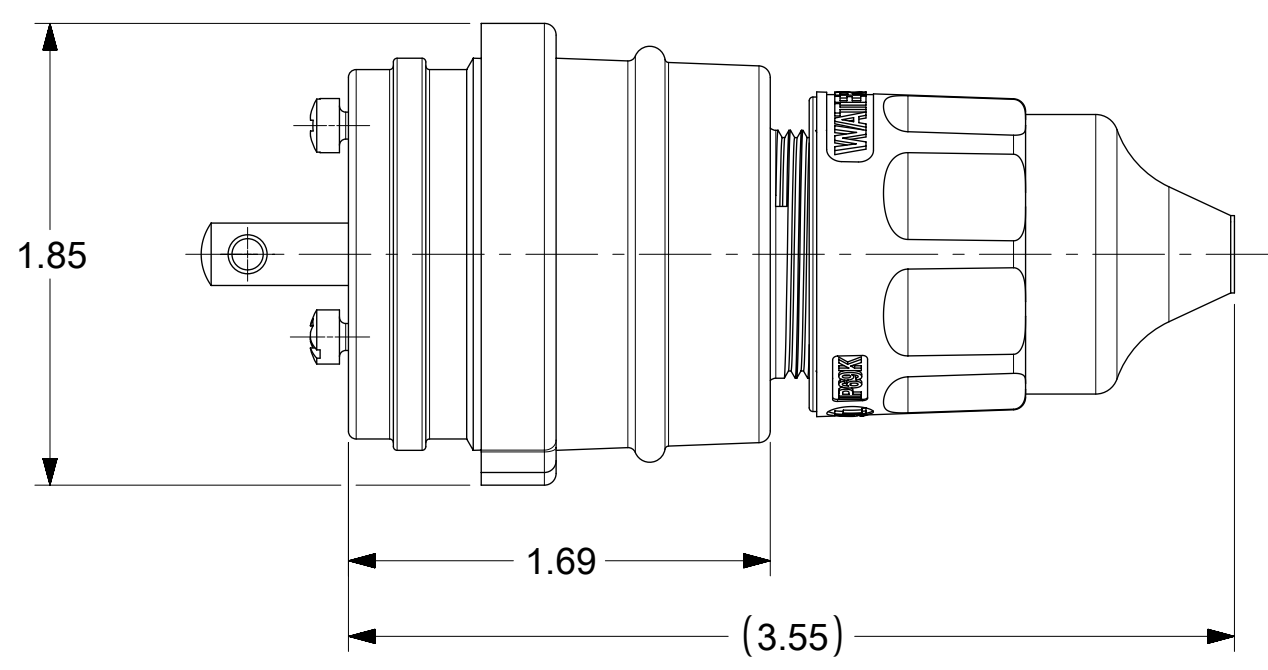


ORDER NO.	WOODHEAD NO.	COLOR
130146-0012	14W04	YELLOW



**FACE VIEW**



**NOTES:**  
 1. SEE INSTRUCTION SHEET NUMBER 1301414770 FOR PRODUCT SPECIFICATION.  
 2. CABLE RANGE FROM 0.375" TO 0.625"

ITEM NO.	DESCRIPTIONS	MATERIAL	QTY.
1	BLADES	BRASS	2
2	RETAINING SCREWS	STAINLESS STEEL	3
3	TERMINAL SCREWS	BRASS, ZINC PLATED	2
4	INSERT	NYLON	1
5	TERMINAL COVER	POLYCARBONATE	1
6	HOUSING	SILICONE WITH NYLON THREAD	1
7	GROMMETS	RUBBER	5
8	FRICTION RING	NYLON	1
9	COMPRESSION NUT	NYLON	1
10	CABLE GLOVE	SILICONE	1

DOCUMENT STATUS	P1	RELEASE DATE	2019/03/21	14:47:45
-----------------	----	--------------	------------	----------

THIS DRAWING CONTAINS INFORMATION THAT IS PROPRIETARY TO MOLEX ELECTRONIC TECHNOLOGIES, LLC AND SHOULD NOT BE USED WITHOUT WRITTEN PERMISSION									
DIMENSION UNITS		SCALE		CURRENT REV DESC:				<b>molex</b>	
INCH		NTS							
GENERAL TOLERANCES (UNLESS SPECIFIED)				EC NO: 613686				WATERTITE PLUG, 1-15P	
ANGULAR TOL ± 0.5°				DRWN: VHANDI 2019/03/13					
4 PLACES ±				CHK'D: DNGUYEN62 2019/03/18				PRODUCT CUSTOMER DRAWING	
3 PLACES ± 0.005				APPR: HKNEELAND 2019/03/21					
2 PLACES ± 0.01				INITIAL REVISION:				DOCUMENT NUMBER	
1 PLACE ± 0.02				DRWN: ABABU01 2018/11/23					
0 PLACES ±				APPR: HKNEELAND 2019/02/11				1301460012	
DRAFT WHERE APPLICABLE MUST REMAIN WITHIN DIMENSIONS		THIRD ANGLE PROJECTION		DRAWING		SERIES		MATERIAL NUMBER	
				C-SIZE		130146		SEE TABLE	
						GENERAL MARKET		CUSTOMER	
								SHEET NUMBER	
								1 OF 1	