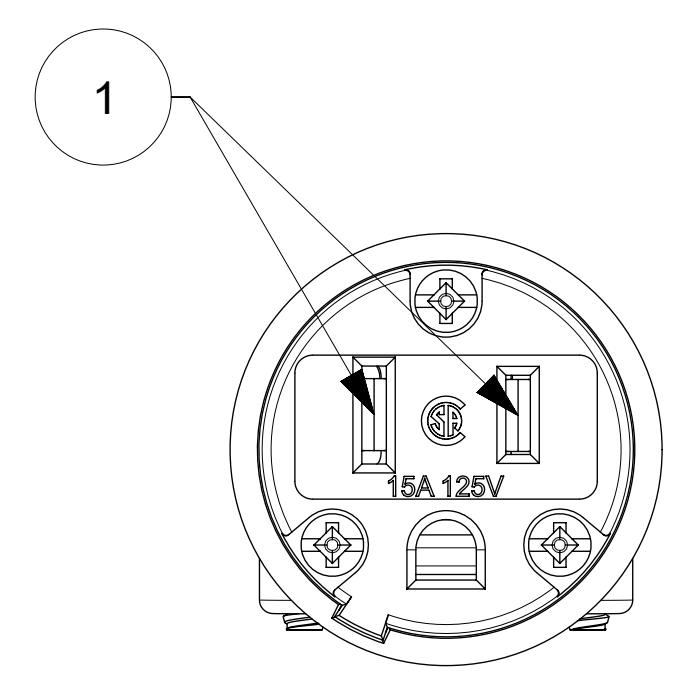
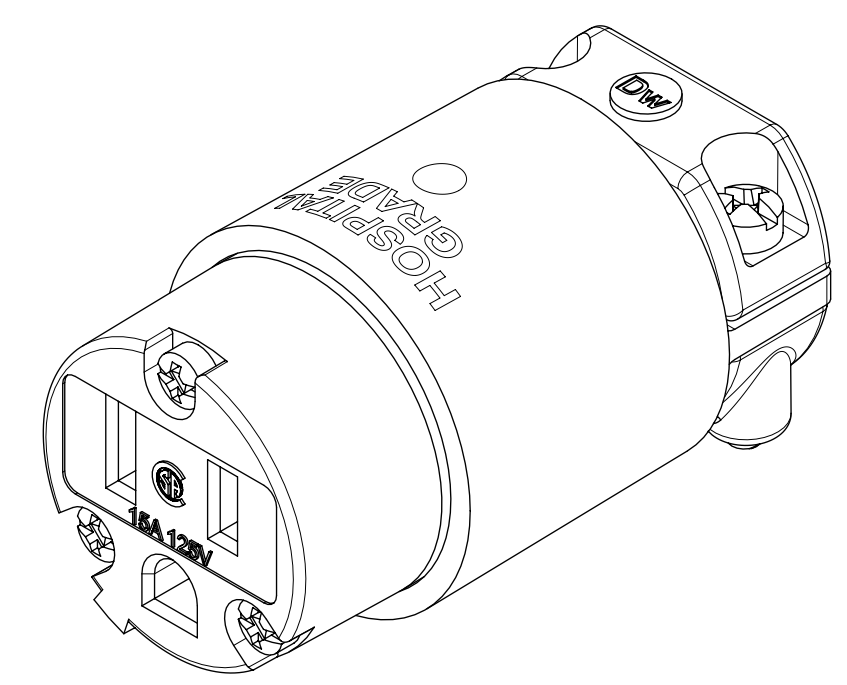
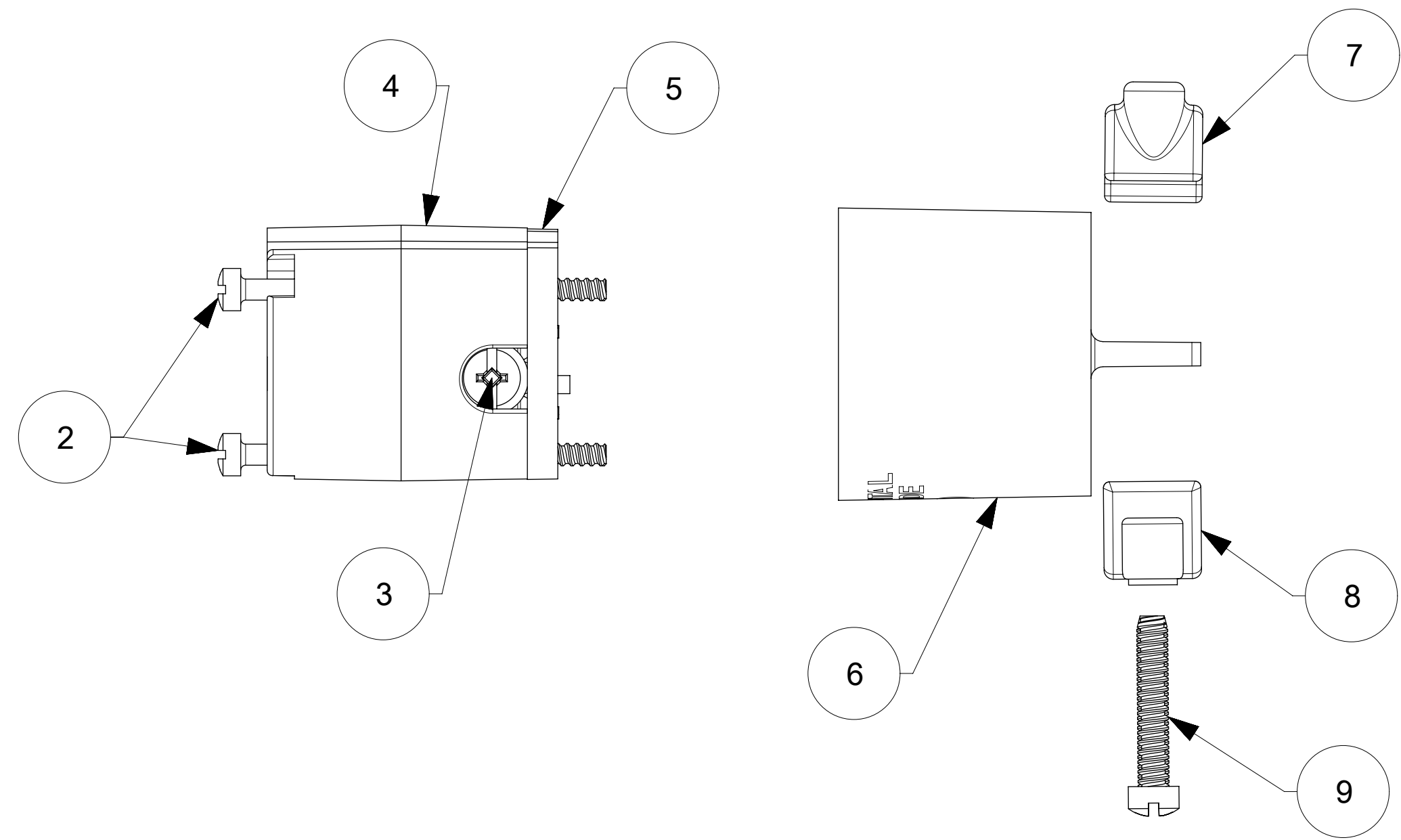
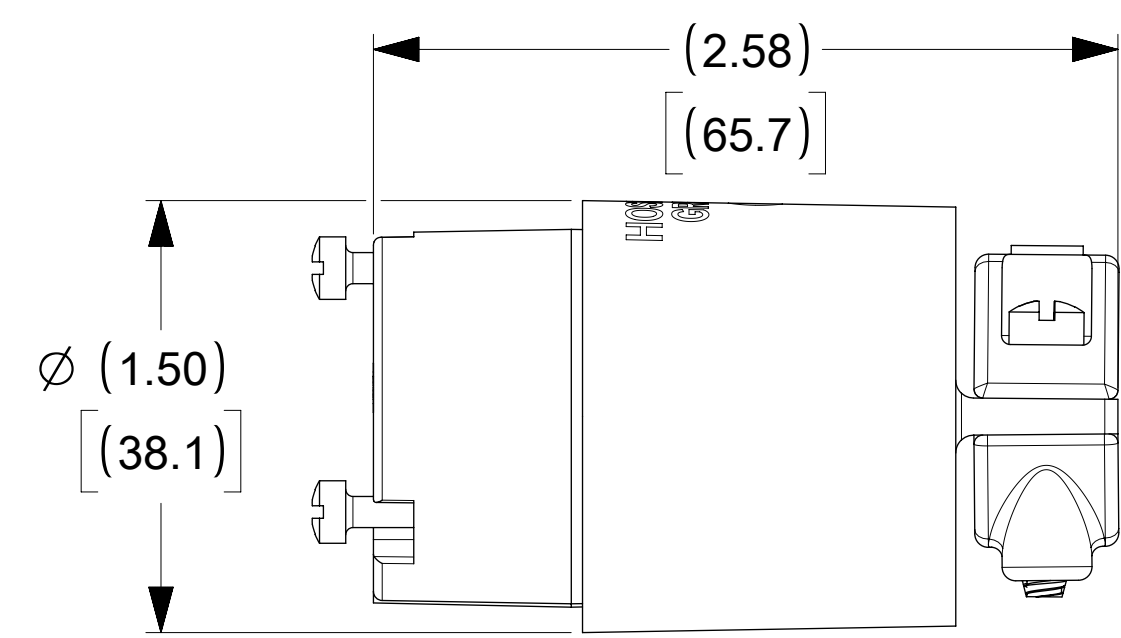


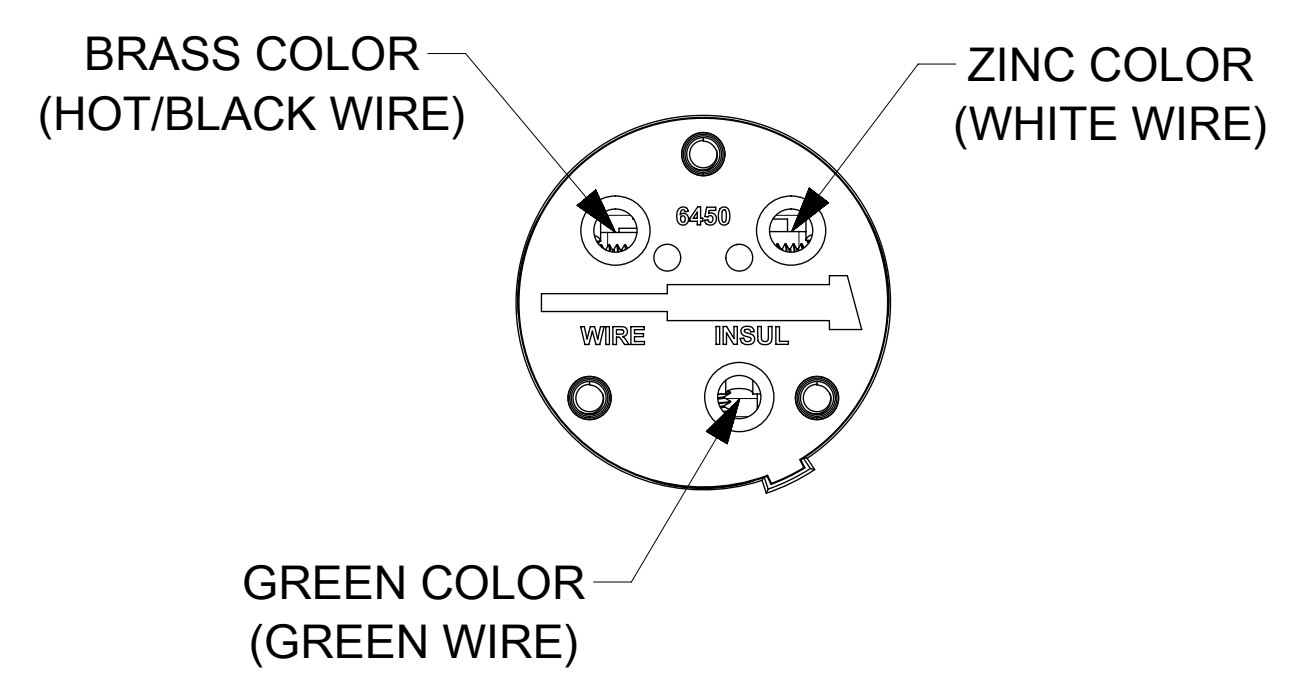
ORDER NO.	WOODHEAD NO.	COLOR
130144-0089	85547	TRANSPARENT



FACE VIEW

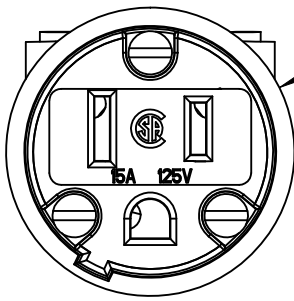
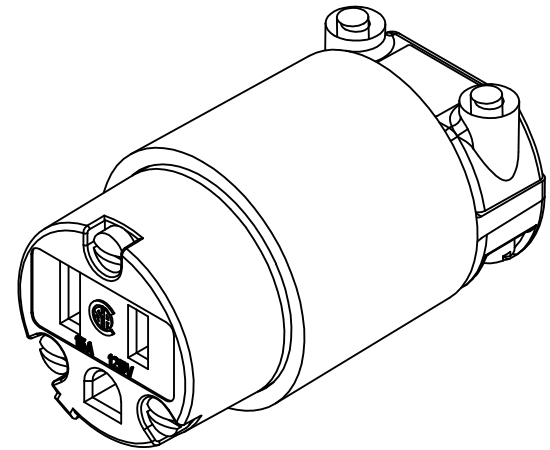
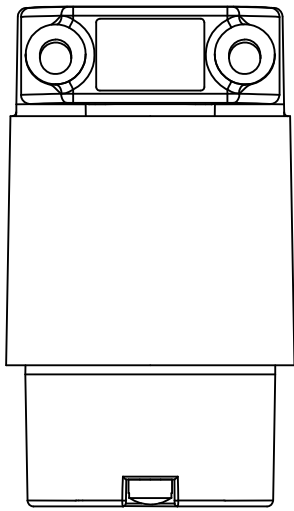


WIRING TERMINATION

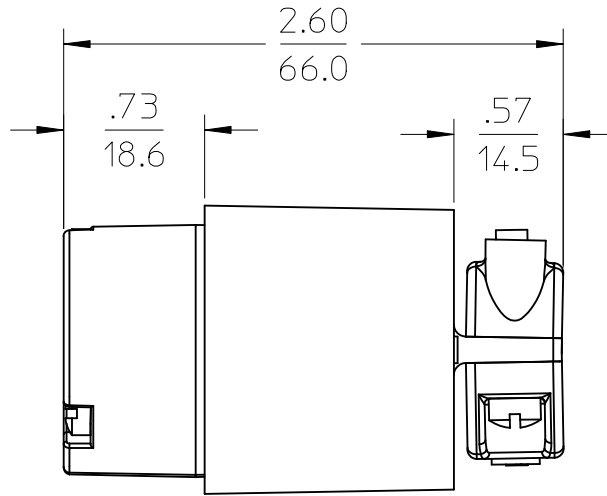


ITEM NO.	DESCRIPTIONS	MATERIAL	QTY.
1	BLADES	BRASS, NICKEL PLATED	3
2	RETAINING SCREWS	STAINLESS STEEL	3
3	TERMINAL SCREWS/CLAMP ASSEMBLY	BRASS, ZINC PLATED	3
4	INSERT	NYLON	1
5	TERMINAL COVER	POLYCARBONATE	1
6	HOUSING	NYLON	1
7	CLAMP CORD	NYLON	1
8	CLAMP CORD HALF	NYLON	1
9	RETAINING SCREWS	STAINLESS STEEL	2

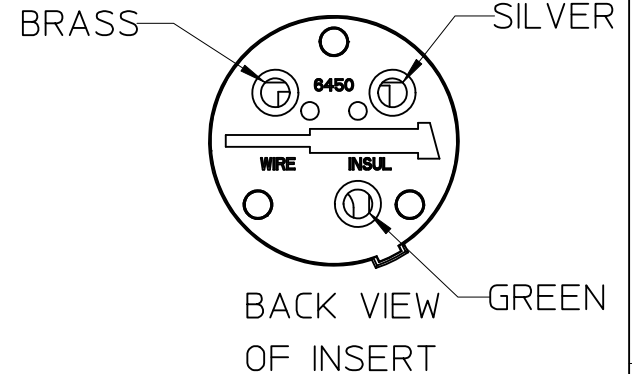
SYMBOLS DIMENSION UNITS: INCH[MM] SCALE: NTS CURRENT REV DESC: NEW RELEASE		molex HOSPITAL DUTY CONNECTOR 2P3W 5-15	
GENERAL TOLERANCES (UNLESS SPECIFIED) 4 PLACES ± 3 PLACES ± 2 PLACES ± 1 PLACE ± 0 PLACES ±		EC NO: 621204 DRWN: VBASUTHKARP 2019/06/05 CHK'D: DNGUYEN62 2019/11/12 APPR: HKNEELAND 2020/06/01	
DRAFT WHERE APPLICABLE MUST REMAIN WITHIN DIMENSIONS		PRODUCT CUSTOMER DRAWING DOCUMENT NUMBER: 1301440089 DOC TYPE: PSD DOC PART: 000 REVISION: A	
THIRD ANGLE PROJECTION		MATERIAL NUMBER: SEE TABLE CUSTOMER: GENERAL MARKET SHEET NUMBER: 1 OF 1	



Ø 1.50
38.1



MATERIAL #	ENGINEERING#
1301440089	85547



CUSTOMER DRAWING EC NO: WNA2010-0804 DRWN:HKNEELAND 2010/06/29 CH'KD:CYORK 2010/07/20 APPR:DTITUS 2010/07/23	QUALITY SYMBOLS ▽=0 ▽=0	GENERAL TOLERANCES (UNLESS SPECIFIED) <table border="1"> <thead> <tr> <th></th> <th>mm</th> <th>INCH</th> </tr> </thead> <tbody> <tr> <td>4 PLACES</td> <td>± .---</td> <td>± .---</td> </tr> <tr> <td>3 PLACES</td> <td>± .---</td> <td>± .005</td> </tr> <tr> <td>2 PLACES</td> <td>± 0.13</td> <td>± .010</td> </tr> <tr> <td>1 PLACE</td> <td>± 0.25</td> <td>± .020</td> </tr> </tbody> </table>		mm	INCH	4 PLACES	± .---	± .---	3 PLACES	± .---	± .005	2 PLACES	± 0.13	± .010	1 PLACE	± 0.25	± .020	DIMENSION STYLE IN/MM	SCALE 1:1	DESIGN UNITS INCH	THIRD ANGLE PROJECTION
		mm	INCH																		
	4 PLACES	± .---	± .---																		
	3 PLACES	± .---	± .005																		
2 PLACES	± 0.13	± .010																			
1 PLACE	± 0.25	± .020																			
A	REV	DRAFT WHERE APPLICABLE MUST REMAIN WITHIN DIMENSIONS	DRAWN BY HKNEELAND	DATE 2010/06/29	TITLE HOSPITAL GRADE NEMA 5-15 CONNECTOR TRANSPARENT																
			CHECKED BY CYORK	DATE 2010/07/20																	
			APPROVED BY DTITUS	DATE 2010/07/23	MOLEX INCORPORATED																
			MATERIAL NO. 85547	DOCUMENT NO. SD-130144-003			SHEET NO. 1 OF 1														
THIS DRAWING CONTAINS INFORMATION THAT IS PROPRIETARY TO MOLEX INCORPORATED AND SHOULD NOT BE USED WITHOUT WRITTEN PERMISSION																					