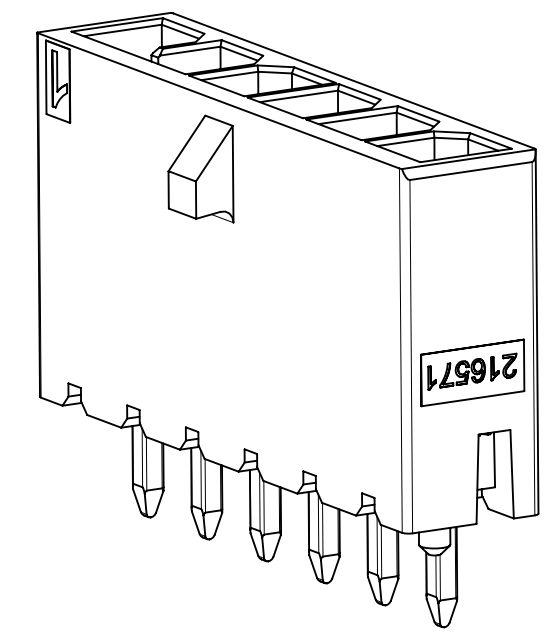
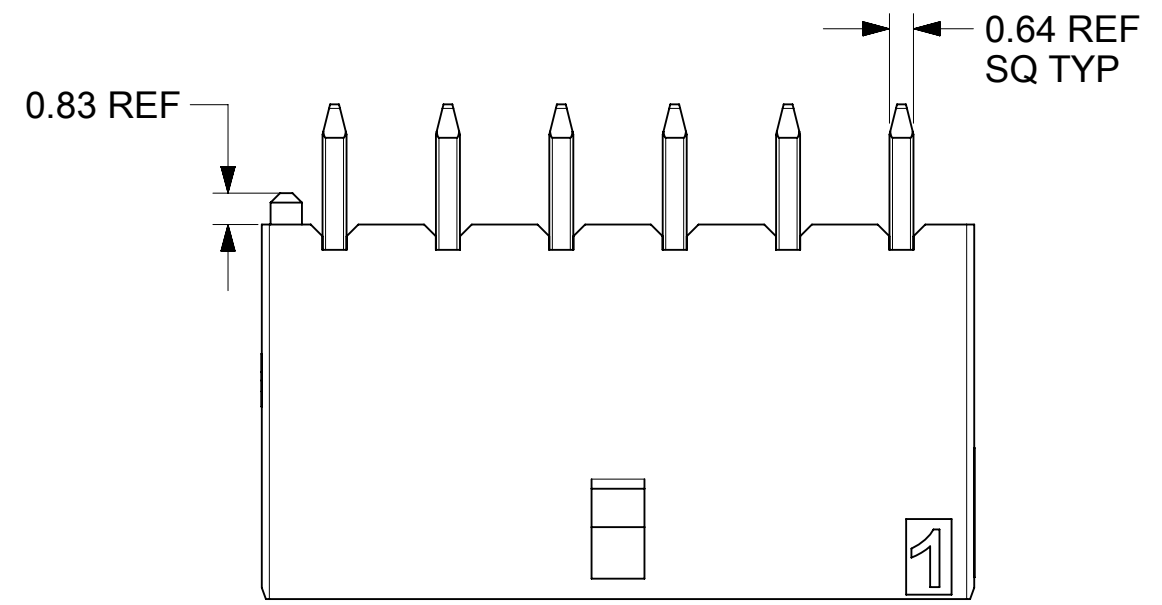


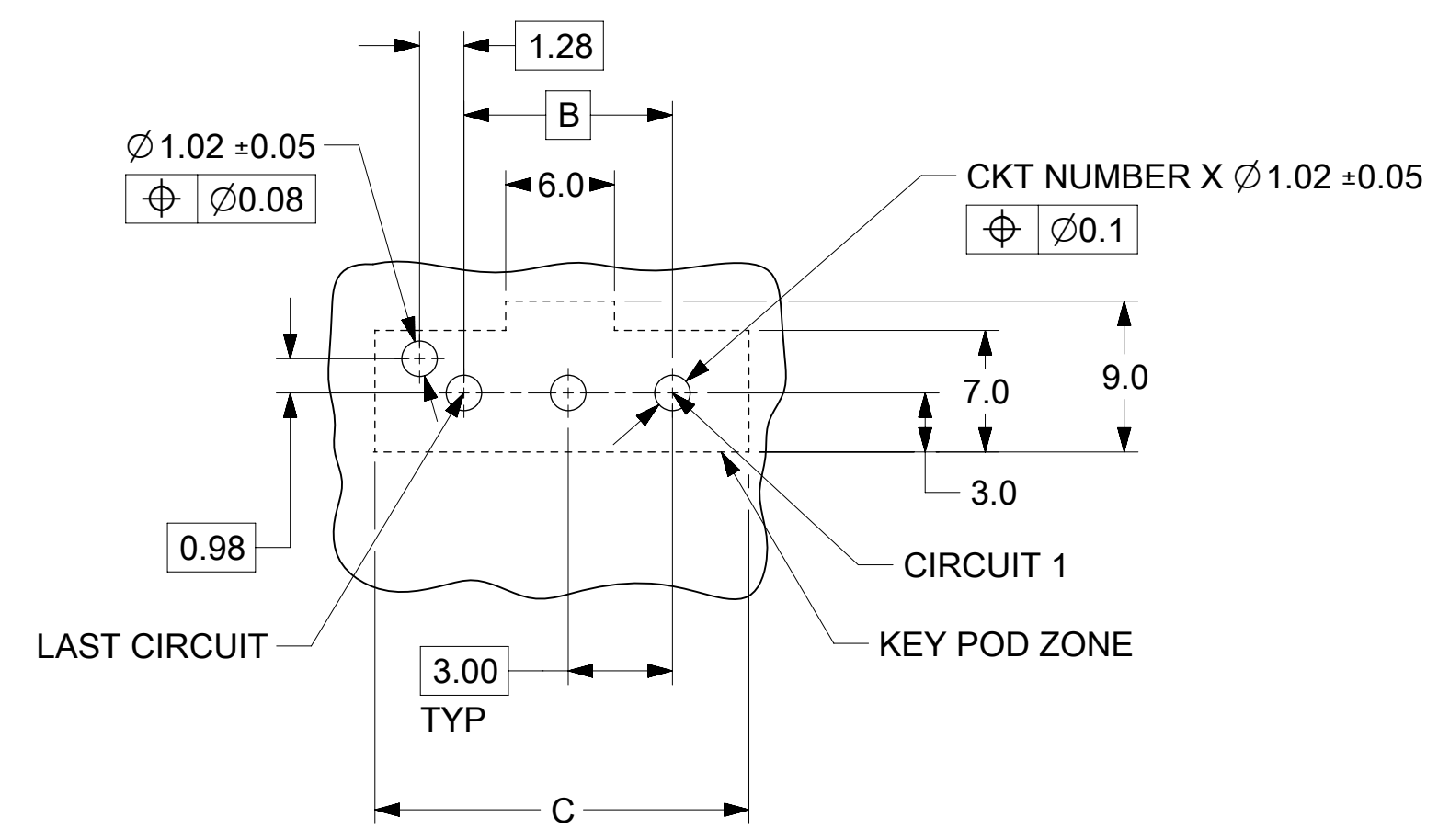
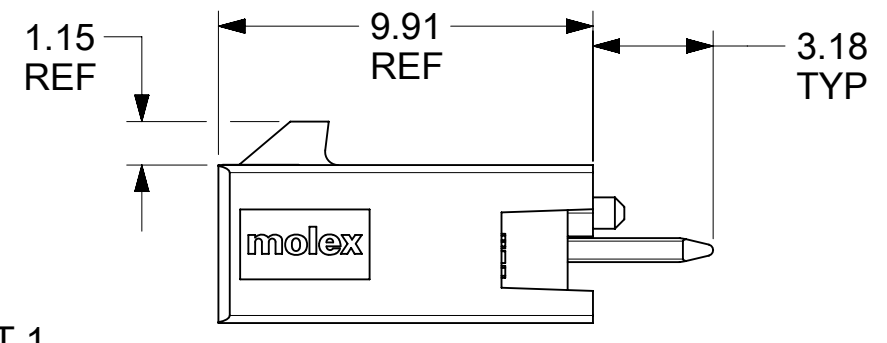
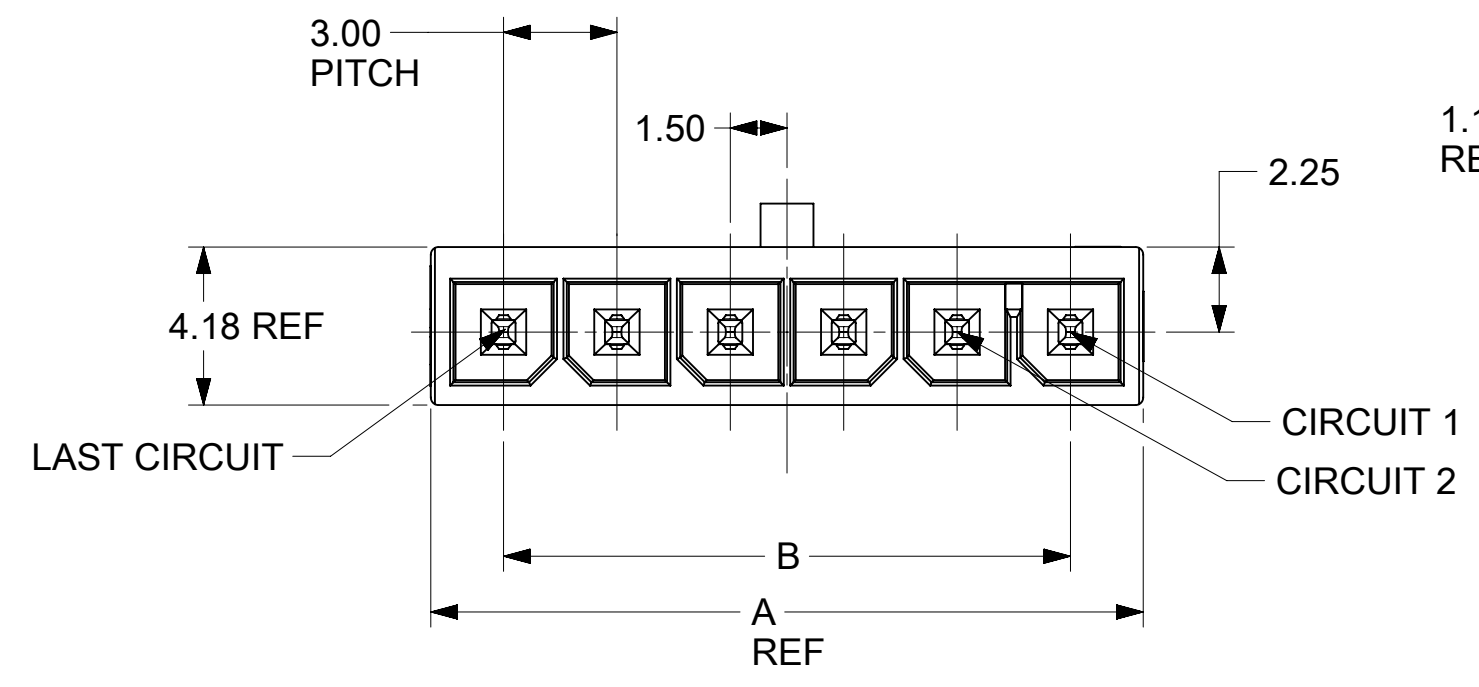
| CIRCUIT | A | B | C |
|---------|-------|-------|-------|
| 2 | 6.85 | 3.00 | 9.00 |
| 3 | 9.85 | 6.00 | 12.00 |
| 4 | 12.85 | 9.00 | 15.00 |
| 5 | 15.85 | 12.00 | 18.00 |
| 6 | 18.85 | 15.00 | 21.00 |
| 7 | 21.85 | 18.00 | 24.00 |
| 8 | 24.85 | 21.00 | 27.00 |



LEGEND

216571 - X 0 X X

- SERIES NO. []
- PLATING OPTION []
 - 1 :TIN
 - 2: 15MICROINCH AU
 - 3. 30MICROINCH AU
- POLARISATION/COLOR []
- CKT NO 2-8 . []



RECOMENDED PCB THICKNESS: .062/1.57 Max.

NOTES:

- HOSING MATERIAL: GLASS FILLED LIQUID CRYSTAL POLYMER, UL 94V-0,GLOW WIRE, COLOR : SEE TABLE
TERMINAL MATERIAL: HIGH COPPER ALLOY
- FINISH:
OPTION 1: TIN OVER NICKEL OVERALL
OPTION 2: SELECT 15MICROINCH GOLD AND SELECT MATTE TIN OVER NICKEL.
OPTION 3: SELECT 30MICROINCH GOLD AND SELECT MATTE TIN OVER NICKEL.
- PRODUCT SPECIFICATION : 2064600000-PS
- TRAY PACK : 2165710002-PK
- PRODUCT TEST SUMMARY: 2157590005-TS
- MATE WITH RECEPTACLE 215759
- THIS PART CONFORMS TO CLASS 'B' REQUIREMENTS OF COSMETIC SPECIFICATION PS-45499-002.

| | | | | | |
|--------------------|---|-------|--------------------------------|-----------------|---|
| FUNCTIONAL SYMBOLS | THIS DRAWING CONTAINS INFORMATION THAT IS PROPRIETARY TO MOLEX ELECTRONIC TECHNOLOGIES, LLC AND SHOULD NOT BE USED WITHOUT WRITTEN PERMISSION | | CURRENT REV DESC: | | molex |
| | DIMENSION UNITS | SCALE | | | |
| $\frac{F}{A} = 0$ | mm | 5:1 | | | MICRO-FIT PLUS VER HEADER ASSEMBLY |
| $\frac{E}{C} = 0$ | GENERAL TOLERANCES (UNLESS SPECIFIED) | | | | |
| $\frac{E}{P} = 0$ | ANGULAR TOL ± ° | | | | PRODUCT CUSTOMER DRAWING |
| DIVISIONAL SYMBOLS | 4 PLACES ± | | EC NO: 773727 | | |
| | 3 PLACES ± | | DRWN: VENKAS5 2024/01/10 | | |
| | 2 PLACES ± 0.25 | | CHK'D: MRAMAKRISHNA 2024/01/10 | | |
| | 1 PLACE ± 0.36 | | APPR: MRAMAKRISHNA 2024/01/10 | | |
| | 0 PLACES ± | | INITIAL REVISION: | | |
| | DRAFT WHERE APPLICABLE MUST REMAIN WITHIN DIMENSIONS | | DRWN: HPAN18 2020/10/15 | | DOCUMENT NUMBER 2165710003-SD |
| | THIRD ANGLE PROJECTION | | APPR: YXZHENG 2021/02/08 | | |
| | DRAWING | | SERIES | MATERIAL NUMBER | CUSTOMER |
| | C-SIZE | | 216571 | SEE NOTES | GENERAL MARKET |
| | | | | | SHEET NUMBER 1 OF 3 |

| TIN PLATING | | | | 15 MICROINCH GOLD | | | | 30 MICROINCH GOLD | | | | |
|-------------|-------------|--------------|-------|-------------------|-------------|--------------|-------|-------------------|-------------|--------------|-------|---------|
| CIRCUIT | PART NUMBER | POLARIZATION | COLOR | CIRCUIT | PART NUMBER | POLARIZATION | COLOR | CIRCUIT | PART NUMBER | POLARIZATION | COLOR | |
| H | 2 | 2165711002 | A | BLACK | 2 | 2165712002 | A | BLACK | 2 | 2165713002 | A | BLACK |
| | | 2165711012 | B | NATURAL | | 2165712012 | B | NATURAL | | 2165713012 | B | NATURAL |
| | | 2165711022 | C | RED | | 2165712022 | C | RED | | 2165713022 | C | RED |
| | | 2165711032 | D | BLUE | | 2165712032 | D | BLUE | | 2165713032 | D | BLUE |
| | | 2165711042 | E | YELLOW | | 2165712042 | E | YELLOW | | 2165713042 | E | YELLOW |
| G | 3 | 2165711003 | A | BLACK | 3 | 2165712003 | A | BLACK | 3 | 2165713003 | A | BLACK |
| | | 2165711013 | B | NATURAL | | 2165712013 | B | NATURAL | | 2165713013 | B | NATURAL |
| | | 2165711023 | C | RED | | 2165712023 | C | RED | | 2165713023 | C | RED |
| | | 2165711033 | D | BLUE | | 2165712033 | D | BLUE | | 2165713033 | D | BLUE |
| | | 2165711043 | E | YELLOW | | 2165712043 | E | YELLOW | | 2165713043 | E | YELLOW |
| G | 4 | 2165711004 | A | BLACK | 4 | 2165712004 | A | BLACK | 4 | 2165713004 | A | BLACK |
| | | 2165711014 | B | NATURAL | | 2165712014 | B | NATURAL | | 2165713014 | B | NATURAL |
| | | 2165711024 | C | RED | | 2165712024 | C | RED | | 2165713024 | C | RED |
| | | 2165711034 | D | BLUE | | 2165712034 | D | BLUE | | 2165713034 | D | BLUE |
| | | 2165711044 | E | YELLOW | | 2165712044 | E | YELLOW | | 2165713044 | E | YELLOW |
| F | 5 | 2165711005 | A | BLACK | 5 | 2165712005 | A | BLACK | 5 | 2165713005 | A | BLACK |
| | | 2165711015 | B | NATURAL | | 2165712015 | B | NATURAL | | 2165713015 | B | NATURAL |
| | | 2165711025 | C | RED | | 2165712025 | C | RED | | 2165713025 | C | RED |
| | | 2165711035 | D | BLUE | | 2165712035 | D | BLUE | | 2165713035 | D | BLUE |
| | | 2165711045 | E | YELLOW | | 2165712045 | E | YELLOW | | 2165713045 | E | YELLOW |
| E | 6 | 2165711006 | A | BLACK | 6 | 2165712006 | A | BLACK | 6 | 2165713006 | A | BLACK |
| | | 2165711016 | B | NATURAL | | 2165712016 | B | NATURAL | | 2165713016 | B | NATURAL |
| | | 2165711026 | C | RED | | 2165712026 | C | RED | | 2165713026 | C | RED |
| | | 2165711036 | D | BLUE | | 2165712036 | D | BLUE | | 2165713036 | D | BLUE |
| | | 2165711046 | E | YELLOW | | 2165712046 | E | YELLOW | | 2165713046 | E | YELLOW |
| E | 7 | 2165711007 | A | BLACK | 7 | 2165712007 | A | BLACK | 7 | 2165713007 | A | BLACK |
| | | 2165711017 | B | NATURAL | | 2165712017 | B | NATURAL | | 2165713017 | B | NATURAL |
| | | 2165711027 | C | RED | | 2165712027 | C | RED | | 2165713027 | C | RED |
| | | 2165711037 | D | BLUE | | 2165712037 | D | BLUE | | 2165713037 | D | BLUE |
| | | 2165711047 | E | YELLOW | | 2165712047 | E | YELLOW | | 2165713047 | E | YELLOW |
| D | 8 | 2165711008 | A | BLACK | 8 | 2165712008 | A | BLACK | 8 | 2165713008 | A | BLACK |
| | | 2165711018 | B | NATURAL | | 2165712018 | B | NATURAL | | 2165713018 | B | NATURAL |
| | | 2165711028 | C | RED | | 2165712028 | C | RED | | 2165713028 | C | RED |
| | | 2165711038 | D | BLUE | | 2165712038 | D | BLUE | | 2165713038 | D | BLUE |
| | | 2165711048 | E | YELLOW | | 2165712048 | E | YELLOW | | 2165713048 | E | YELLOW |

| | | | |
|--|---|---------------------------|---|
| FUNCTIONAL SYMBOLS | THIS DRAWING CONTAINS INFORMATION THAT IS PROPRIETARY TO MOLEX ELECTRONIC TECHNOLOGIES, LLC AND SHOULD NOT BE USED WITHOUT WRITTEN PERMISSION | | |
| | DIMENSION UNITS | SCALE | CURRENT REV DESC: |
| $\frac{F}{A} = 0$ | mm | 1:1 | <p>EC NO: 773727</p> <p>DRWN: VENKAS5 2024/01/10</p> <p>CHK'D: MRAMAKRISHNA 2024/01/10</p> <p>APPR: MRAMAKRISHNA 2024/01/10</p> <p>INITIAL REVISION:</p> <p>DRWN: HPAN18 2020/10/15</p> <p>APPR: YXZHENG 2021/02/08</p> |
| $\frac{F}{C} = 0$ | GENERAL TOLERANCES (UNLESS SPECIFIED) | | |
| $\frac{F}{P} = 0$ | ANGULAR TOL ± ° | | |
| DIVISIONAL SYMBOLS | 4 PLACES | ± | |
| | 3 PLACES | ± | |
| | 2 PLACES | ± 0.15 | |
| | 1 PLACE | ± 0.15 | |
| | 0 PLACES | ± | |
| DRAFT WHERE APPLICABLE MUST REMAIN WITHIN DIMENSIONS | | THIRD ANGLE PROJECTION | DRAWING C-SIZE |
| | | SERIES 216571 | DOCUMENT NUMBER 2165710003-SD |
| DOCUMENT STATUS P1 RELEASE DATE 2023/03/06 08:44:46 | | MATERIAL NUMBER SEE NOTES | CUSTOMER GENERAL MARKET |
| | | SHEET NUMBER 2 OF 3 | DOC TYPE PSD DOC PART 000 REVISION A3 |



MICRO-FIT PLUS VER HEADER ASSEMBLY

PRODUCT CUSTOMER DRAWING

