
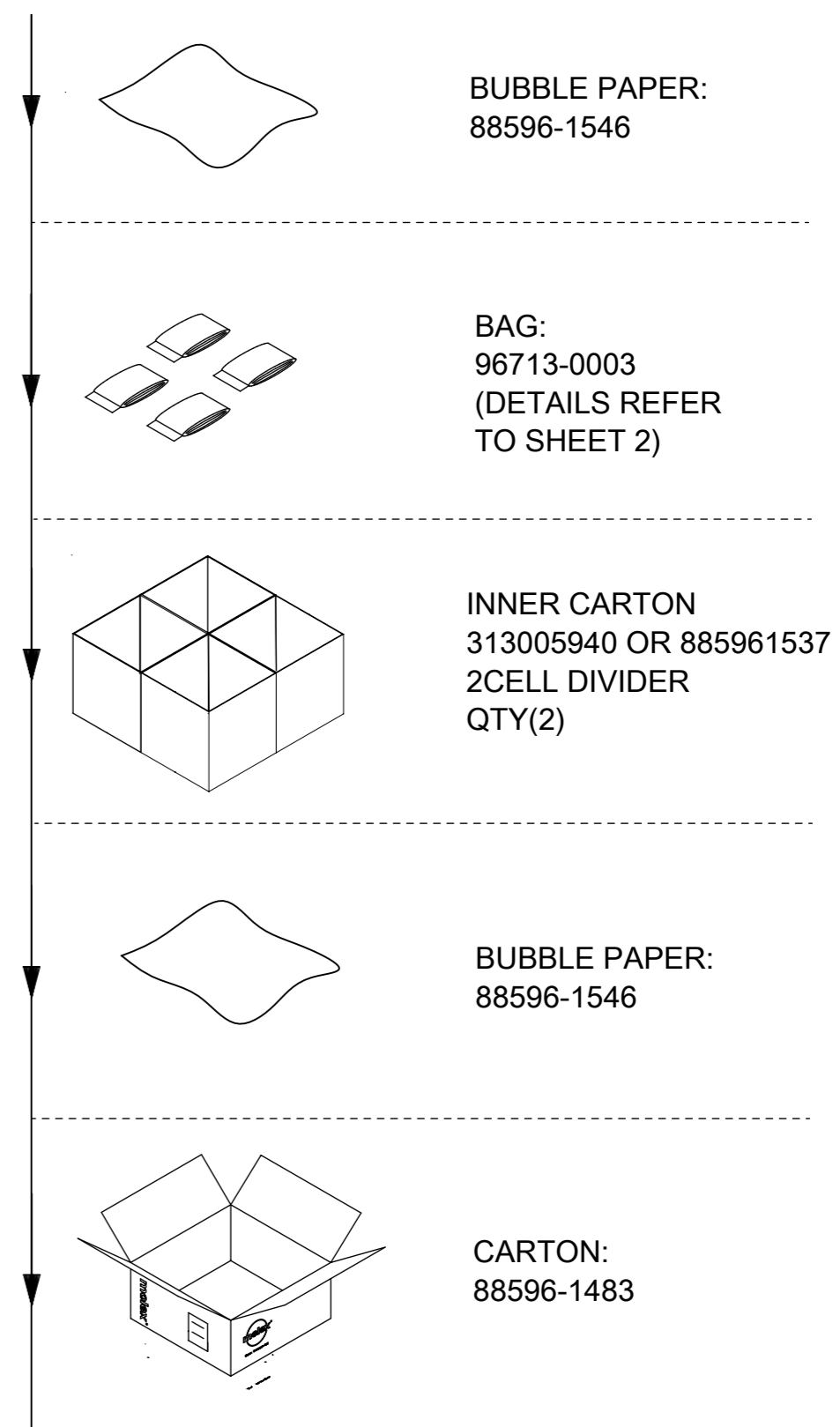


PART NUMBER	CKTS	QUANTITY PER BAG	BAGS PER CARTON	PARTS PER CARTON (SPQ)	MOISTURIZATION METHOD 	PANEL LOCK
215922-02*1	2	3000	4	12000	NO MOISTURIZATION	WITHOUT
215922-04*1	4	2600	4	10400		
215922-06*1	6	2000	4	8000		
215922-08*1	8	1700	4	6800		
215922-10*1	10	1400	4	5600		
215922-12*1	12	1000	4	4000		
215922-1401	14	800	4	3200		
215922-1601	16	800	4	3200		
215922-1801	18	600	4	2400		
215922-2001	20	600	4	2400		
215922-2201	22	600	4	2400		
215922-2401	24	450	4	1800		
215922-02*0	2	2000	4	8000	SEE SHEET 2	WITH
215922-04*0	4	1800	4	7200		
215922-06*0	6	1600	4	6400		
215922-08*0	8	1100	4	4400		
215922-10*0	10	1000	4	4000		
215922-12*0	12	900	4	3600		
215922-1400	14	800	4	3200		
215922-1600	16	700	4	2800		
215922-1800	18	600	4	2400		
215922-2000	20	600	4	2400		
215922-2200	22	400	4	1600		
215922-2400	24	350	4	1400		



TBD: NO PRODUCTION, TO BE ADDED AFTER BEING PRODUCED.

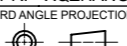
**LEGEND**

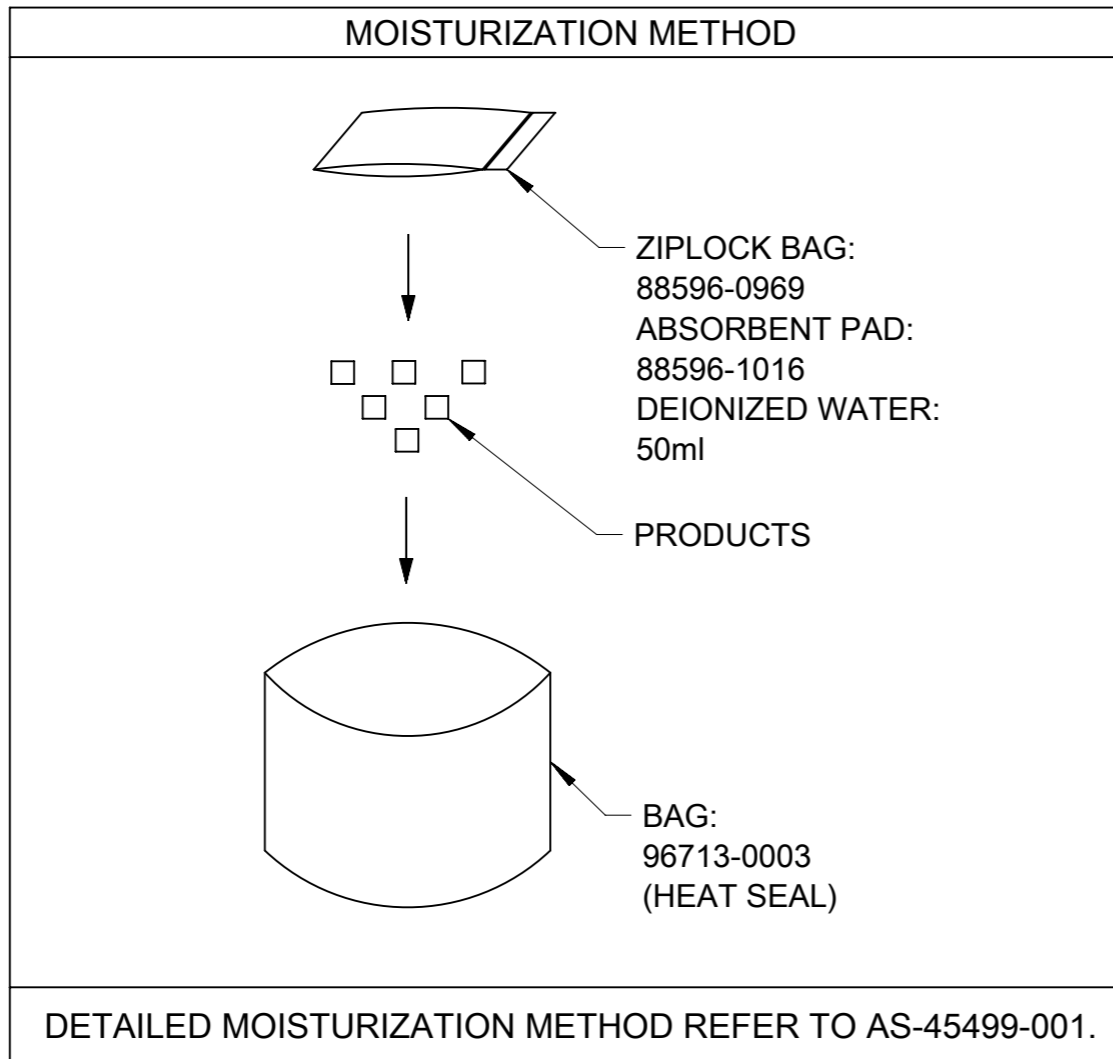
206461 - X X X X

- 0 - PANEL MOUNT
- 1 - FREE HANGING
- POLARIZATION / COLOR
- 0- BLACK
- 1 - NATURAL
- 2 - RED
- 3 - BLUE
- 4- YELLOW

CKT SIZE 02-24

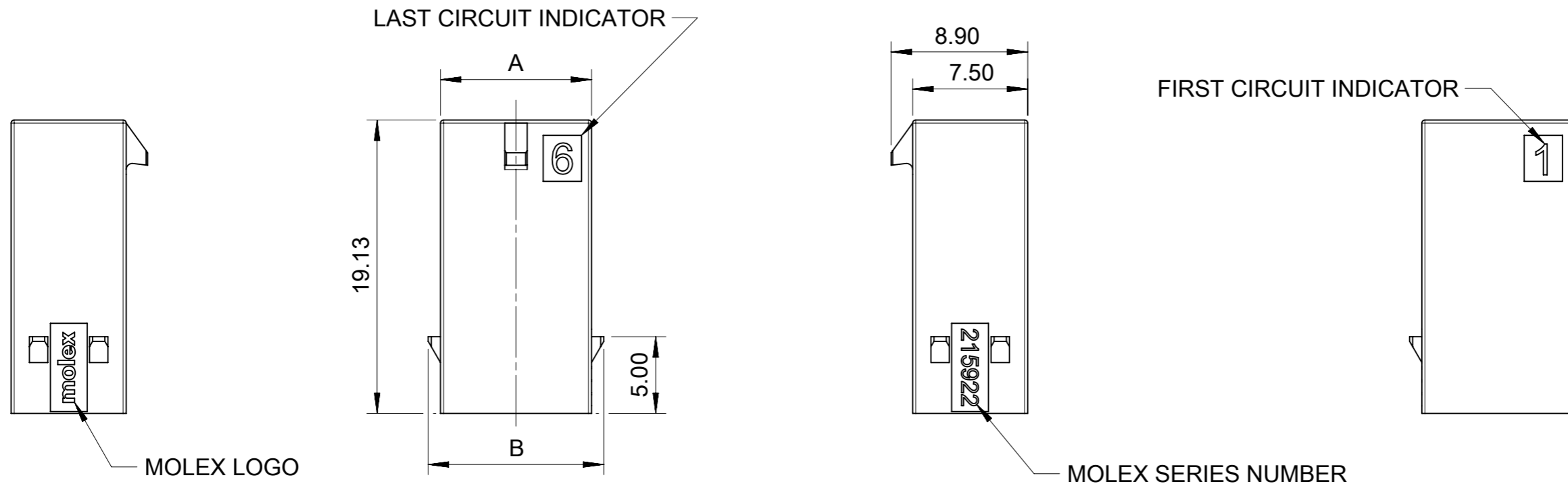
- NOTES:**
1. MOISTURIZATION METHOD DESCRIPTIONS REFER TO SHEET 2.
  2. STANDARD PACKAGE QUANTITY (SPQ) SEE ABOVE CHART.
  3. PACKAGE WAY FOLLOW RIGHT ILLUSTRATION.
  4. ALL PACKAGE MATERIAL AND PRODUCT COMPLIANT TO RoHS DIRECTIVE 2011/65/EU AND ELV DIRECTIVE 2000/53/EC.

FUNCTIONAL SYMBOLS	THIS DRAWING CONTAINS INFORMATION THAT IS PROPRIETARY TO MOLEX ELECTRONIC TECHNOLOGIES, LLC AND SHOULD NOT BE USED WITHOUT WRITTEN PERMISSION		CURRENT REV DESC:		<b>molex</b>
	THIS DRAWING CONTAINS INFORMATION THAT IS PROPRIETARY TO MOLEX ELECTRONIC TECHNOLOGIES, LLC AND SHOULD NOT BE USED WITHOUT WRITTEN PERMISSION	SCALE	EC NO: 736922		
$\nabla_A = 0$	mm	1:1	DRWN: VENKAS5	2023/01/18	PRODUCT CUSTOMER DRAWING
$\nabla_E = 0$	GENERAL TOLERANCES (UNLESS SPECIFIED)		CHK'D: VENKAS5	2023/02/03	
$\nabla_F = 0$	ANGULAR TOL ± °		APPR: MRAMAKRISHNA	2023/02/03	DOCUMENT NUMBER
DIVISIONAL SYMBOLS	4 PLACES ±	*	INITIAL REVISION:	2021/10/28	2159220000-PK
	3 PLACES ±	0.1	DRWN: GLLI	2021/11/15	PSD 000 C
	2 PLACES ±	0.3	APPR: XQZHANG		
	1 PLACE ±	0.5			
	0 PLACES ±				
DRAFT WHERE APPLICABLE MUST REMAIN WITHIN DIMENSIONS	THIRD ANGLE PROJECTION	DRAWING	SERIES	MATERIAL NUMBER	CUSTOMER
		A3-SIZE	215922		SHEET NUMBER
					1 OF 2



FUNCTIONAL SYMBOLS	THIS DRAWING CONTAINS INFORMATION THAT IS PROPRIETARY TO MOLEX ELECTRONIC TECHNOLOGIES, LLC AND SHOULD NOT BE USED WITHOUT WRITTEN PERMISSION		<b>molex</b>		
	$\nabla_A = 0$ $\nabla_E = 0$ $\nabla_P = 0$	DIMENSION UNITS: <b>mm</b> SCALE: <b>1:1</b>			
DIVISIONAL SYMBOLS	GENERAL TOLERANCES (UNLESS SPECIFIED)		2023/01/18 2023/02/03 2023/02/03		
	ANGULAR TOL ± °		PRODUCT CUSTOMER DRAWING		
	4 PLACES ±		DOCUMENT NUMBER: <b>2159220000-PK</b>		
	3 PLACES ± 0.1		DOC TYPE: PSD DOC PART: 000 REVISION: C		
2 PLACES ± 0.3		INITIAL REVISION: DRWN: GLLI APPR: XQZHANG			
1 PLACE ± 0.5		2021/10/28 2021/11/15			
0 PLACES ±		MATERIAL NUMBER: <b>215922</b> CUSTOMER:			
DRAFT WHERE APPLICABLE MUST REMAIN WITHIN DIMENSIONS		THIRD ANGLE PROJECTION 	DRAWING: <b>A3-SIZE</b>	SERIES: <b>215922</b>	SHEET NUMBER: <b>2 OF 2</b>

# FREE HANGING PLUG PARTS

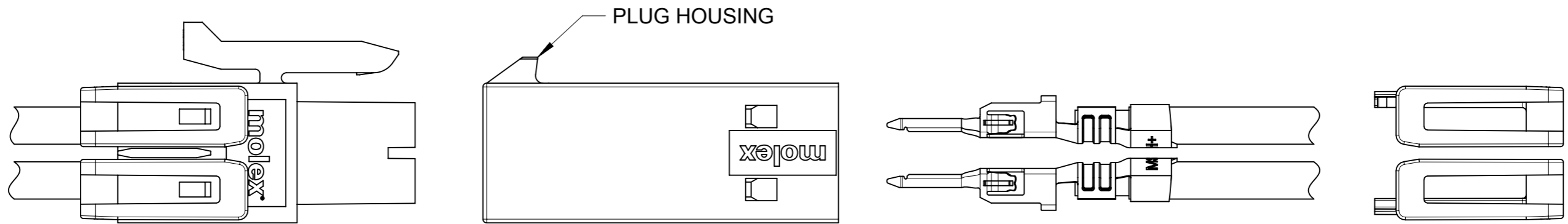
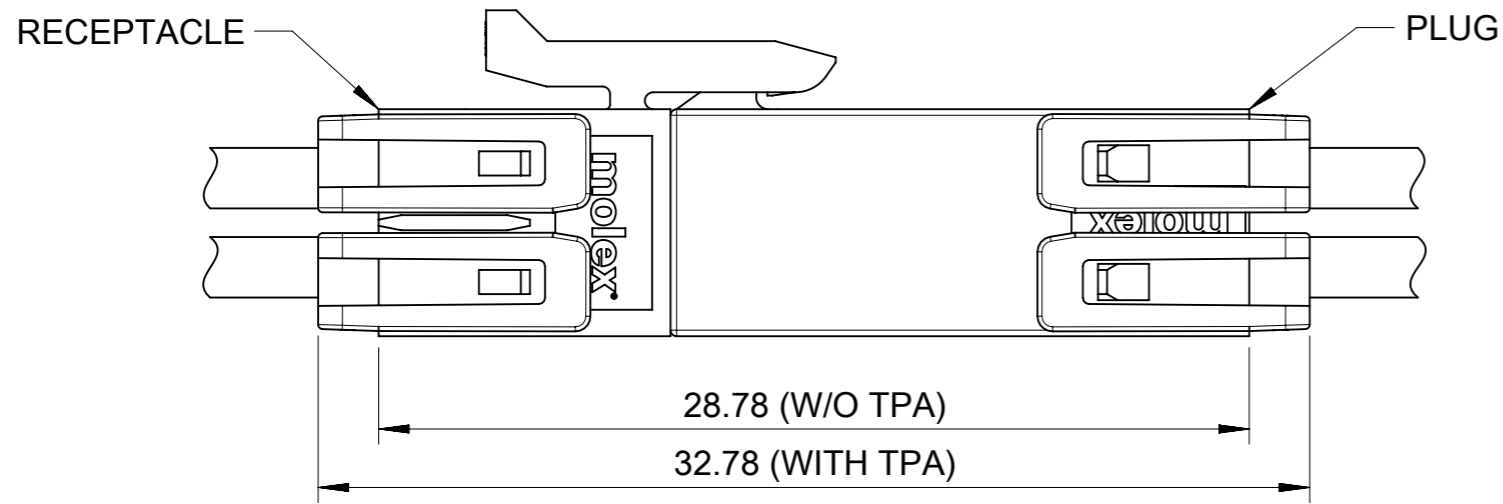


DIM'A'	DIM'B'	CKT SIZE
3.85	5.45	2
6.85	8.45	4
9.85	11.45	6
12.85	14.45	8
15.85	17.45	10
18.85	20.45	12
21.85	23.45	14
24.85	26.45	16
27.85	29.45	18
30.85	32.45	20
33.85	35.45	22
36.85	38.45	24

- NOTES:
1. MATERIAL: PA66, 94V-0, COLOR : SEE TABLE IN SHEET 5
  2. PRODUCT SPECIFICATION: 2159530000-PS.
  3. PACKAGE SPECIFICATION: 2159220000-PK.
  4. TO USE WITH TERMINAL OF 2015953-\*\*\*\*.
  5. TO USE WITH TPA OF 206462-\*\*\*\*.
  6. TO MATE WITH RECEPTACLE OF 206461-\*\*\*\*.
  7. PARTS CONFORM TO CLASS 'B' REQUIREMENTS OF COSMETIC SPECIFICATION PS-45499-002.

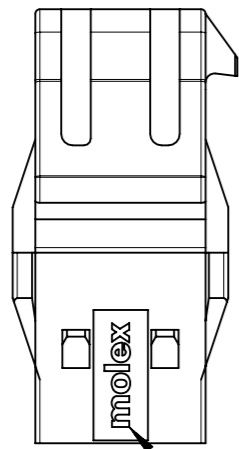
FUNCTIONAL SYMBOLS	THIS DRAWING CONTAINS INFORMATION THAT IS PROPRIETARY TO MOLEX ELECTRONIC TECHNOLOGIES, LLC AND SHOULD NOT BE USED WITHOUT WRITTEN PERMISSION		CURRENT REV DESC:		<b>molex</b>
	△/A = 0	mm			
DIVISIONAL SYMBOLS	GENERAL TOLERANCES (UNLESS SPECIFIED)		EC NO: 760703 DRWN: VENKAS5 CHK'D: VENKAS5 APPR: MRAMAKRISHNA		PLUG HOUSING OF MICRO-FIT PLUS WTW DR POWER CONNECTOR
	△/E = 0	ANGULAR TOL ± °			
DIVISIONAL SYMBOLS	4 PLACES	±	2023/02/28		PRODUCT CUSTOMER DRAWING
	3 PLACES	±	2023/08/24		
	2 PLACES	± 0.2	2023/08/24		
	1 PLACE	± 0.3	INITIAL REVISION:		
0 PLACES	±	DRWN: GLLI APPR: XQZHANG		DOCUMENT NUMBER	
DRAFT WHERE APPLICABLE MUST REMAIN WITHIN DIMENSIONS		THIRD ANGLE PROJECTION	DRAWING	SERIES	MATERIAL NUMBER
			A3-SIZE	215922	2159220000-SD
					CUSTOMER
					GENERAL MARKET
					SHEET NUMBER
					1 OF 6

# FREE HANGING PLUG PARTS

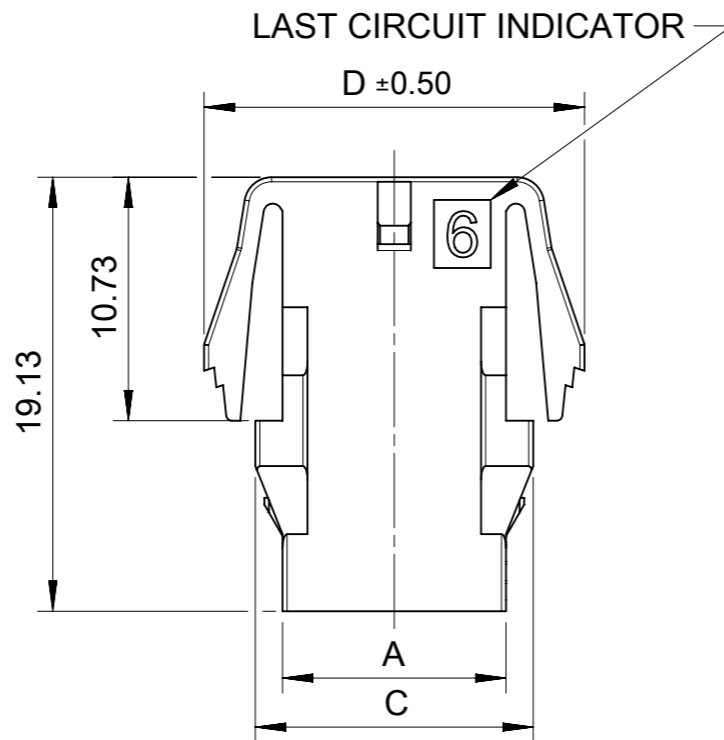


FUNCTIONAL SYMBOLS	THIS DRAWING CONTAINS INFORMATION THAT IS PROPRIETARY TO MOLEX ELECTRONIC TECHNOLOGIES, LLC AND SHOULD NOT BE USED WITHOUT WRITTEN PERMISSION		CURRENT REV DESC:		<b>molex</b>				
	△/A = 0	mm						SCALE 1:1	
DIVISIONAL SYMBOLS	GENERAL TOLERANCES (UNLESS SPECIFIED)		EC NO: 760703 DRWN: VENKAS5 2023/02/28 CHK'D: VENKAS5 2023/08/24 APPR: MRAMAKRISHNA 2023/08/24		PLUG HOUSING OF MICRO-FIT PLUS WTW DR POWER CONNECTOR				
	ANGULAR TOL ± °				PRODUCT CUSTOMER DRAWING				
	4 PLACES ±				DOCUMENT NUMBER		DOC TYPE	DOC PART	REVISION
	3 PLACES ±				2159220000-SD		PSD	000	B
	2 PLACES ± 0.2				MATERIAL NUMBER		CUSTOMER		
1 PLACE ± 0.3		215922		GENERAL MARKET					
0 PLACES ±		SERIES		SHEET NUMBER					
DRAFT WHERE APPLICABLE MUST REMAIN WITHIN DIMENSIONS		THIRD ANGLE PROJECTION	DRAWING	A3-SIZE		2 OF 6			

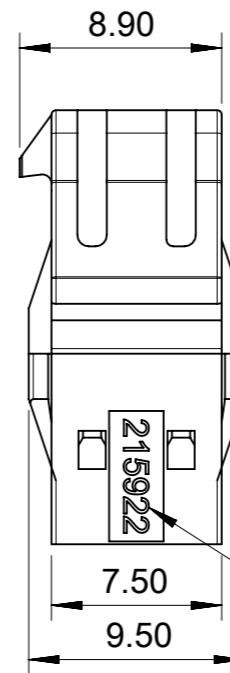
# PANEL MOUNT PLUG PARTS



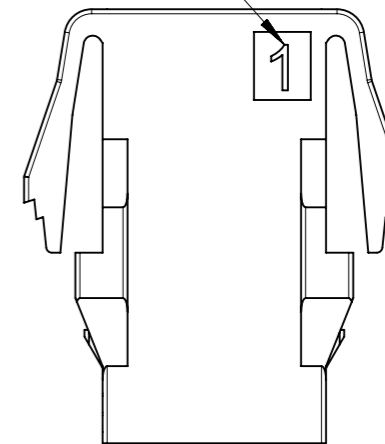
MOLEX LOGO



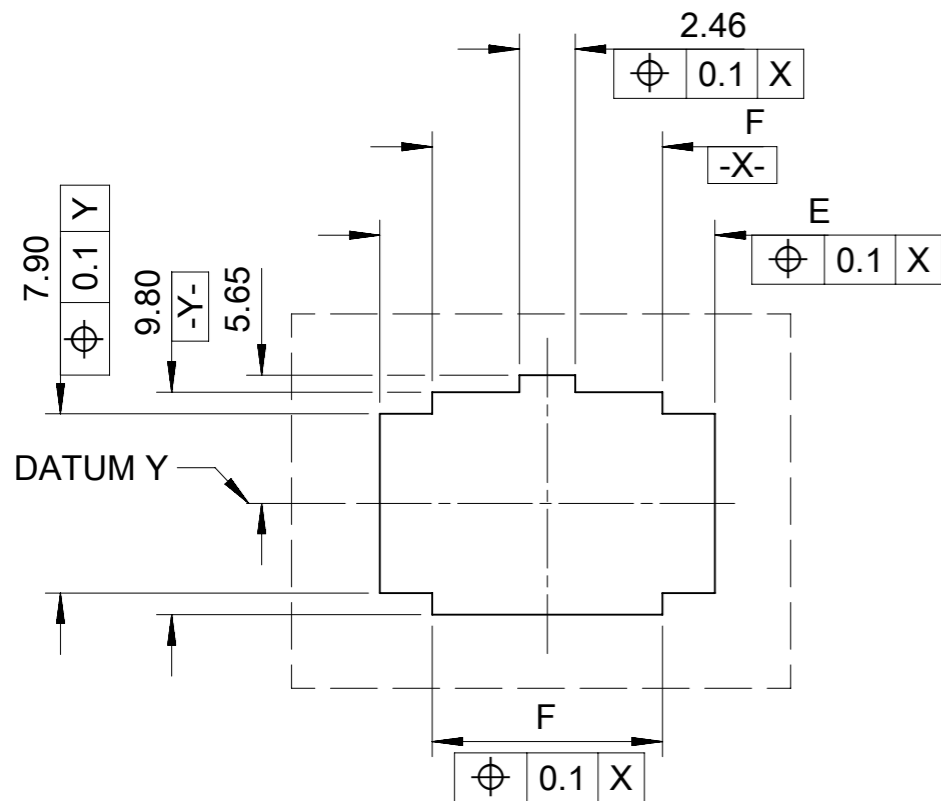
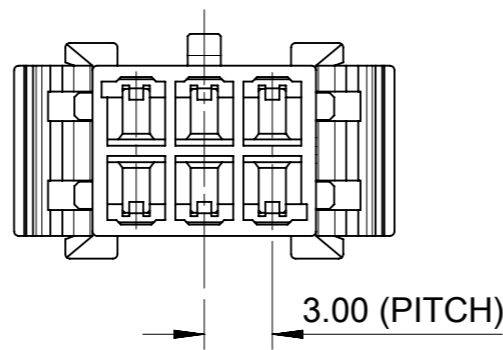
LAST CIRCUIT INDICATOR



FIRST CIRCUIT INDICATOR



MOLEX SERIES NUMBER

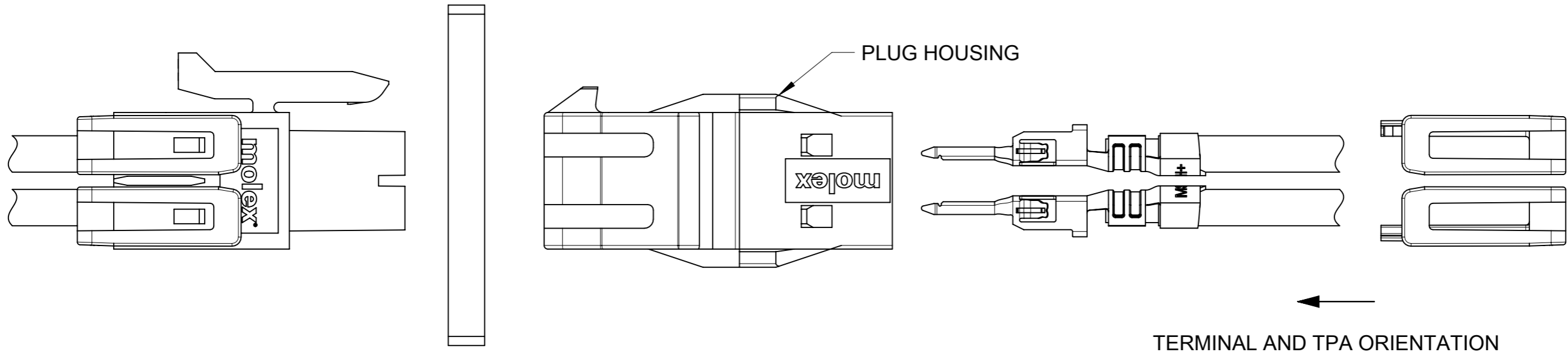
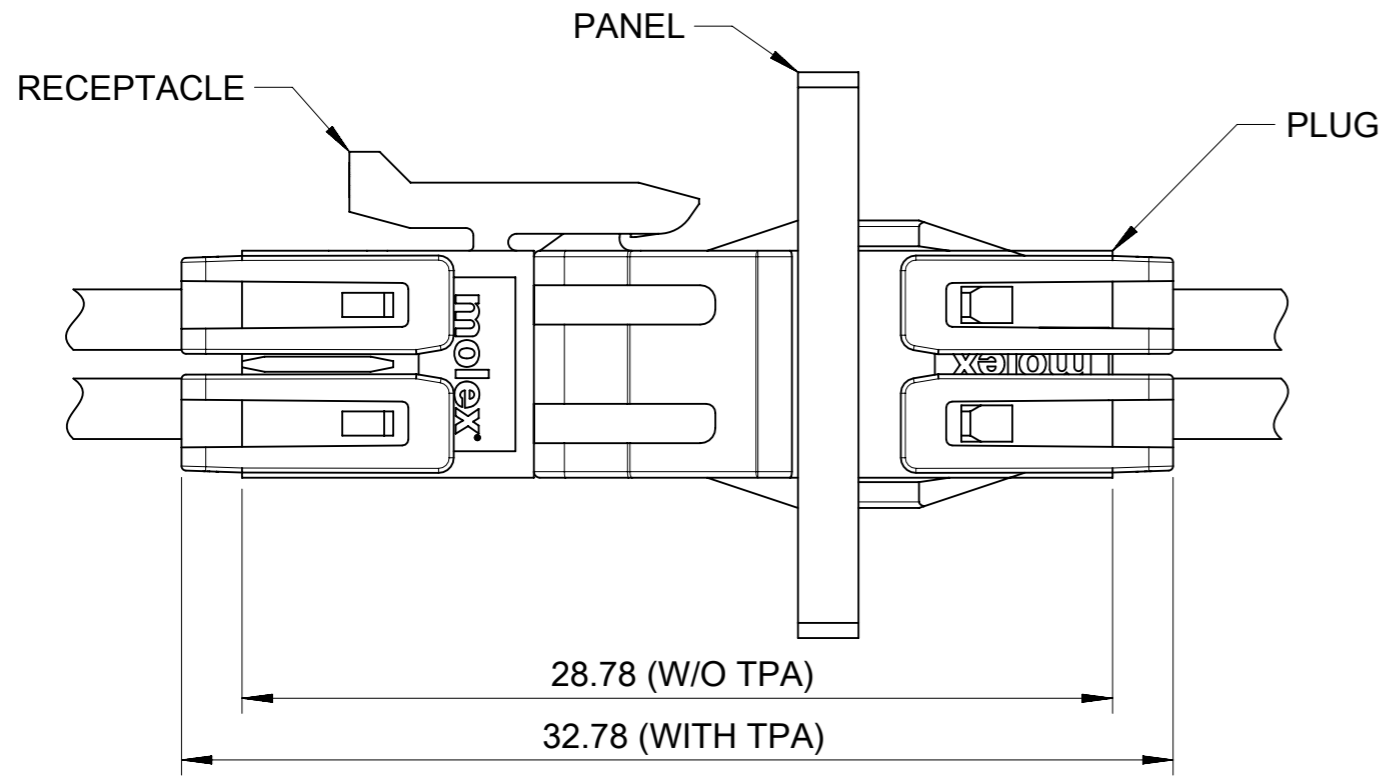


RECOMMENDED PANEL CUT OUT  
(TOLERRANCE +/-0.05 THICKNESS=1.2~2.2MM)

DIM 'A'	DIM 'C'	DIM 'D'	DIM 'E'	DIM 'F'	CKT SIZE
3.85	6.25	10.77	8.77	4.15	2
6.85	9.25	13.77	11.77	7.15	4
9.85	12.25	16.77	14.77	10.15	6
12.85	15.25	19.77	17.77	13.15	8
15.85	18.25	22.77	20.77	16.15	10
18.85	21.25	25.77	23.77	19.15	12
21.85	24.25	28.77	26.77	22.15	14
24.85	27.25	31.77	29.77	25.15	16
27.85	30.25	34.77	32.77	28.15	18
30.85	33.25	37.77	35.77	31.15	20
33.85	36.25	40.77	38.77	34.15	22
36.85	39.25	43.77	41.77	37.15	24

FUNCTIONAL SYMBOLS	THIS DRAWING CONTAINS INFORMATION THAT IS PROPRIETARY TO MOLEX ELECTRONIC TECHNOLOGIES, LLC AND SHOULD NOT BE USED WITHOUT WRITTEN PERMISSION	CURRENT REV DESC:		<b>molex</b>
	DIMENSION UNITS: <b>mm</b> SCALE: <b>1:1</b> GENERAL TOLERANCES (UNLESS SPECIFIED) ANGULAR TOL ± ° 4 PLACES ± 3 PLACES ± 2 PLACES ± 0.2 1 PLACE ± 0.3 0 PLACES ±	EC NO: 760703 DRWN: VENKASS 2023/02/28 CHK'D: VENKASS 2023/08/24 APPR: MRAMAKRISHNA 2023/08/24		
DIVISIONAL SYMBOLS	DRAFT WHERE APPLICABLE MUST REMAIN WITHIN DIMENSIONS	THIRD ANGLE PROJECTION 	DRAWING: <b>A3-SIZE</b> SERIES: <b>215922</b>	PRODUCT CUSTOMER DRAWING DOCUMENT NUMBER: <b>2159220000-SD</b> DOC TYPE: PSD DOC PART: 000 REVISION: <b>B</b>
	MATERIAL NUMBER: <b>215922</b> CUSTOMER: <b>GENERAL MARKET</b>		SHEET NUMBER: <b>3 OF 6</b>	

# PANEL MOUNT PLUG PARTS


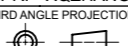


←  
TERMINAL AND TPA ORIENTATION

FUNCTIONAL SYMBOLS	THIS DRAWING CONTAINS INFORMATION THAT IS PROPRIETARY TO MOLEX ELECTRONIC TECHNOLOGIES, LLC AND SHOULD NOT BE USED WITHOUT WRITTEN PERMISSION		<div style="text-align: center; font-size: 24pt; font-weight: bold;">molex</div>										
	$\nabla_A = 0$ $\nabla_E = 0$ $\nabla_P = 0$	DIMENSION UNITS: <b>mm</b> SCALE: <b>1:1</b>					CURRENT REV DESC:		PLUG HOUSING OF MICRO-FIT PLUS WTW DR POWER CONNECTOR				
DIVISIONAL SYMBOLS	GENERAL TOLERANCES (UNLESS SPECIFIED)		EC NO: 760703		2023/02/28								
	ANGULAR TOL ± °		DRWN: VENKAS5		2023/08/24								
	4 PLACES ±		CHK'D: VENKAS5		2023/08/24								
	2 PLACES ± 0.2		APPR: MRAMAKRISHNA		2023/08/24								
	1 PLACE ± 0.3		INITIAL REVISION:										
0 PLACES ±		DRWN: GLLI		2021/01/29									
DRAFT WHERE APPLICABLE MUST REMAIN WITHIN DIMENSIONS		THIRD ANGLE PROJECTION		DRAWING		SERIES		MATERIAL NUMBER		CUSTOMER		SHEET NUMBER	
				A3-SIZE		215922		2159220000-SD		GENERAL MARKET		4 OF 6	

FREE HANGING				PANEL MOUNT			
PART NUMBER	CKT	POLARIZATION	COLOR	PART NUMBER	CKT	POLARIZATION	COLOR
215922-0201	2	A	BLACK	215922-0200	2	A	BLACK
215922-0211		B	NATURAL	2159220210		B	NATURAL
215922-0221		C	RED	2159220220		C	RED
215922-0231		D	BLUE	2159220230		D	BLUE
215922-0241		E	YELLOW	2159220240		E	YELLOW
215922-0401	4	A	BLACK	215922-0400	4	A	BLACK
215922-0411		B	NATURAL	2159220410		B	NATURAL
215922-0421		C	RED	2159220420		C	RED
215922-0431		D	BLUE	2159220430		D	BLUE
215922-0441		E	YELLOW	2159220440		E	YELLOW
215922-0601	6	A	BLACK	215922-0600	6	A	BLACK
215922-0611		B	NATURAL	2159220610		B	NATURAL
215922-0621		C	RED	2159220620		C	RED
215922-0631		D	BLUE	2159220630		D	BLUE
215922-0641		E	YELLOW	2159220640		E	YELLOW
215922-0801	8	A	BLACK	215922-0800	8	A	BLACK
215922-0811		B	NATURAL	2159220810		B	NATURAL
215922-0821		C	RED	2159220820		C	RED
215922-0831		D	BLUE	2159220830		D	BLUE
215922-0841		E	YELLOW	2159220840		E	YELLOW
215922-1001	10	A	BLACK	215922-1000	10	A	BLACK
215922-1011		B	NATURAL	2159221010		B	NATURAL
215922-1021		C	RED	2159221020		C	RED
215922-1031		D	BLUE	2159221030		D	BLUE
215922-1041		E	YELLOW	2159221040		E	YELLOW
215922-1201	12	A	BLACK	215922-1200	12	A	BLACK
215922-1211		B	NATURAL	2159221210		B	NATURAL
215922-1221		C	RED	2159221220		C	RED
215922-1231		D	BLUE	2159221230		D	BLUE
215922-1241		E	YELLOW	2159221240		E	YELLOW
215922-1401	14	A	BLACK	215922-1400	14	A	BLACK
215922-1601	16	A	BLACK	215922-1600	16	A	BLACK
215922-1801	18	A	BLACK	215922-1800	18	A	BLACK
215922-2001	20	A	BLACK	215922-2000	20	A	BLACK
215922-2201	22	A	BLACK	215922-2200	22	A	BLACK
215922-2401	24	A	BLACK	215922-2400	24	A	BLACK

FUNCTIONAL SYMBOLS	THIS DRAWING CONTAINS INFORMATION THAT IS PROPRIETARY TO MOLEX ELECTRONIC TECHNOLOGIES, LLC AND SHOULD NOT BE USED WITHOUT WRITTEN PERMISSION		CURRENT REV DESC:						
	$\nabla_A = 0$ $\nabla_E = 0$ $\nabla_P = 0$	DIMENSION UNITS: <b>mm</b> SCALE: <b>1:1</b>						GENERAL TOLERANCES (UNLESS SPECIFIED) ANGULAR TOL ± °	
DIVISIONAL SYMBOLS	4 PLACES ±	EC NO: 760703	DRWN: VENKAS5	2023/02/28	PRODUCT CUSTOMER DRAWING				
	3 PLACES ±	APPR: MRAMAKRISHNA	2023/08/24	2023/08/24					
	2 PLACES ± 0.2	INITIAL REVISION:		DRWN: GLLI	2021/01/29	DOCUMENT NUMBER	DOC TYPE	DOC PART	REVISION
	1 PLACE ± 0.3	APPR: XQZHANG		2021/11/15	2021/11/15	2159220000-SD	PSD	000	B
0 PLACES ±	DRAFT WHERE APPLICABLE MUST REMAIN WITHIN DIMENSIONS		THIRD ANGLE PROJECTION	DRAWING	SERIES	MATERIAL NUMBER	CUSTOMER	SHEET NUMBER	
				A3-SIZE	215922	GENERAL MARKET		5 OF 6	

DOCUMENT STATUS	P1	RELEASE DATE	2023/08/24	11:19:06
-----------------	----	--------------	------------	----------

CKT	POLARIZATION "A" - BLACK	POLARIZATION "B" - NATURAL	POLARIZATION "C" - RED	POLARIZATION "D" - BLUE	POLARIZATION "E" - YELLOW
2					
4					
6					
8					
10					
12					

CKT	POLARIZATION "A" - BLACK
14	
16	
18	
20	
22	
24	

FUNCTIONAL SYMBOLS		THIS DRAWING CONTAINS INFORMATION THAT IS PROPRIETARY TO MOLEX ELECTRONIC TECHNOLOGIES, LLC AND SHOULD NOT BE USED WITHOUT WRITTEN PERMISSION		CURRENT REV DESC:	
$F_A = 0$	DIMENSION UNITS	SCALE	EC NO: 760703		
$F_C = 0$	mm	3:1	DRWN: VENKAS5 2023/02/28		
$F_P = 0$	GENERAL TOLERANCES (UNLESS SPECIFIED)		CHK'D: VENKAS5 2023/08/24		
DIVISIONAL SYMBOLS		ANGULAR TOL ± °	APPR: MRAMAKRISHNA 2023/08/24		
		4 PLACES ±	INITIAL REVISION:		
		3 PLACES ±	DRWN: GLLI 2021/01/29		
		2 PLACES ± 0.2	APPR: XQZHANG 2021/11/15		
		1 PLACE ± 0.3	MATERIAL NUMBER		
		0 PLACES ±	215922		
DRAFT WHERE APPLICABLE MUST REMAIN WITHIN DIMENSIONS		THIRD ANGLE PROJECTION	DRAWING	SERIES	CUSTOMER
			A2-SIZE	215922	GENERAL MARKET
		DOCUMENT NUMBER		DOC TYPE	DOC PART
		2159220000-SD		PSD	000
		SHEET NUMBER		REVISION	
		6 OF 6		B	