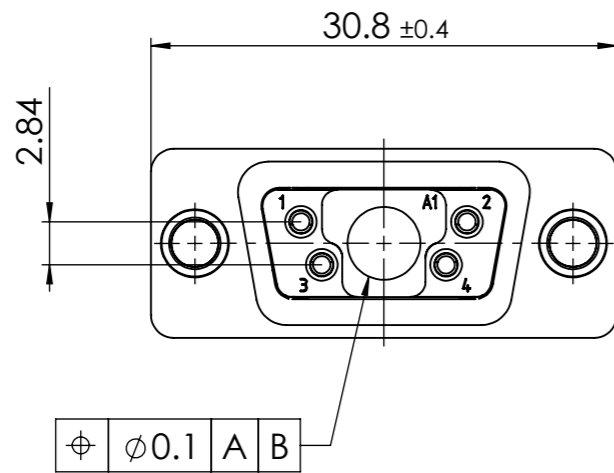
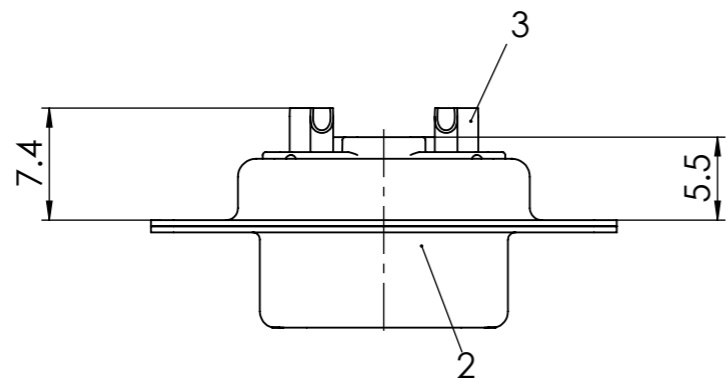
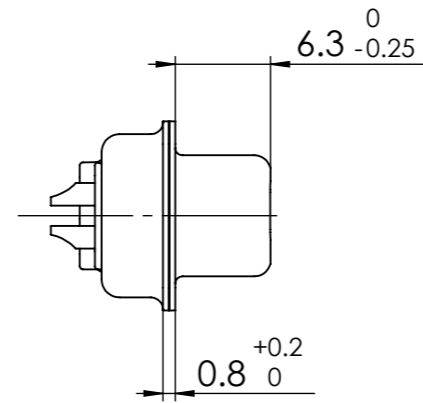
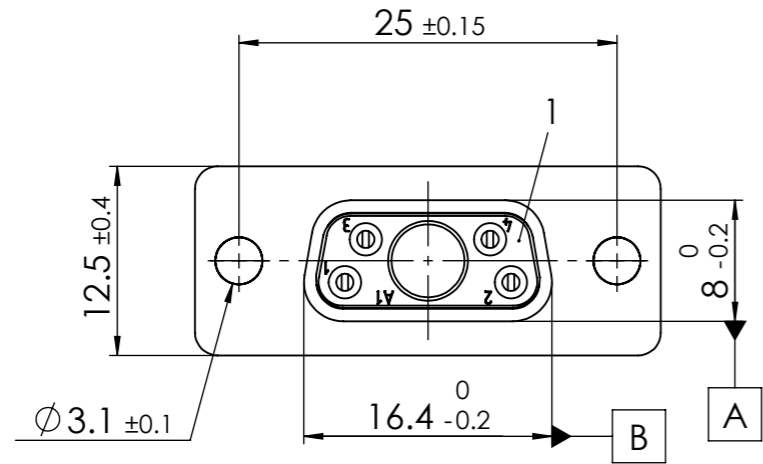


RoHS compliant  
by exemption



⊕ Ø0.1 A B

3	4	Signal contact	SO / Brass	0.8µm Au / AWG 20
2	1	Shell	Steel	tin plated
1	1	Insulator	PBT (-55°C to +130°C) acc. UL94V-0	green
No.	St.	Part	Type Description/Material	Surface plating/Colour/Class

FUNCTIONAL SYMBOLS					THIS DRAWING CONTAINS INFORMATION THAT IS PROPRIETARY TO MOLEX ELECTRONIC TECHNOLOGIES, LLC AND SHOULD NOT BE USED WITHOUT WRITTEN PERMISSION				
▽ = 0	DIMENSION UNITS	SCALE	MEASUREMENTS WITHOUT TOLERANCE ACC. TO		<b>molex</b>				
▽ = 0	mm	2:1	ISO 2768-mK						
▽ = 0			CURRENT REVISION		FCT D-Sub Mixed-Layout Connector				
			DRWN: DRAWN BY msteinbrueck 08-01-2024						
			APPR: APPR BY mteubel 11-01-2024		PRODUCT CUSTOMER DRAWING				
			INITIAL REVISION						
			DRWN: DRAWN BY Denzinger 15-06-2004		MATERIAL NUMBER				
			APPR: APPR BY fflößmann 15-06-2004						
	REV.	CH.-NO.			1731070365				
	REPLACEMENT FOR:		FRIST ANGLE PROJECTION	DRAWING	DOCUMENT NUMBER		CUSTOMER	REVISION	
	1731070365_Rev. A			A3-SIZE	FM5W1S-K121		GENERAL MARKET	3	
								SHEET NUMBER	
								1 OF 1	

COMMENT: ALL RIGHTS ARE RESERVED BY US FOR THIS DRAWING. WITHOUT OUR PRIOR CONSENT, IT MAY NEITHER BE DUPLICATED NOR MADE AVAILABLE TO A THIRD PARTY. AND IT ALSO MAY NOT BE IMPROPERLY USED BY THE RECEIVER, OR A THIRD PARTY.