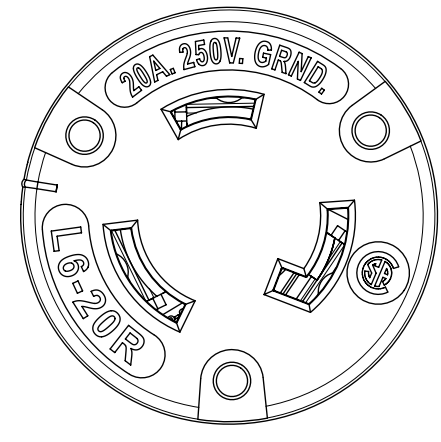
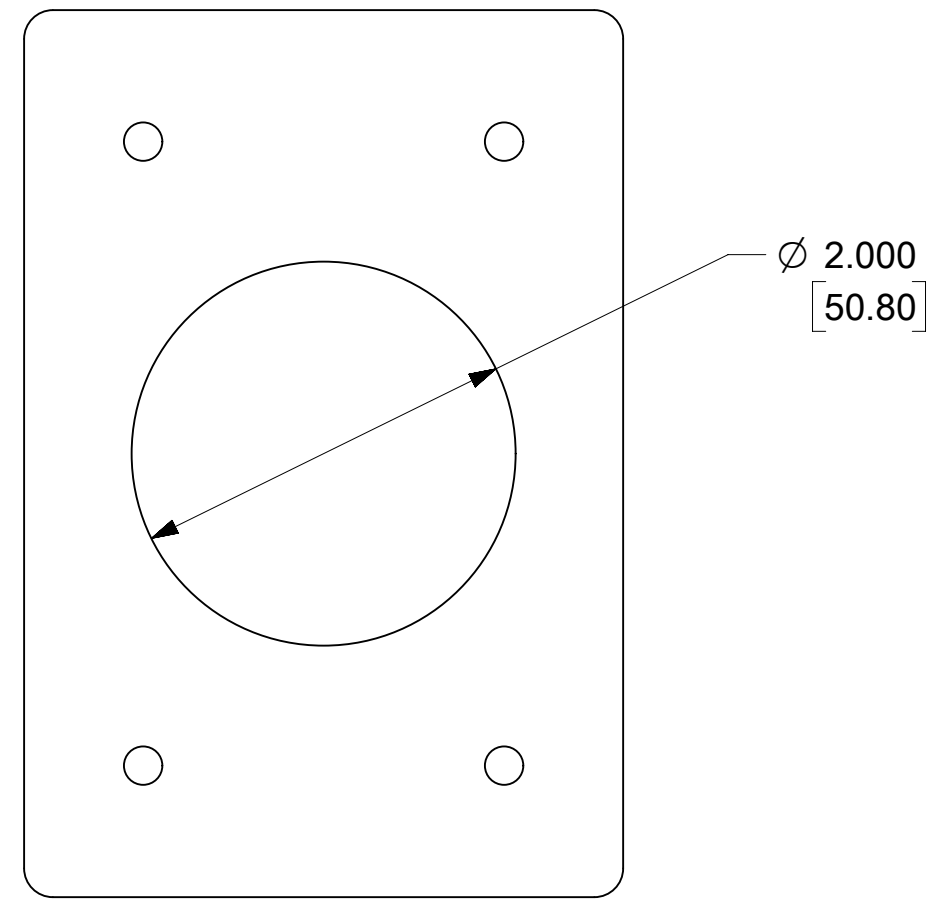
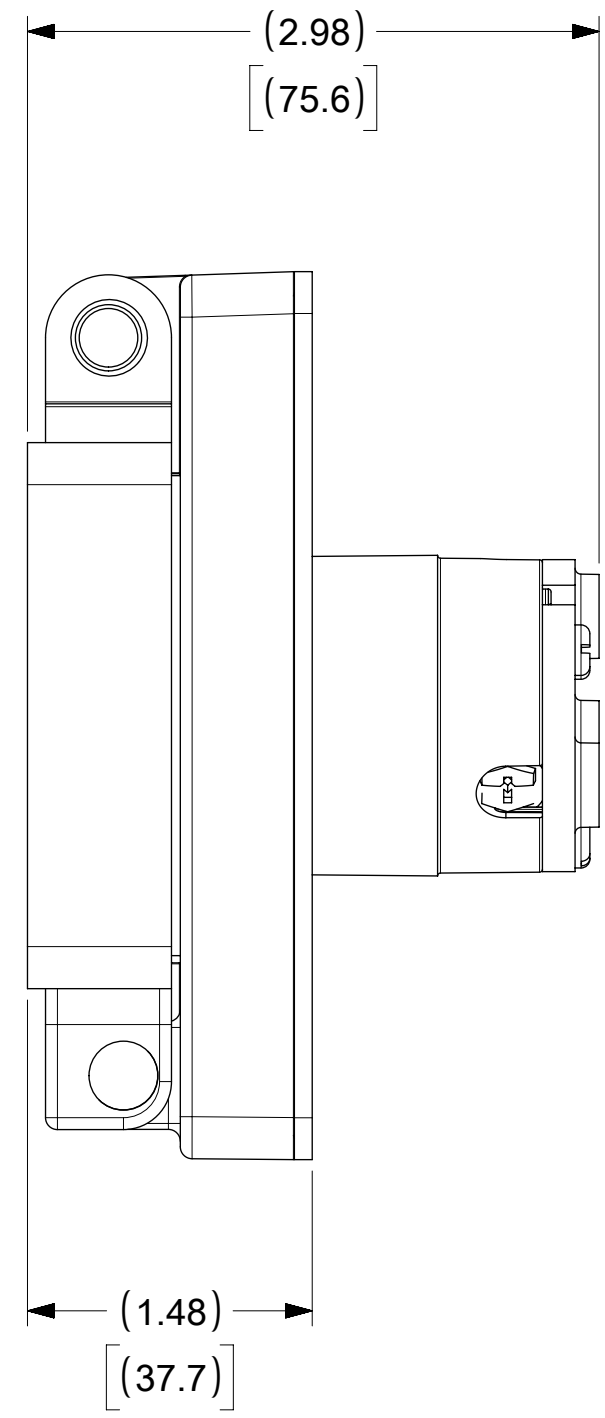
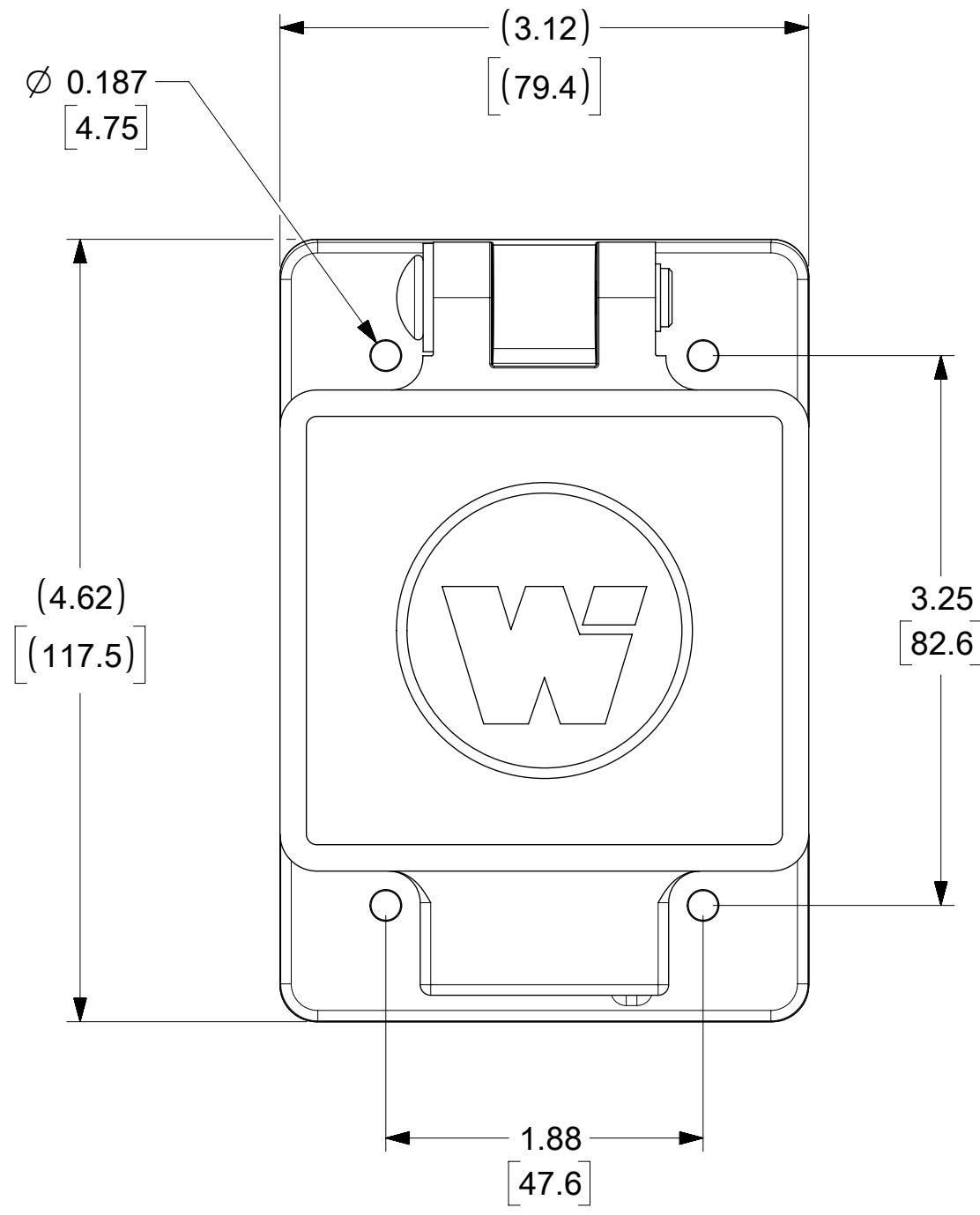
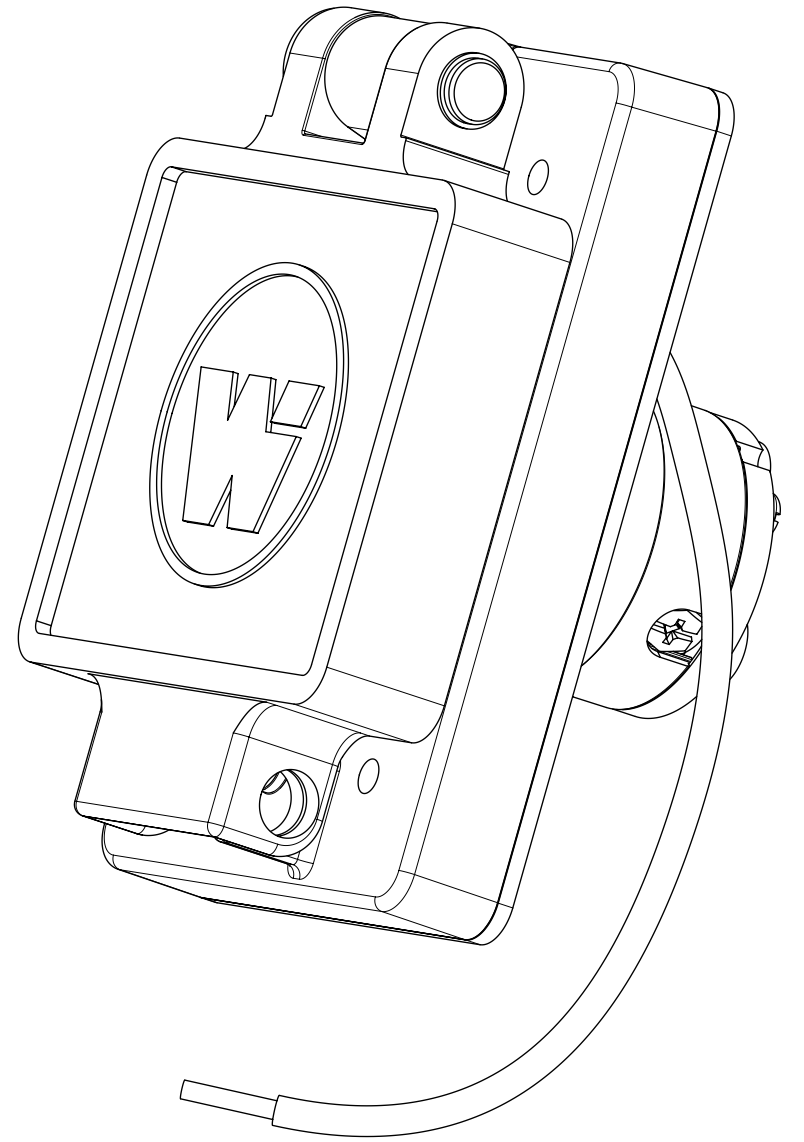


ORDER NO.	WOODHEAD NO.	COLOR
130147-0144	67W48	YELLOW



FACE VIEW



CLEARANCE HOLE (FOR PANEL MOUNT)

DESCRIPTION	MATERIAL	QTY.
BLADES	BRASS, NICKEL PLATED	3
RETAINING SCREWS	STAINLESS STEEL	3
CLAMP AND TERMINAL SCREW ASSY.	BRASS, ZINC PLATED	3
FEMALE INSERT ASSY	NYLON	1
TERMINAL COVER	POLYCARBONATE	1
COVER ASSEMBLY	POLYCARBONATE, STAINLESS STEEL, ALUMINUM	1
GASKET FLIP	NEOPRENE	1
SUPPORT PLATE	STAINLESS STEEL	1
SCREW (GROUND WIRE)	STAINLESS STEEL	1
JUMPER WIRE ASSY	COPPER, BRASS (TINNED FINISH)	1

THIS DRAWING CONTAINS INFORMATION THAT IS PROPRIETARY TO MOLEX ELECTRONIC TECHNOLOGIES, LLC AND SHOULD NOT BE USED WITHOUT WRITTEN PERMISSION									
SYMBOLS		DIMENSION UNITS		SCALE		CURRENT REV DESC: MIGRATE TO ECTR/NX			
= 0		INCH[MM]		NTS		<p>molex</p> <p>WATERTITE FS COVERPLATE 2P3W L6-20</p> <p>PRODUCT CUSTOMER DRAWING</p> <p>DOCUMENT NUMBER: 1301470144 DOC TYPE: PSD DOC PART: 000 REVISION: A</p> <p>MATERIAL NUMBER: SEE TABLE CUSTOMER: GENERAL MARKET SHEET NUMBER: 1 OF 1</p>			
= 0		GENERAL TOLERANCES (UNLESS SPECIFIED)							
= 0		MM INCH							
= 0		4 PLACES ± ±		EC NO: 613675					
= 0		3 PLACES ± ±		DRWN: SRPATIL 2018/12/20					
= 0		2 PLACES ± ±		CHK'D: DNGUYEN62 2019/03/15					
= 0		1 PLACE ± ±		APPR: HKNEELAND 2019/03/22					
= 0		0 PLACES ± ±		INITIAL REVISION:					
= 0		ANGULAR TOL ± °		DRWN: SRPATIL 2018/12/20					
= 0		DRAFT WHERE APPLICABLE MUST REMAIN WITHIN DIMENSIONS		APPR: HKNEELAND 2019/03/22					
		THIRD ANGLE PROJECTION		DRAWING SERIES		C-SIZE 130147			