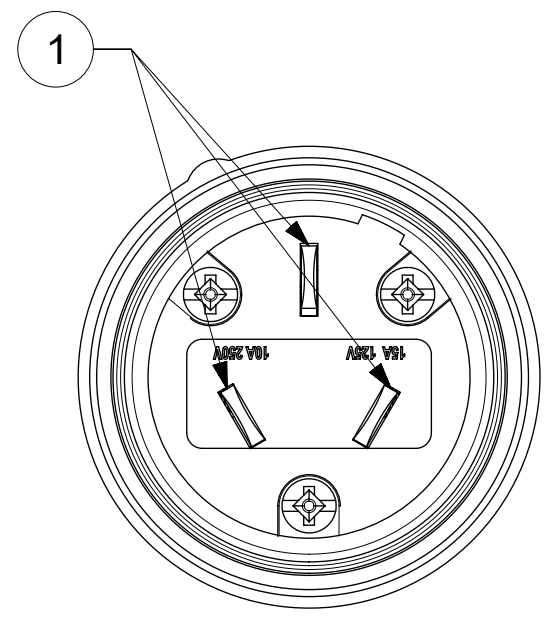
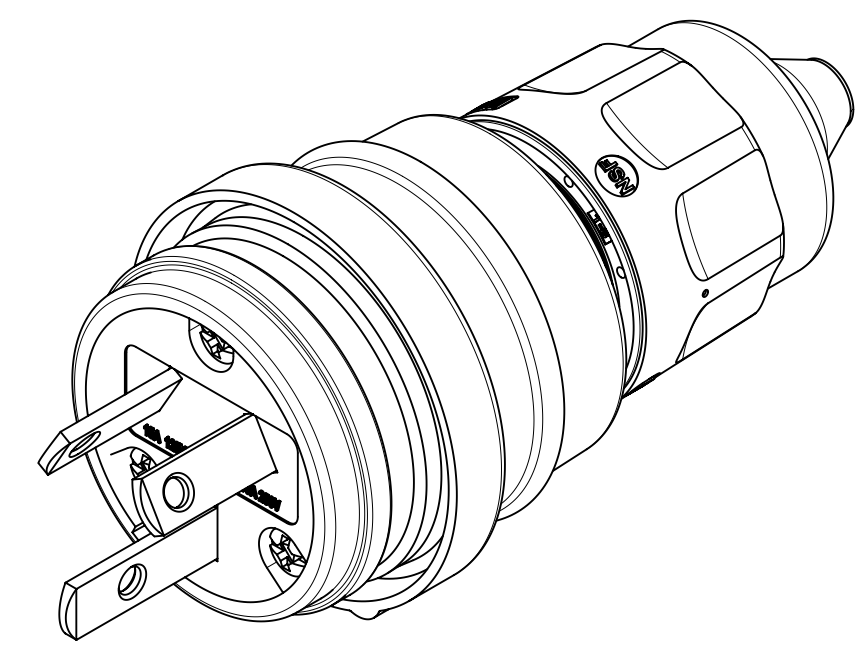
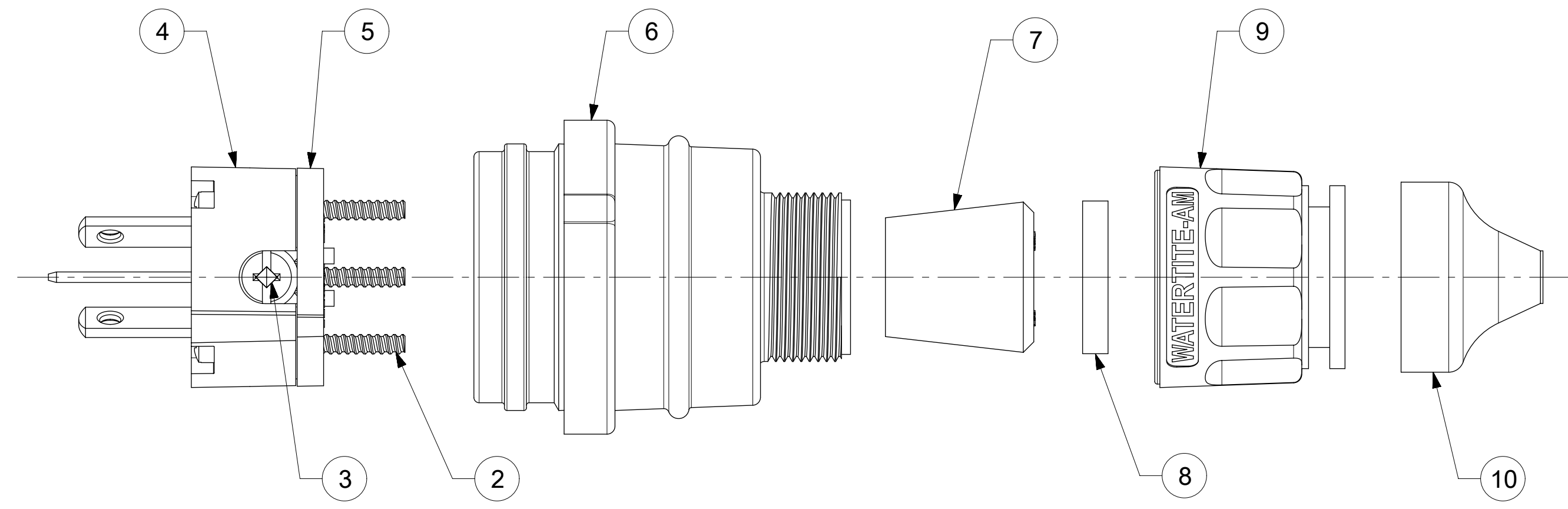
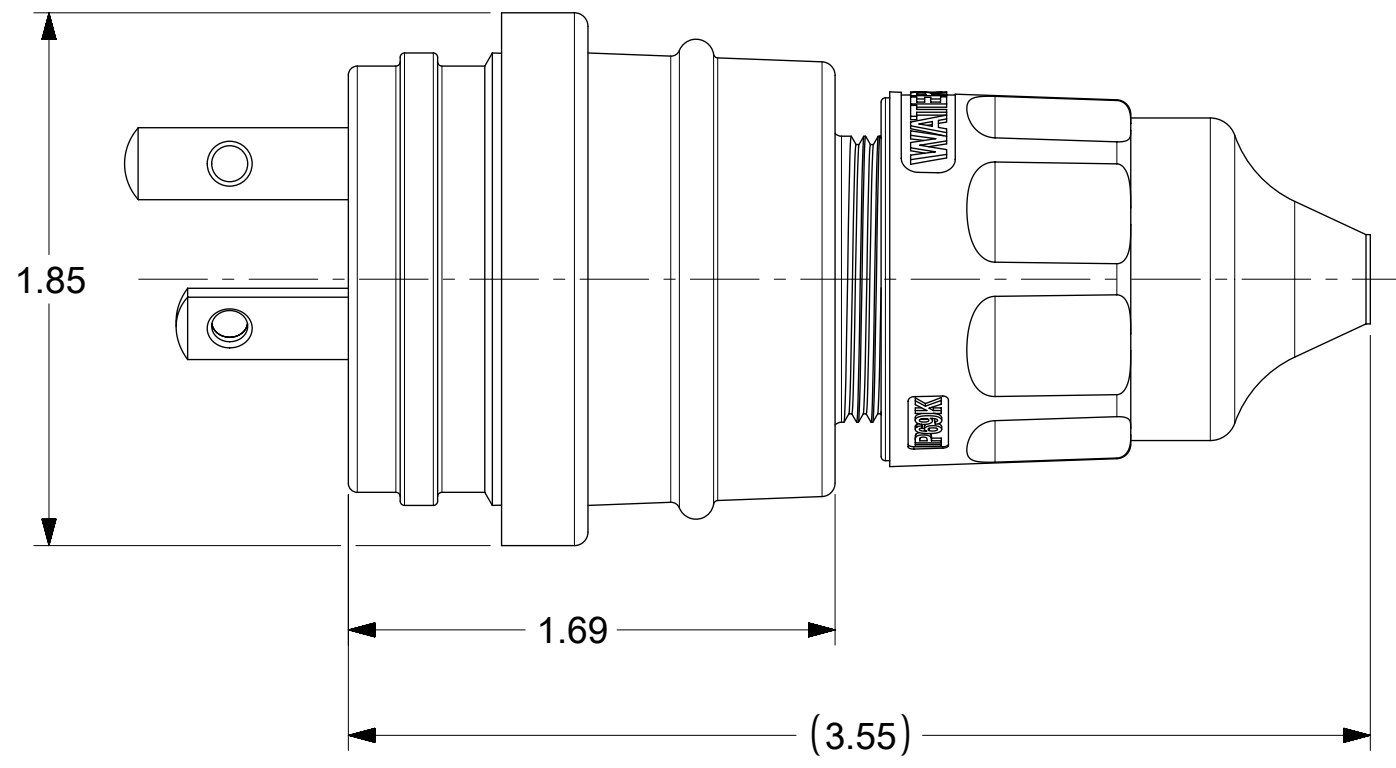


|             |              |        |
|-------------|--------------|--------|
| ORDER NO.   | WOODHEAD NO. | COLOR  |
| 130146-0015 | 14W07        | YELLOW |



**FACE VIEW**



| ITEM NO. | DESCRIPTIONS     | MATERIAL                   | QTY. |
|----------|------------------|----------------------------|------|
| 1        | BLADES           | BRASS                      | 3    |
| 2        | RETAINING SCREWS | STAINLESS STEEL            | 3    |
| 3        | TERMINAL SCREWS  | BRASS, ZINC PLATED         | 3    |
| 4        | INSERT           | NYLON                      | 1    |
| 5        | TERMINAL COVER   | POLYCARBONATE              | 1    |
| 6        | HOUSING          | SILICONE WITH NYLON THREAD | 1    |
| 7        | GROMMETS         | RUBBER                     | 5    |
| 8        | FRICTION RING    | NYLON                      | 1    |
| 9        | COMPRESSION NUT  | NYLON                      | 1    |
| 10       | CABLE GLOVE      | SILICONE                   | 1    |

**NOTES:**  
 1. SEE INSTRUCTION SHEET NUMBER 1301414770 FOR PRODUCT SPECIFICATION.  
 2. CABLE RANGE FROM 0.375" TO 0.625"

|                 |    |              |            |          |
|-----------------|----|--------------|------------|----------|
| DOCUMENT STATUS | P1 | RELEASE DATE | 2019/03/21 | 14:47:55 |
|-----------------|----|--------------|------------|----------|

|   |                        |                             |        |                 |   |              |  |  |  |
|---|------------------------|-----------------------------|--------|-----------------|---|--------------|--|--|--|
| THIS DRAWING CONTAINS INFORMATION THAT IS PROPRIETARY TO MOLEX ELECTRONIC TECHNOLOGIES, LLC AND SHOULD NOT BE USED WITHOUT WRITTEN PERMISSION |                        |                             |        |                 |   |              |  |  |  |
| DIMENSION UNITS   | SCALE                  | CURRENT REV DESC:           |        |                 | <b>WATERTITE PLUG</b>   |              |  |  |  |
| INCH  | NTS                    |                             |        |                 |   |              |  |  |  |
| GENERAL TOLERANCES (UNLESS SPECIFIED)   |                        | EC NO: 613686               |        |                 | <b>PRODUCT CUSTOMER DRAWING</b>   |              |  |  |  |
| ANGULAR TOL   | ± 0.5°                 | DRWN: VHANDI 2019/03/13     |        |                 |   |              |  |  |  |
| 4 PLACES  | ±                      | CHK'D: DNGUYEN62 2019/03/18 |        |                 |   |              |  |  |  |
| 3 PLACES  | ± 0.005                | APPR: HKNEELAND 2019/03/21  |        |                 |   |              |  |  |  |
| 2 PLACES  | ± 0.01                 | INITIAL REVISION:           |        |                 | DOCUMENT NUMBER: <b>1301460015</b> DOC TYPE: PSD    DOC PART: 000    REVISION: A1 |              |  |  |  |
| 1 PLACE   | ± 0.02                 | DRWN: NVELUSAMY 2018/10/24  |        |                 |   |              |  |  |  |
| 0 PLACES  | ±                      | APPR: HKNEELAND 2019/02/11  |        |                 |   |              |  |  |  |
| DRAFT WHERE APPLICABLE MUST REMAIN WITHIN DIMENSIONS  | THIRD ANGLE PROJECTION | DRAWING                     | SERIES | MATERIAL NUMBER | CUSTOMER  | SHEET NUMBER |  |  |  |
|   |                        | C-SIZE                      | 130146 | SEE TABLE       | GENERAL MARKET  | 1 OF 1       |  |  |  |