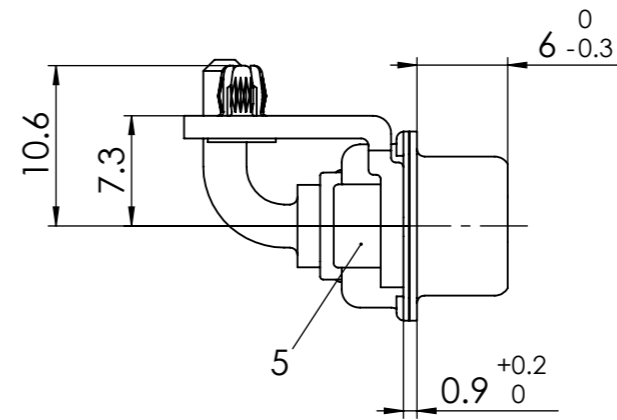
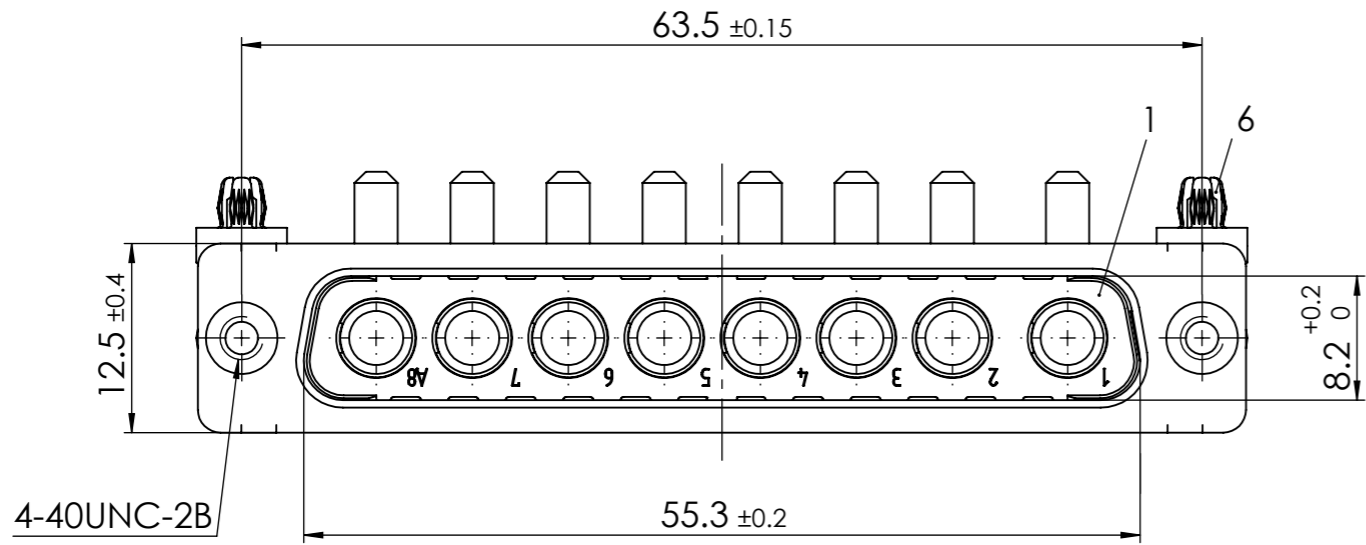
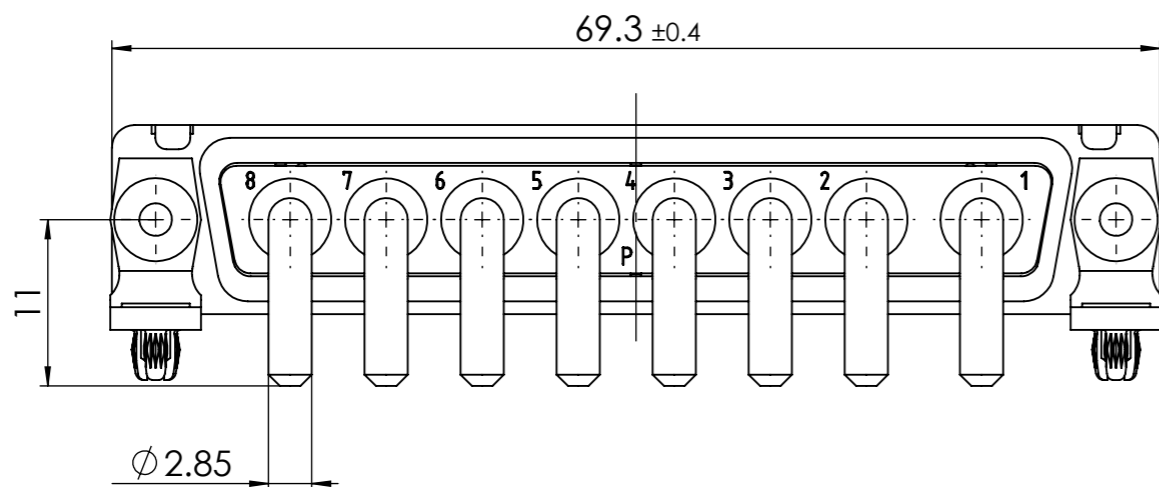
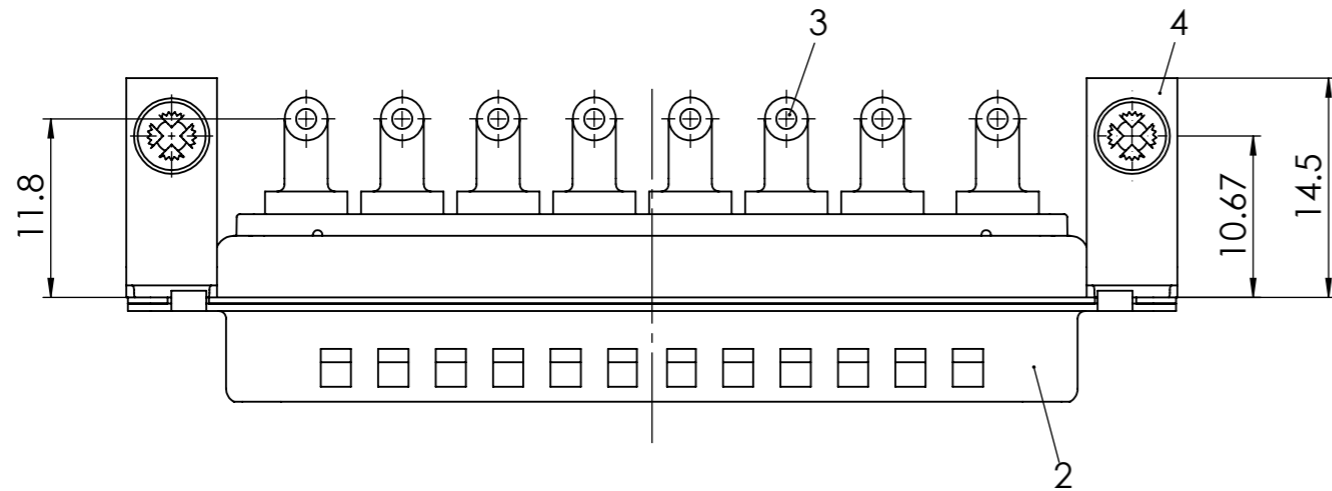
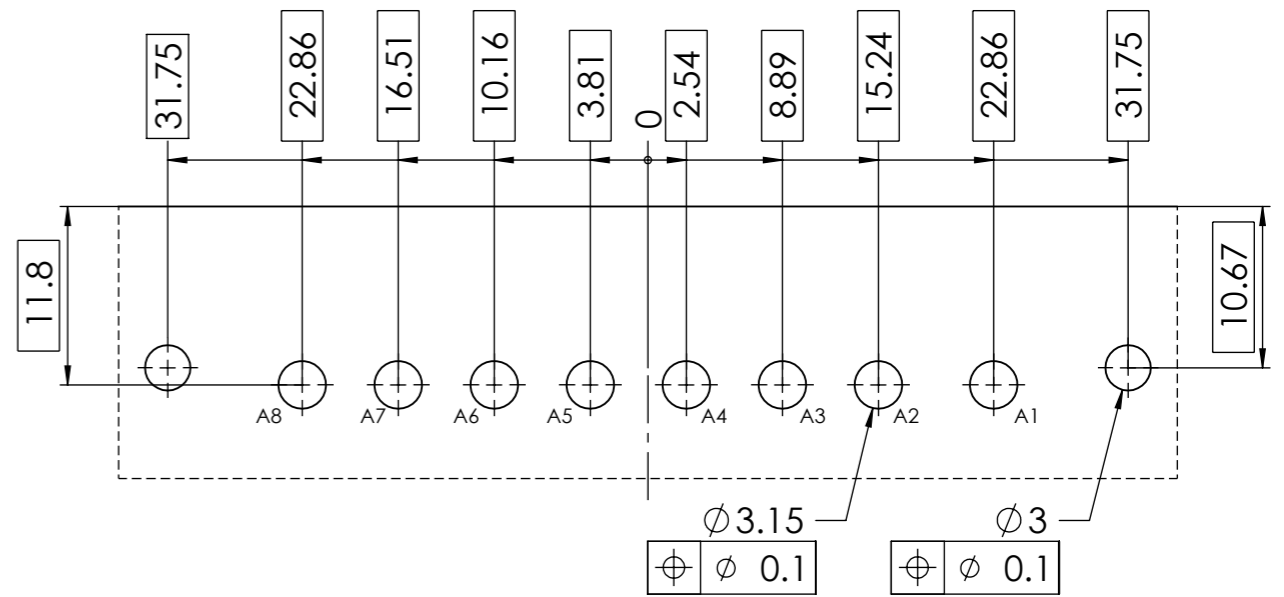


RoHS compliant
by exemption



PCB hole pattern, mounting side



No.	St.	Part	Type Description/Material	Surface plating/Colour/Class
6	2	Snap-in rivet	PCB 1.6mm / Brass	tin plated
5	2	Clinch nut	MW 4-40 / Steel	tin plated
4	2	Bracket	F1080-13B / Steel	tin plated
3	8	High power contact	FMP008P104R	20A
2	1	Shell	Steel	tin plated
1	1	Insulator	PBT (-55°C to +130°C) acc. UL94V-0	green

FUNCTIONAL SYMBOLS					THIS DRAWING CONTAINS INFORMATION THAT IS PROPRIETARY TO MOLEX ELECTRONIC TECHNOLOGIES, LLC AND SHOULD NOT BE USED WITHOUT WRITTEN PERMISSION				
▽ = 0	DIMENSION UNITS	SCALE	MEASUREMENTS WITHOUT TOLERANCE ACC. TO ISO 2768-m						
▽ = 0	mm	2:1							
▽ = 0			CURRENT REVISION		PRODUCT CUSTOMER DRAWING				
			DRWN: DRAWN BY msteinbrueck 04-10-2022		FCT D-Sub Mixed-Layout Connector				
			APPR: APPR BY mteubel 03-04-2023		MATERIAL NUMBER				
	2	24193	INITIAL REVISION		1731070643				
	1		DRWN: DRAWN BY Denzinger 24-02-2004		REVISION				
	REV.	CH.-NO.	APPR: APPR BY fflößmann 24-02-2004		2				
REPLACEMENT FOR:			FRIST ANGLE PROJECTION	DRAWING	DOCUMENT NUMBER			CUSTOMER	SHEET NUMBER
				A3-SIZE	FM8W8P-1343			GENERAL MARKET	1 OF 1

COMMENT:
ALL RIGHTS ARE RESERVED BY US FOR THIS DRAWING. WITHOUT OUR PRIOR CONSENT, IT MAY NEITHER BE DUPLICATED NOR MADE AVAILABLE TO A THIRD PARTY. AND IT ALSO MAY NOT BE IMPROPERLY USED BY THE RECEIVER, OR A THIRD PARTY.