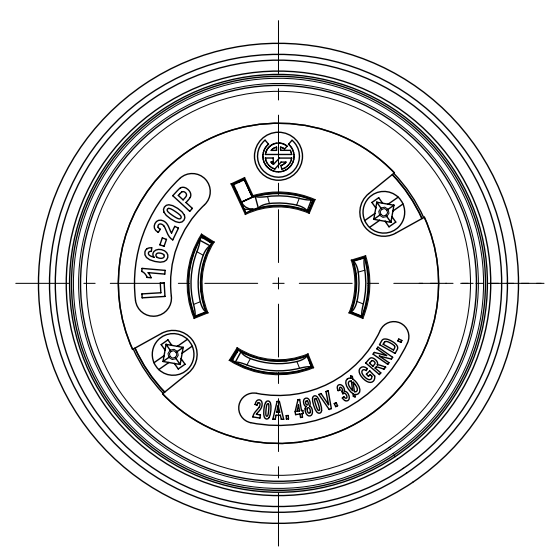
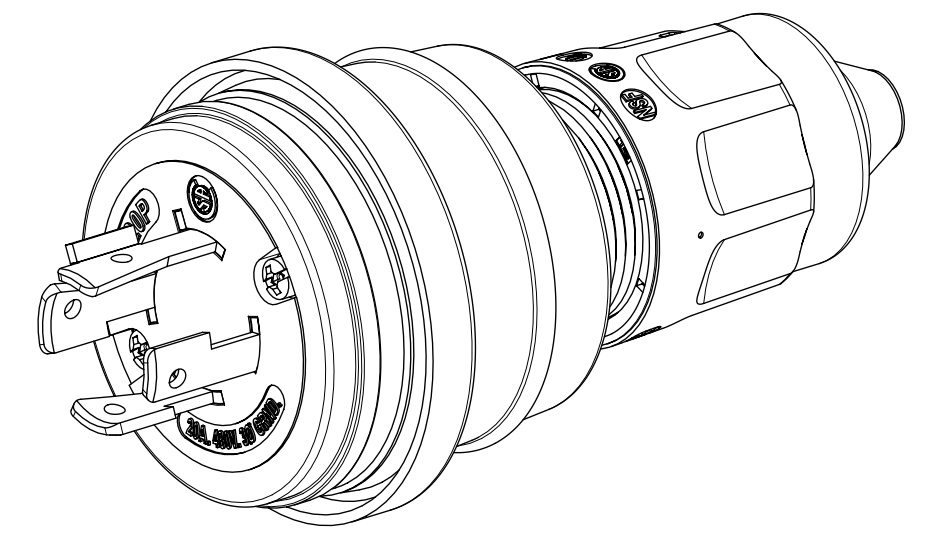
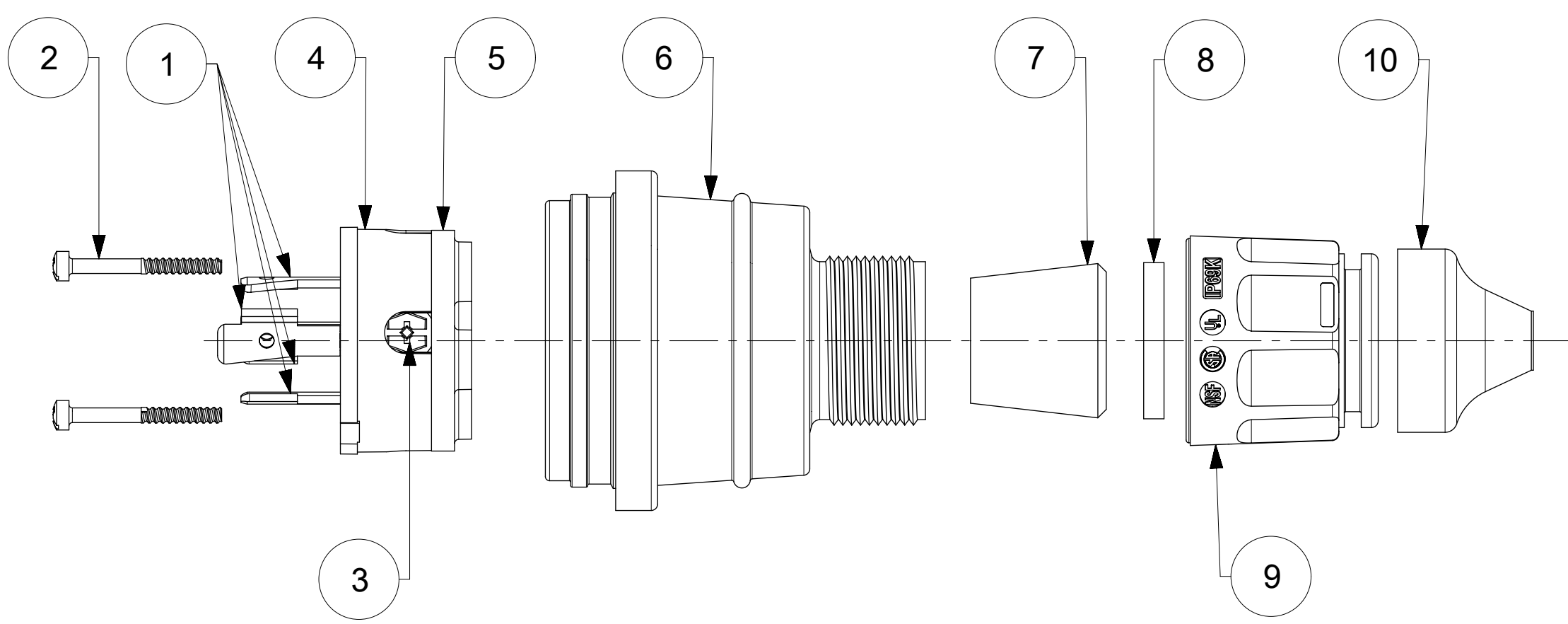
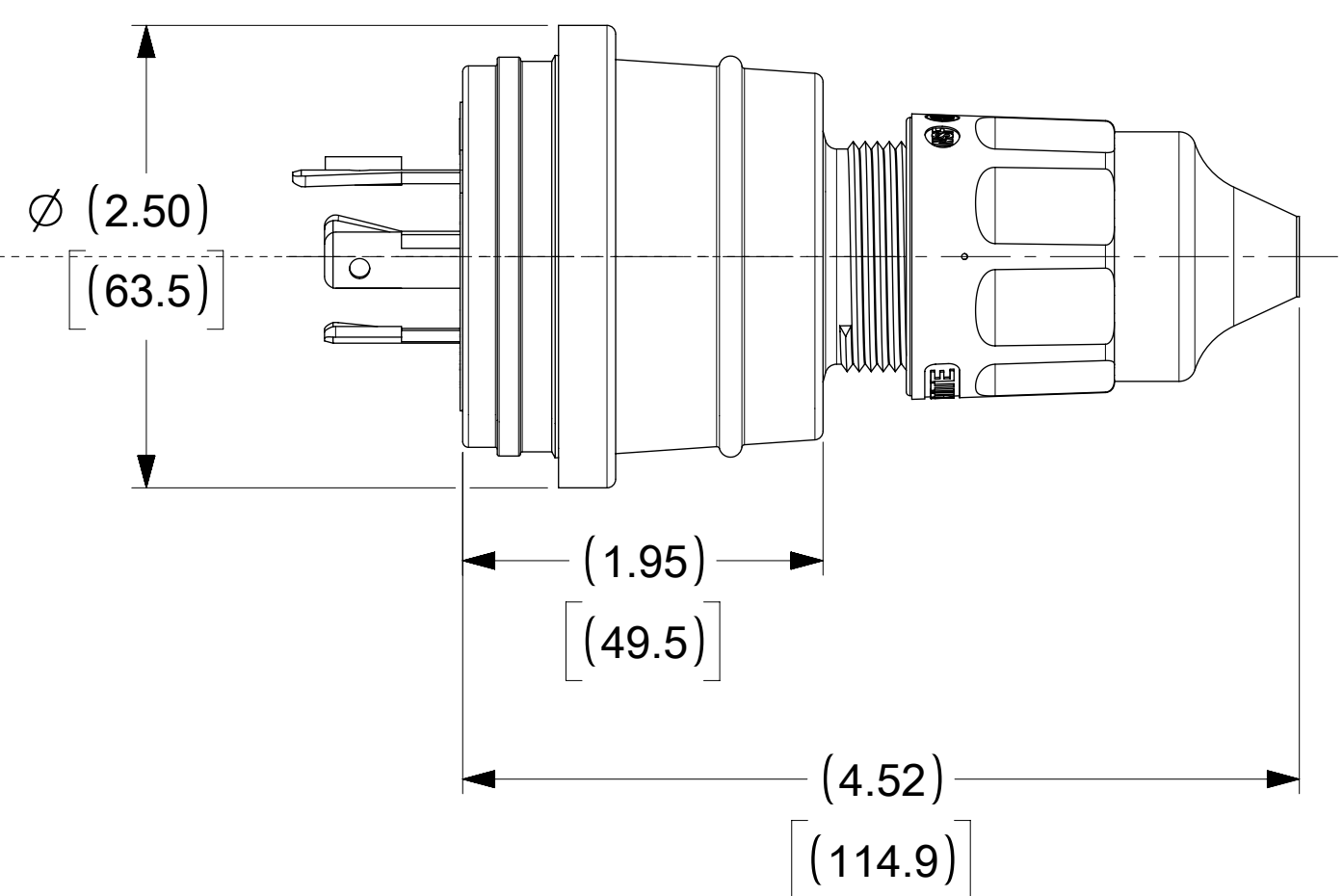


ORDER NO.	WOODHEAD NO.	COLOR
130147-0029	26W76	YELLOW
130147-0030	26W76BLK	BLACK
130147-0464	26W76-ICE	BLUE



FACE VIEW



ITEM NO.	DESCRIPTIONS	MATERIAL	QTY.
1	BLADE	BRASS, NICKEL PLATED	4
2	RETAINING SCREWS	STAINLESS STEEL	2
3	CLAMP AND TERMINAL SCREW ASSY	BRASS, ZINC PLATED	4
4	INSERT	NYLON	1
5	TERMINAL COVER	POLYCARBONATE	1
6	HOUSING	SILICON WITH NYLON THREAD	1
7	GROMMET	RUBBER	4
8	FRICTION RING	NYLON	1
9	COMPRESSION NUT	NYLON	1
10	CABLE GLOVE	SILICONE	1

NOTE:
1. ACCEPT CABLE RANGE FROM .437" TO .750"

FUNCTIONAL SYMBOLS $F_A = 0$ $F_C = 0$ $F_P = 0$ DIVISIONAL SYMBOLS	THIS DRAWING CONTAINS INFORMATION THAT IS PROPRIETARY TO MOLEX ELECTRONIC TECHNOLOGIES, LLC AND SHOULD NOT BE USED WITHOUT WRITTEN PERMISSION		CURRENT REV DESC: ADDED 130147-0464 TO THE TABLE.	
	DIMENSION UNITS: INCH SCALE: NTS		EC NO: 695188 DRWN: DNGUYEN62 CHK'D: WLEUNG APPR: JFMURPHY	
	GENERAL TOLERANCES (UNLESS SPECIFIED) 4 PLACES: ± 3 PLACES: ± 2 PLACES: ± 1 PLACE: ± 0 PLACES: ±		2022/02/09 2022/02/15 2022/03/15	
	ANGULAR TOL: ± ° DRAFT WHERE APPLICABLE MUST REMAIN WITHIN DIMENSIONS		INITIAL REVISION: DRWN: DRAWN BY APPR: APPR BY	
THIRD ANGLE PROJECTION		DRAWING: C-SIZE SERIES: 130147		DOCUMENT NUMBER: 1301470029 DOC TYPE: PSD DOC PART: 000 REVISION: B
MATERIAL NUMBER: SEE TABLE		CUSTOMER: GENERAL MARKET		SHEET NUMBER: 1 OF 1