

NOTES

- ① 材質及び仕上げ(めっき仕様) : TABLE 1, TABLE 2 参照
MATERIAL AND FINISHES (PLATING SPECIFICATION) : SEE TABLE 1 AND TABLE 2
- ② 適合嵌合相手 : 505570シリーズ
MATE WITH : 505570 SERIES
3. 端子テール部及びネイルの平坦度 : 0.1mm以下
TAIL AND NAIL COPLANARITY TO BE 0.1mm MAXIMUM.
- ④ 偶数極に適用
APPLY TO EVEN CIRCUIT
5. 製品仕様書 : 5055700001-PS PS 000
PRODUCT SPECIFICATION : 5055700001-PS PS 000
6. コネクタ取扱説明書 : 5055700001 PS A03
APPLICATION SPECIFICATION : 5055700001 PS A03
7. 本製品は錫めっき品である。
金めっき品は5055750002-SD PSD 000をご参照下さい。
THIS IS TIN PLATING PRODUCT.
PLEASE REFER TO 5055750002-SD PSD 000 FOR GOLD PLATING PRODUCT.

⑧ 発注番号 ORDER NUMBER
505575****

| | |
|--------|-------------------------|
| 番号 NO. | ハウジングカラー HOUSING COLOR |
| 0 | ナチュラル(白) NATURAL(WHITE) |
| 1 | 黒 BLACK |

| | |
|--------|-------------------|
| 番号 NO. | カバーテープ COVER TAPE |
| 7 | 無 WITHOUT |
| 8 | 有 WITH |

| C | B | A | WITHOUT | | WITH | | COVER TAPE HOUSING COLOR |
|--|----|----|------------|----------------|------------|----------------|--------------------------|
| | | | BLACK | NATURAL(WHITE) | BLACK | NATURAL(WHITE) | |
| 34.53 | 30 | 36 | 5055751671 | 5055751670 | 5055751681 | 5055751680 | 16 |
| 32.53 | 28 | 34 | 5055751571 | 5055751570 | 5055751581 | 5055751580 | 15 |
| 30.53 | 26 | 32 | 5055751471 | 5055751470 | 5055751481 | 5055751480 | 14 |
| 28.53 | 24 | 30 | 5055751371 | 5055751370 | 5055751381 | 5055751380 | 13 |
| 26.53 | 22 | 28 | 5055751271 | 5055751270 | 5055751281 | 5055751280 | 12 |
| 24.53 | 20 | 26 | 5055751171 | 5055751170 | 5055751181 | 5055751180 | 11 |
| 22.53 | 18 | 24 | 5055751071 | 5055751070 | 5055751081 | 5055751080 | 10 |
| 20.53 | 16 | 22 | 5055750971 | 5055750970 | 5055750981 | 5055750980 | 9 |
| 18.53 | 14 | 20 | 5055750871 | 5055750870 | 5055750881 | 5055750880 | 8 |
| 16.53 | 12 | 18 | 5055750771 | 5055750770 | 5055750781 | 5055750780 | 7 |
| 14.53 | 10 | 16 | 5055750671 | 5055750670 | 5055750681 | 5055750680 | 6 |
| 12.53 | 8 | 14 | 5055750571 | 5055750570 | 5055750581 | 5055750580 | 5 |
| 10.53 | 6 | 12 | 5055750471 | 5055750470 | 5055750481 | 5055750480 | 4 |
| 8.53 | 4 | 10 | 5055750371 | 5055750370 | 5055750381 | 5055750380 | 3 |
| 6.53 | 2 | 8 | 5055750271 | 5055750270 | 5055750281 | 5055750280 | 2 |
| ⑧ 発注番号 ORDER NUMBER | | | | | | | 極数 CIRCUIT SIZE |
| エンボステープ梱包 PACKAGING STYLE : EMBOSSED TAPE AND REEL | | | | | | | |

TABLE 1

| 番号 NO. | 部品 PART | 材質 MATERIAL |
|--------|-------------------|--|
| ① | ハウジング HOUSING | ポリアミド(PA), UL94 V-0, 色 : 注記8参照 POLYAMIDE(PA), UL94 V-0, COLOR: SEE NOTE 8 |
| ② | ターミナル TERMINAL | 黄銅 BRASS |
| | | 錫めっき : 1.0 MICROMETER MINIMUM MATTE TIN PLATING |
| ③ | ネイル NAIL | リン青銅 PHOSPHOR BRONZE |
| | | 錫めっき : 1.0 MICROMETER MINIMUM MATTE TIN PLATING |
| ④ | カバーテープ COVER TAPE | ニッケルめっき (下地めっき) : 1.0 MICROMETER MINIMUM NICKEL PLATING (UNDER PLATING) |
| | | ポリイミド POLYIMIDE |

| | | | | |
|-----------------|----|--------------|------------|----------|
| DOCUMENT STATUS | P1 | RELEASE DATE | 2023/08/04 | 04:03:59 |
|-----------------|----|--------------|------------|----------|

THIS DRAWING CONTAINS INFORMATION THAT IS PROPRIETARY TO MOLEX ELECTRONIC TECHNOLOGIES, LLC AND SHOULD NOT BE USED WITHOUT WRITTEN PERMISSION

| | | | |
|--|--------|-------------------|------------|
| DIMENSION UNITS | SCALE | CURRENT REV DESC: | |
| mm | NTS | | |
| GENERAL TOLERANCES (UNLESS SPECIFIED) | | | |
| ANGULAR TOL ± 3.0° | | | |
| 4 PLACES | ± 0.2 | EC NO: 718854 | 2023/02/28 |
| 3 PLACES | ± 0.2 | DRWN: SOKUMURA01 | 2023/08/04 |
| 2 PLACES | ± 0.2 | CHK'D: SAKIYAMA | 2023/08/04 |
| 1 PLACE | ± 0.2 | APPR: MARAI | 2023/08/04 |
| 0 PLACES | ± 0.2 | INITIAL REVISION: | |
| DRAFT WHERE APPLICABLE MUST REMAIN WITHIN DIMENSIONS | | DRWN: TENAGASE | 2016/06/07 |
| THIRD ANGLE PROJECTION | | APPR: TKANEKO | 2016/06/23 |
| DRAWING | SERIES | MATERIAL NUMBER | CUSTOMER |
| A3-SIZE | 505575 | SEE CHART | GENERAL |

molex

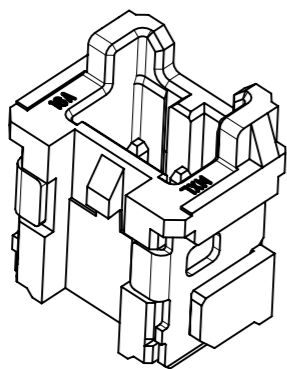
MICRO-LOCK PLUS 2.0 W/B
SINGLE ROW VERTICAL SMT PLUG ASSEMBLY
TIN PLATING

PRODUCT CUSTOMER DRAWING

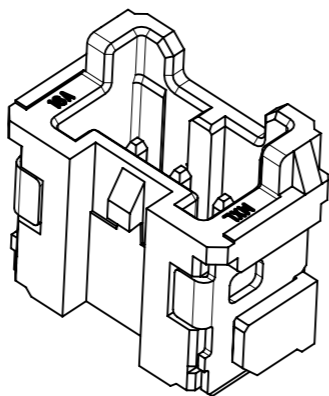
| | | | |
|-----------------|----------|----------|----------|
| DOCUMENT NUMBER | DOC TYPE | DOC PART | REVISION |
| 5055750001 | PSD | 000 | D |
| SHEET NUMBER | | 1 OF 4 | |

製品形状
PRODUCT SHAPE

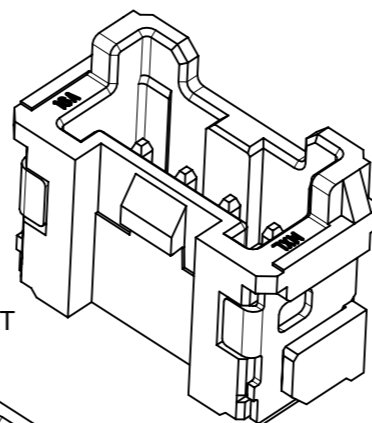
2極
2 CIRCUIT



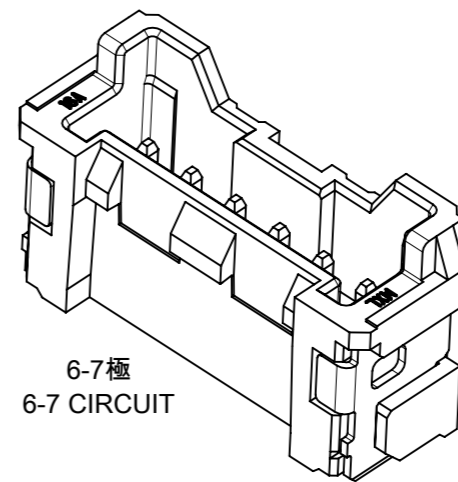
3極
3 CIRCUIT



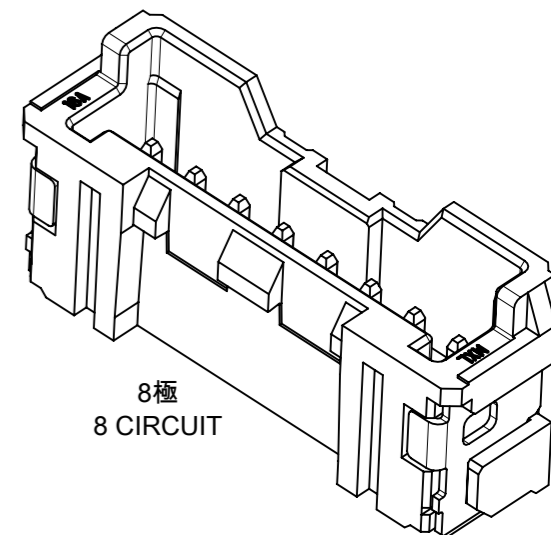
4-5極
4-5 CIRCUIT



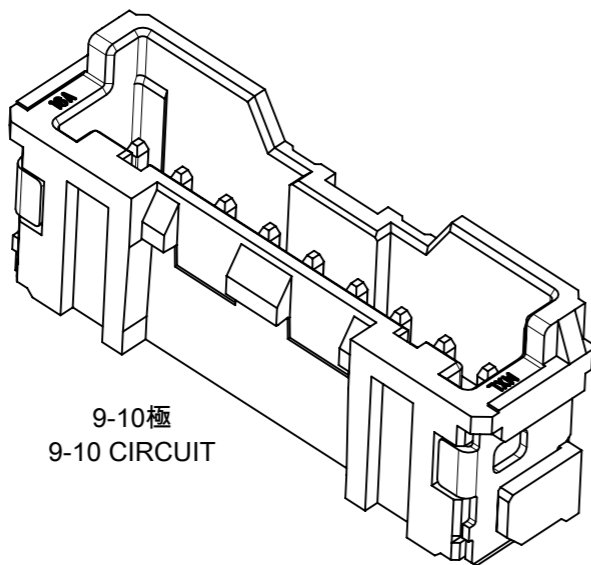
6-7極
6-7 CIRCUIT



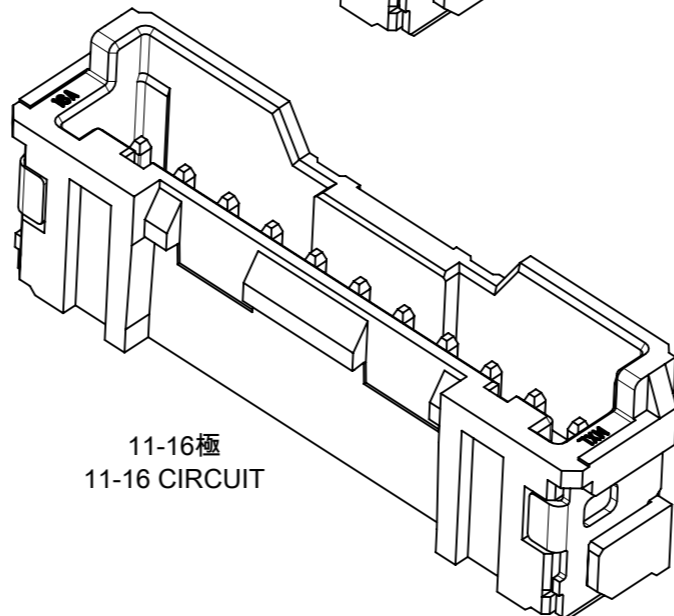
8極
8 CIRCUIT



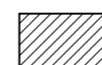
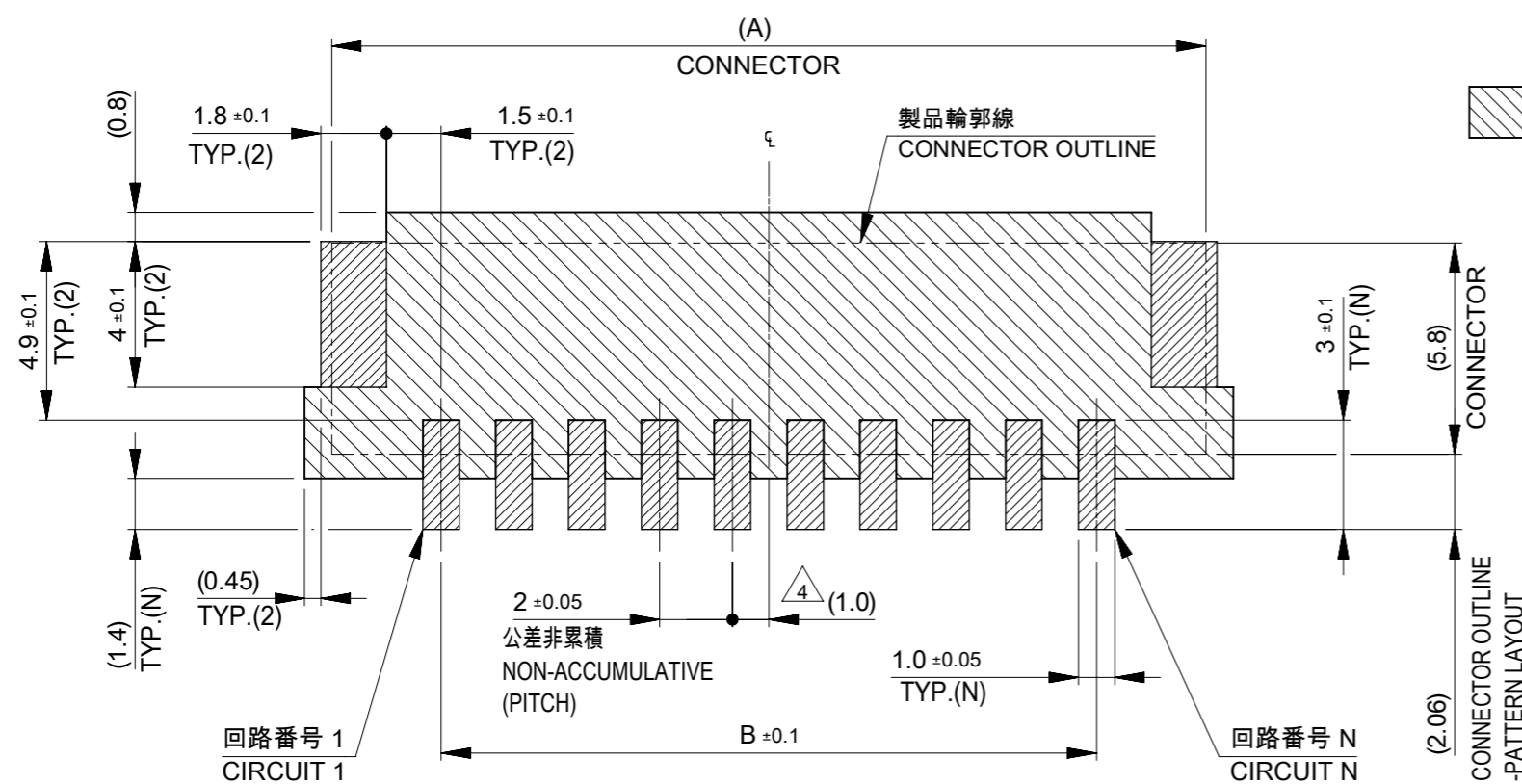
9-10極
9-10 CIRCUIT



11-16極
11-16 CIRCUIT



基板パターンレイアウト
PCB PATTERN LAYOUT



基板パターンレイアウト(参考)
(参考: 基板厚1.6mm, メタルマスク厚み0.15mm, マスク開口率100%)
PCB PATTERN LAYOUT (REFERENCE)
(REFERENCE: PCB THICKNESS 1.6mm, STENCIL THICKNESS 0.15mm, APERTURE RATIO 100%)



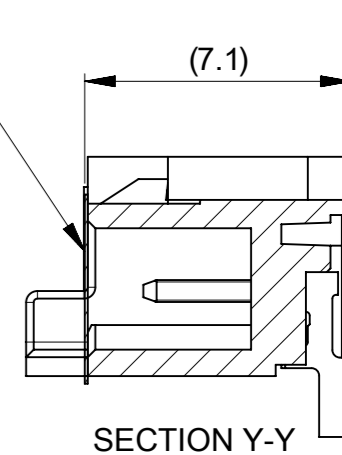
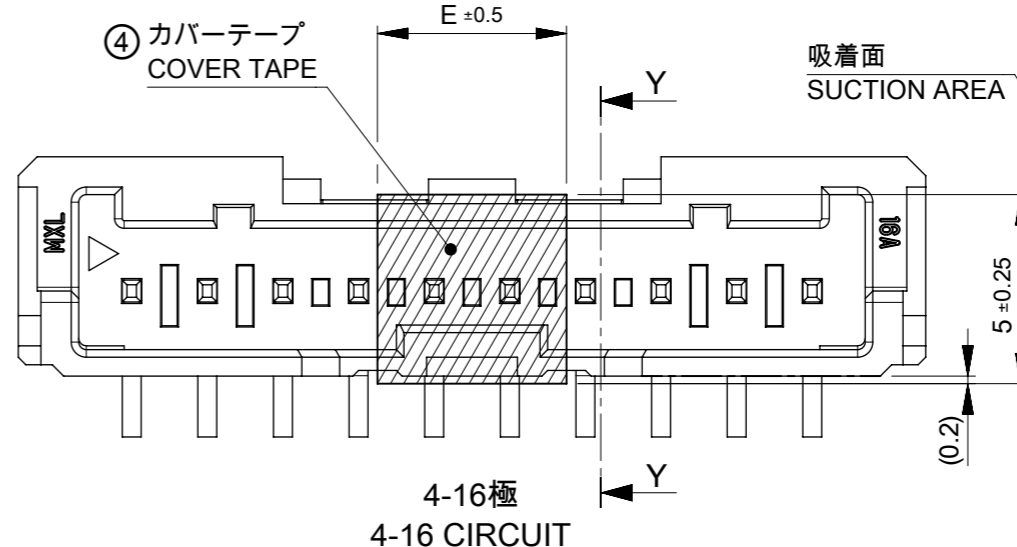
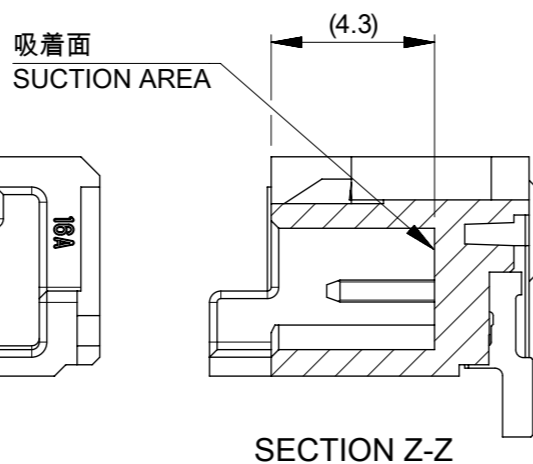
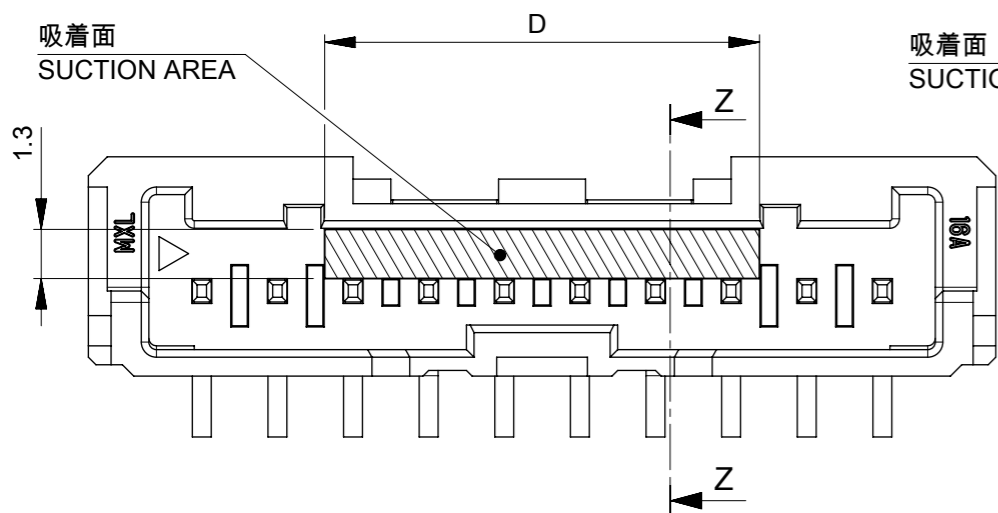
パターン非推奨エリア
パターンを引き回す際には製品機能に影響がないことを御確認ください。
PATTERN IS NOT RECOMMENDED ON THE HATCHING AREA.
PLEASE CHECK NOT TO HAVE PROBLEM FOR PRODUCT FUNCTION
WHEN SETTING PATTERN ON THE HATCHING AREA.

| | | | | | |
|---|---------|------------------------|------------|---|-----------------|
| THIS DRAWING CONTAINS INFORMATION THAT IS PROPRIETARY TO MOLEX ELECTRONIC TECHNOLOGIES, LLC AND SHOULD NOT BE USED WITHOUT WRITTEN PERMISSION | | CURRENT REV DESC: | | molex | |
| DIMENSION UNITS | SCALE | | | | |
| mm | NTS | | | MICRO-LOCK PLUS 2.0 W/B SINGLE ROW VERTICAL SMT PLUG ASSEMBLY TIN PLATING | |
| GENERAL TOLERANCES (UNLESS SPECIFIED) | | EC NO: 718854 | | PRODUCT CUSTOMER DRAWING | |
| ANGULAR TOL | ± 3.0 ° | DRWN: SOKUMURA01 | 2023/02/28 | DOCUMENT NUMBER | |
| 4 PLACES | ± 0.2 | CHK'D: SAKIYAMA | 2023/08/04 | DOC TYPE | |
| 3 PLACES | ± 0.2 | APPR: MARAI | 2023/08/04 | DOC PART | |
| 2 PLACES | ± 0.2 | INITIAL REVISION: | | REVISION | |
| 1 PLACE | ± 0.2 | DRWN: TENAGASE | 2016/06/07 | 5055750001 | |
| 0 PLACES | ± 0.2 | APPR: TKANEKO | 2016/06/23 | PSD 000 D | |
| DRAFT WHERE APPLICABLE MUST REMAIN WITHIN DIMENSIONS | | THIRD ANGLE PROJECTION | DRAWING | SERIES | MATERIAL NUMBER |
| | | | A3-SIZE | 505575 | CUSTOMER |
| | | | | | GENERAL |
| | | | | | SHEET NUMBER |
| | | | | | 2 OF 4 |

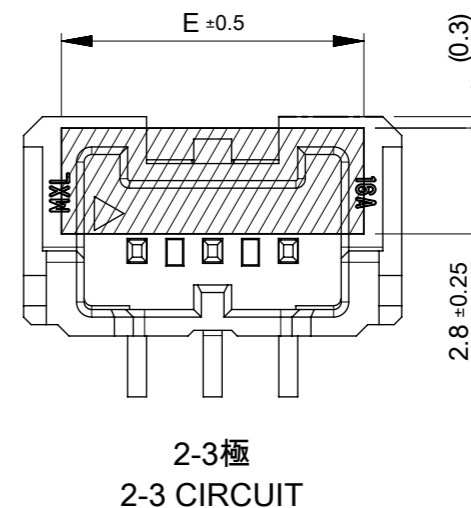
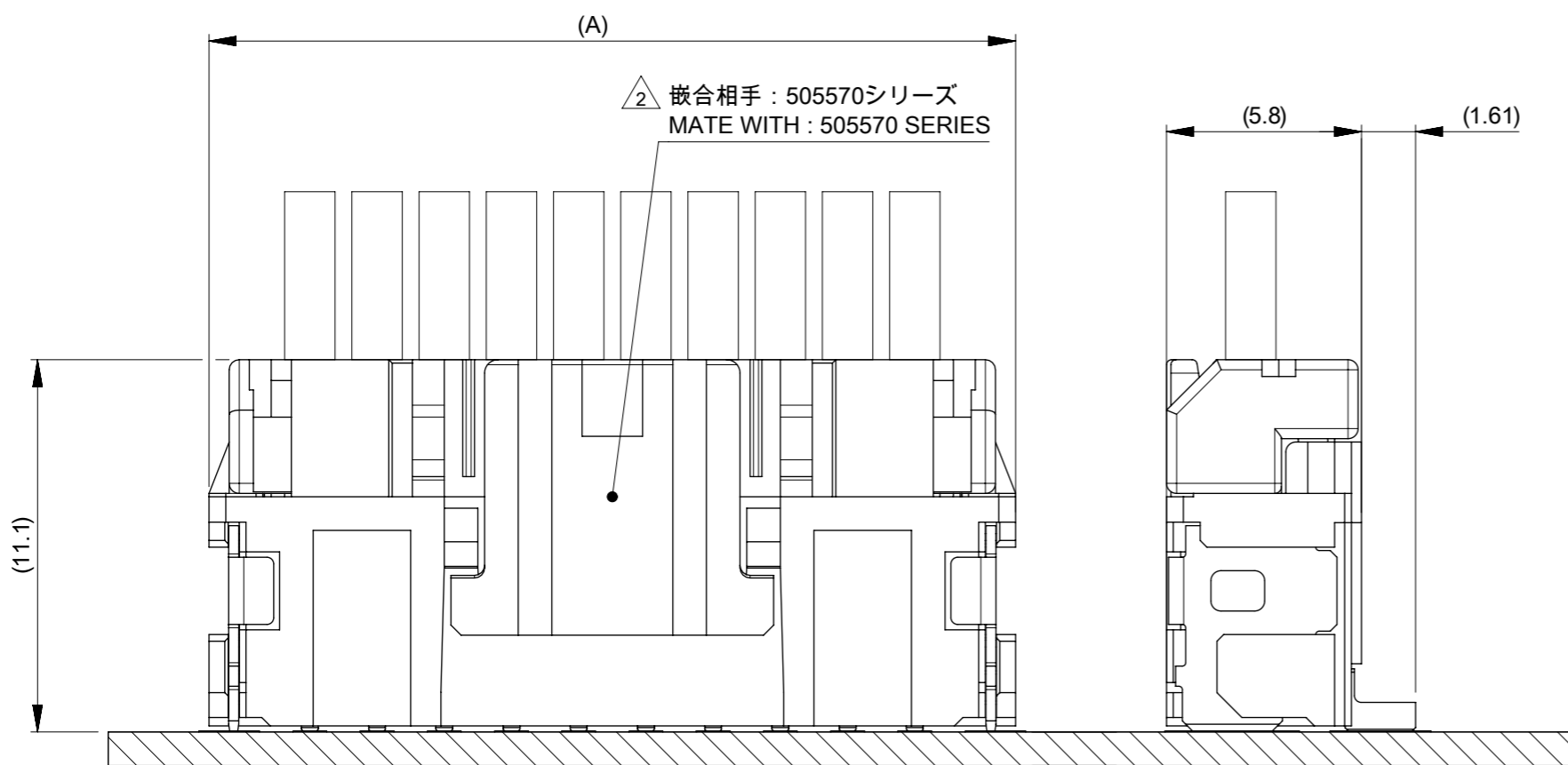
吸着エリア
SUCTION AREA

カバーテープ無
WITHOUT COVER TAPE
505575**7*

カバーテープ有
WITH COVER TAPE
505575**8*



嵌合状態図
MATED CONNECTORS

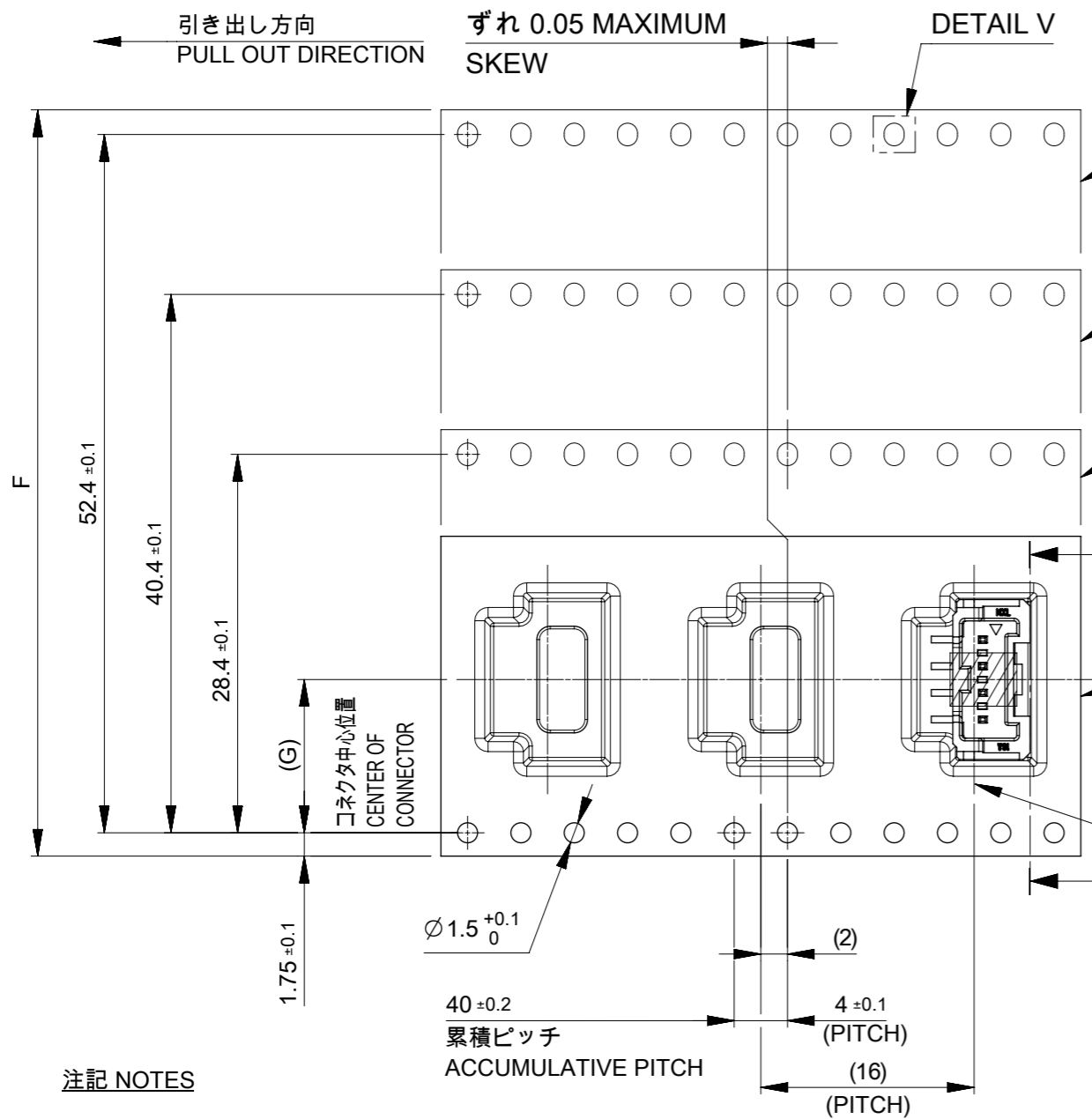


| | | |
|---|------|-----------------------|
| 5 | 11.5 | 16 |
| | | 15 |
| 4 | 9.5 | 14 |
| | | 13 |
| | | 12 |
| | | 11 |
| | | 10 |
| | | 9 |
| 8 | 4.5 | 8 |
| | | 7 |
| | | 6 |
| 6 | 2.5 | 5 |
| | | 4 |
| E | D | 極数 CIRCUIT SIZE |

THIS DRAWING CONTAINS INFORMATION THAT IS PROPRIETARY TO MOLEX ELECTRONIC TECHNOLOGIES, LLC AND SHOULD NOT BE USED WITHOUT WRITTEN PERMISSION

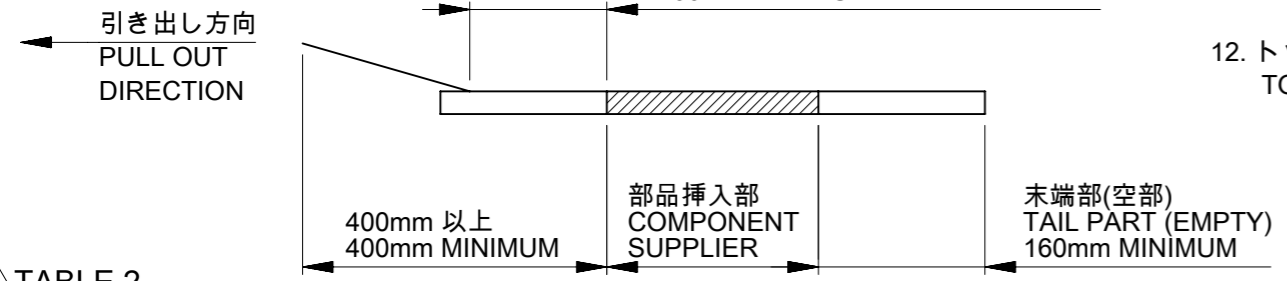
| | | | |
|--|---------|-------------------|------------|
| DIMENSION UNITS | SCALE | CURRENT REV DESC: | |
| mm | NTS | | |
| GENERAL TOLERANCES (UNLESS SPECIFIED) | | | |
| ANGULAR TOL | ± 3.0 ° | | |
| 4 PLACES | ± 0.2 | EC NO: 718854 | |
| 3 PLACES | ± 0.2 | DRWN: SOKUMURA01 | 2023/02/28 |
| 2 PLACES | ± 0.2 | CHK'D: SAKIYAMA | 2023/08/04 |
| 1 PLACE | ± 0.2 | APPR: MARAI | 2023/08/04 |
| 0 PLACES | ± 0.2 | INITIAL REVISION: | |
| DRAFT WHERE APPLICABLE MUST REMAIN WITHIN DIMENSIONS | | DRWN: TENAGASE | 2016/06/07 |
| THIRD ANGLE PROJECTION | | APPR: TKANEKO | 2016/06/23 |
| DRAWING | SERIES | MATERIAL NUMBER | CUSTOMER |
| A3-SIZE | 505575 | SEE SHEET 1 | GENERAL |
| DOCUMENT NUMBER | | DOC TYPE | DOC PART |
| 5055750001 | | PSD | 000 |
| SHEET NUMBER | | REVISION | |
| 3 OF 4 | | D | |

molex
MICRO-LOCK PLUS 2.0 W/B
SINGLE ROW VERTICAL SMT PLUG ASSEMBLY
TIN PLATING
PRODUCT CUSTOMER DRAWING



注記 NOTES

- 9. 梱包数量 : 600個
NUMBER OF CONNECTORS : 600 PIECES/REEL
- 10. 梱包仕様書 : 5055759200 PS 200
PACKING SPECIFICATION : 5055759200 PS 200
- 11. リードテープ長さ
LEAD TAPE LENGTH



12. トップテープの剥離強度については、IEC 60286-3に準拠
TOP TAPE PEEL FORCE IS DEFINED BY IEC 60286-3.

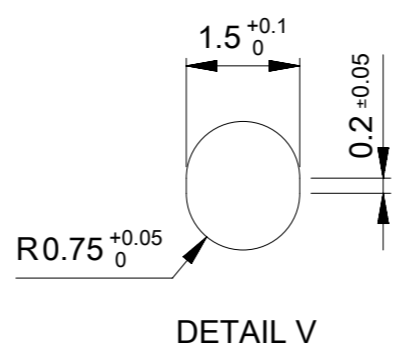
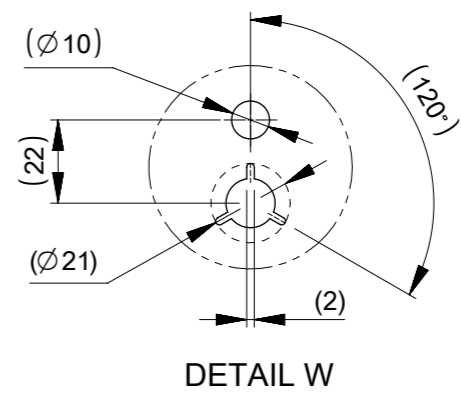
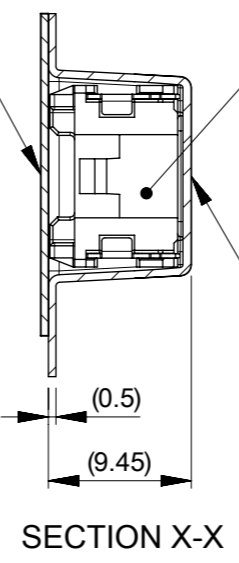
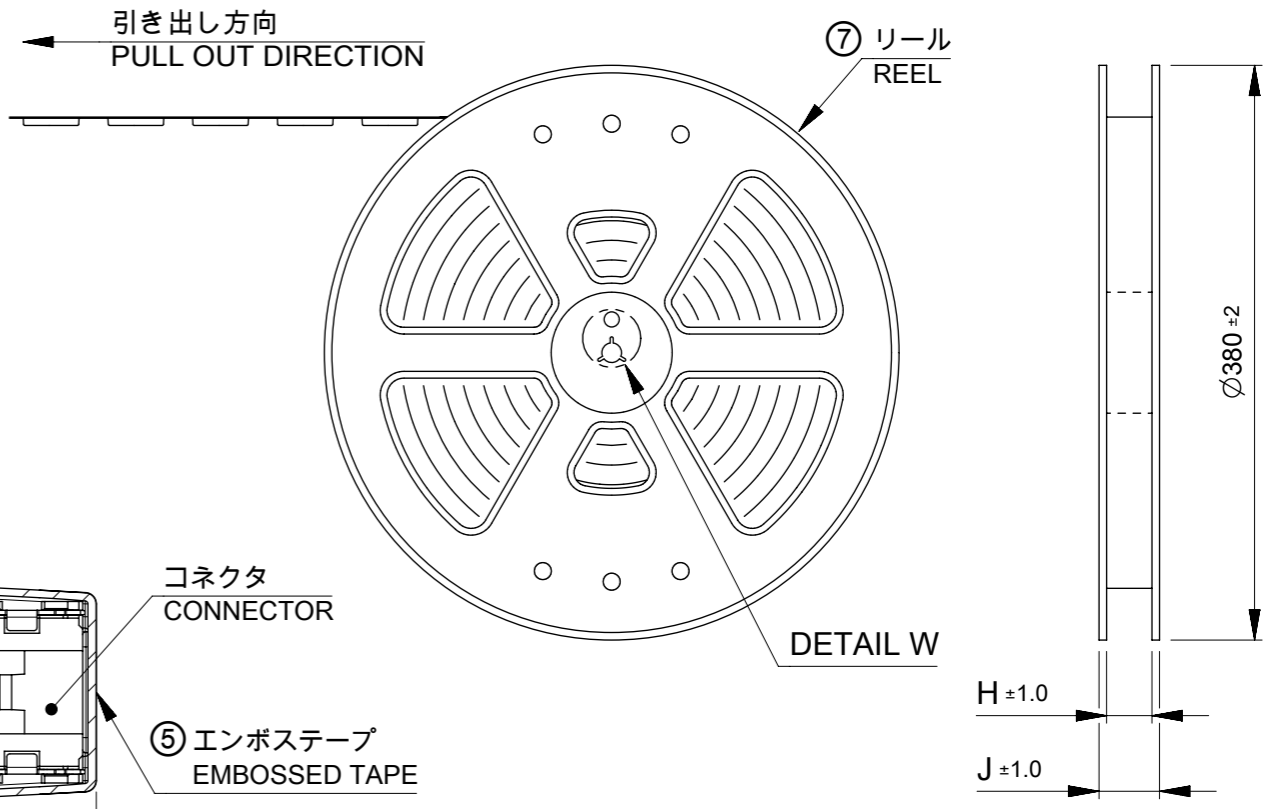


TABLE 2

| 番号 NO. | 部品 PART | 材質 MATERIAL |
|--------|-----------------------|--|
| ⑤ | エンボステープ EMBOSSED TAPE | ポリスチレン(PS) POLYSTYRENE(PS) |
| ⑥ | トップテープ TOP TAPE | ポリエチレン(PE), その他 POLYETHYLENE(PE), OTHER |
| ⑦ | リール REEL | ポリスチレン(PS), [リサイクル材を含む] POLYSTYRENE(PS) [RECYCLE MATERIAL CONTAINED] |

| | | | | |
|------|------|------|--------------|--------------------|
| 61.4 | 57.4 | 26.2 | 56±0.3 | 16 |
| | | | | 15 |
| | | | | 14 |
| | | | | 13 |
| | | | | 12 |
| | | | | 11 |
| 49.4 | 45.4 | 20.2 | 44±0.3 | 10 |
| | | | | 9 |
| | | | | 8 |
| | | | | 7 |
| 37.4 | 33.4 | 14.2 | 32±0.3 | 6 |
| | | | | 5 |
| | | | | 4 |
| 29.4 | 25.4 | 11.5 | 24 +0.3/-0.1 | 3 |
| | | | | 2 |
| J | H | G | F | 極数 CIRCUIT SIZE |

THIS DRAWING CONTAINS INFORMATION THAT IS PROPRIETARY TO MOLEX ELECTRONIC TECHNOLOGIES, LLC AND SHOULD NOT BE USED WITHOUT WRITTEN PERMISSION

| | | | | | | |
|--|---------|------------------------|------------|---|-----------------|----------|
| DIMENSION UNITS | SCALE | CURRENT REV DESC: | | molex | | |
| mm | NTS | | | | | |
| GENERAL TOLERANCES (UNLESS SPECIFIED) | | | | MICRO-LOCK PLUS 2.0 W/B SINGLE ROW VERTICAL SMT PLUG ASSEMBLY TIN PLATING | | |
| ANGULAR TOL | ± 3.0 ° | | | PRODUCT CUSTOMER DRAWING | | |
| 4 PLACES | ± 0.2 | EC NO: 718854 | 2023/02/28 | DOCUMENT NUMBER | | |
| 3 PLACES | ± 0.2 | DRWN: SOKUMURA01 | 2023/08/04 | DOC TYPE DOC PART REVISION | | |
| 2 PLACES | ± 0.2 | CHK'D: SAKIYAMA | 2023/08/04 | 5055750001 PSD 000 D | | |
| 1 PLACE | ± 0.2 | APPR: MARAI | | | | |
| 0 PLACES | ± 0.2 | INITIAL REVISION: | | | | |
| | | DRWN: TENAGASE | 2016/06/07 | | | |
| | | APPR: TKANEKO | 2016/06/23 | | | |
| DRAFT WHERE APPLICABLE MUST REMAIN WITHIN DIMENSIONS | | THIRD ANGLE PROJECTION | DRAWING | SERIES | MATERIAL NUMBER | CUSTOMER |
| | | | A3-SIZE | 505575 | SEE SHEET 1 | GENERAL |
| | | | | SHEET NUMBER | 4 OF 4 | |