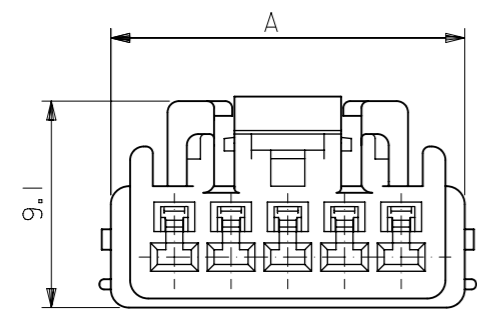
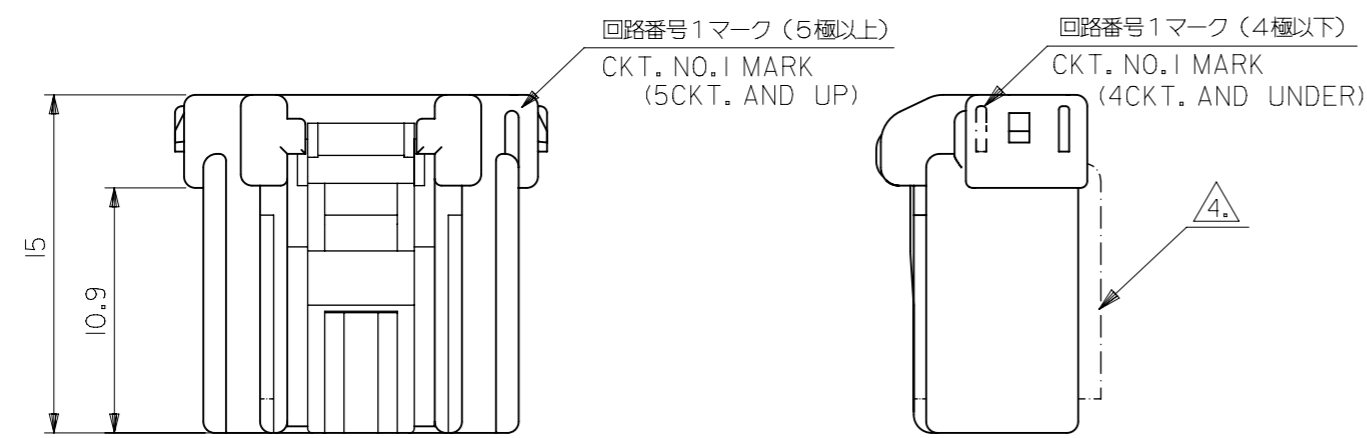
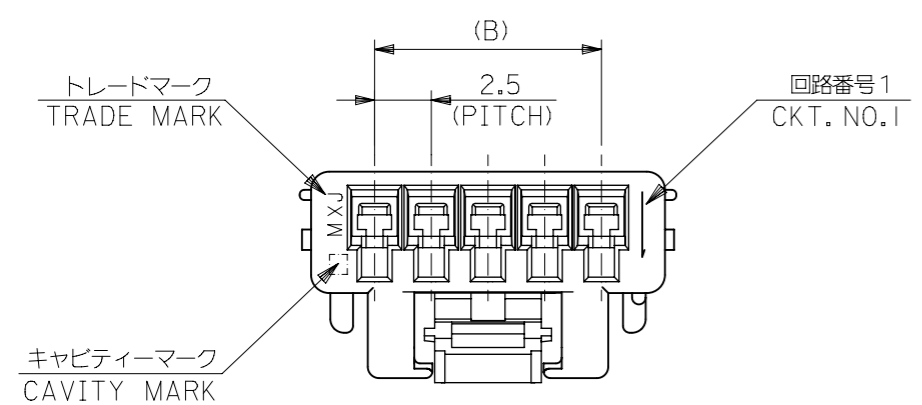


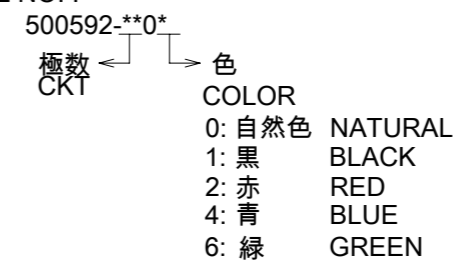
SHAPE OF  
500592-050\*



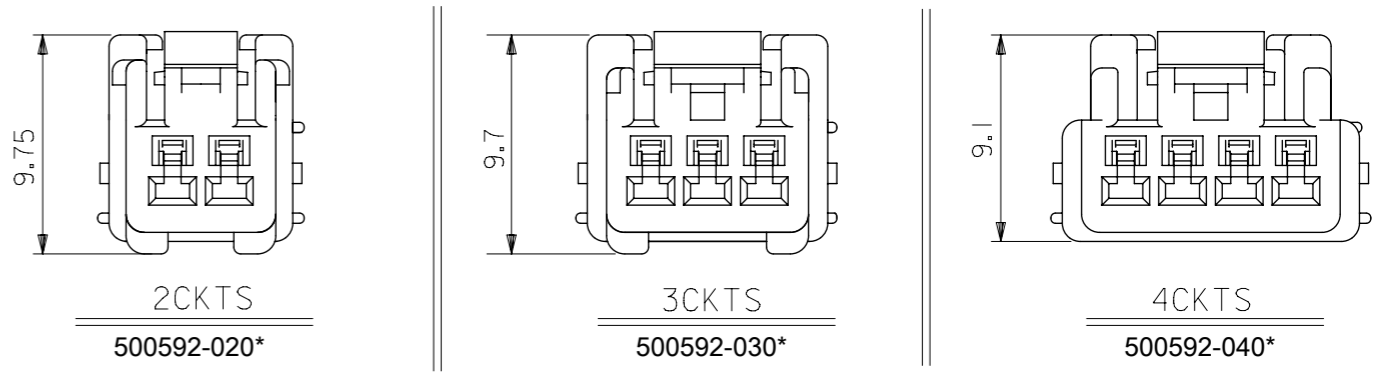
注記  
NOTES

1. 適合ターミナル : 50397シリーズ  
APPLICABLE TERMINAL : 50397 SERIES
2. 適合リテーナー : 500817シリーズ  
APPLICABLE RETAINER : 500817 SERIES
3. 嵌合相手 : 500593シリーズ  
MATE WITH : 500593 SERIES
4. 2及び3極に適用。  
APPLY 2&3 CIRCUITS.
5. 材質 : PBT (UL94V-0)  
MATERIAL : PBT(UL94V-0)

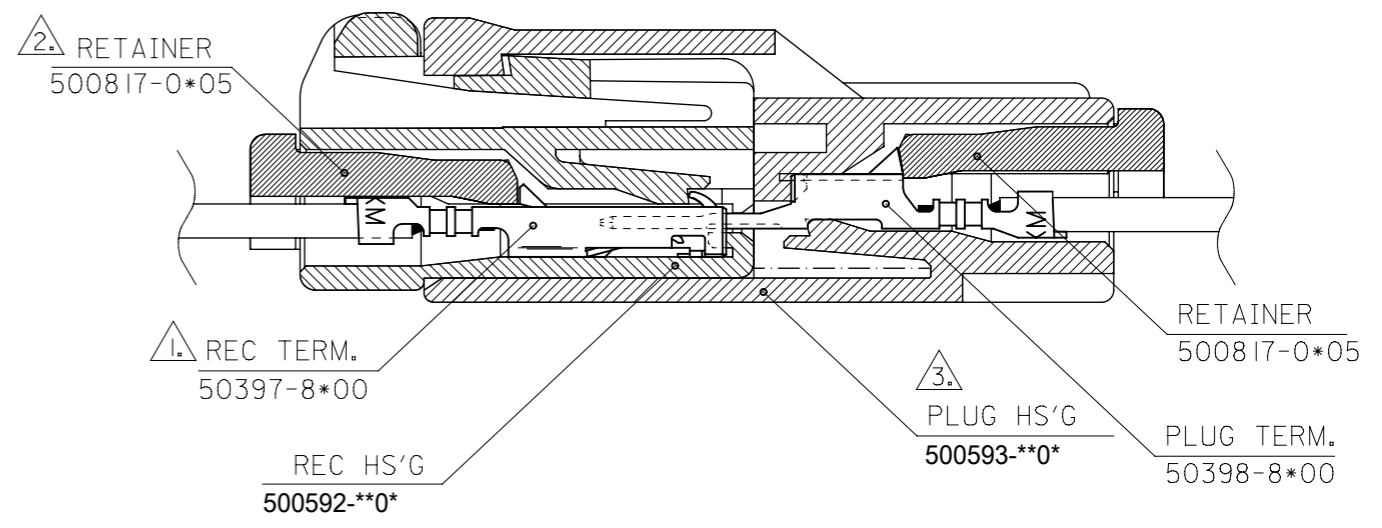
6. MATERIAL NO.は以下の内容を示す。  
MATERIAL NO. :



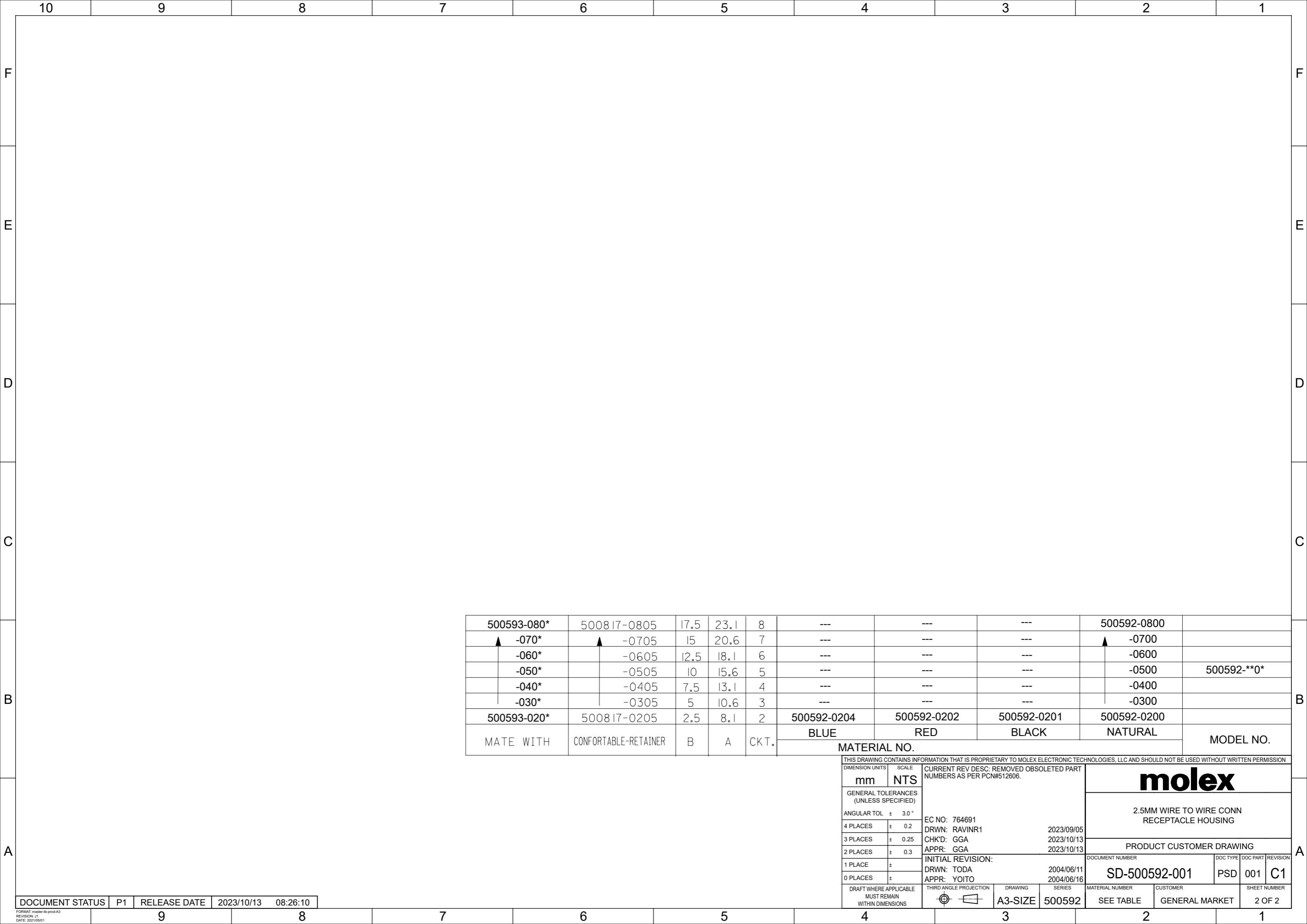
4極以下での極数レイアウト図  
LAYOUT OF 2/3/4CKTS.



ターミナル装着状態図  
TERMINAL ASSEMBLY DRAWING



THIS DRAWING CONTAINS INFORMATION THAT IS PROPRIETARY TO MOLEX ELECTRONIC TECHNOLOGIES, LLC AND SHOULD NOT BE USED WITHOUT WRITTEN PERMISSION		500592-**0*		MODEL NO.	
DIMENSION UNITS	SCALE	CURRENT REV DESC: REMOVED OBSOLETE PART NUMBERS AS PER PCN#512606.			
mm	NTS	<p><b>molex</b></p> <p>2.5MM WIRE TO WIRE CONN RECEPTACLE HOUSING</p> <p>PRODUCT CUSTOMER DRAWING</p>			
GENERAL TOLERANCES (UNLESS SPECIFIED)					
ANGULAR TOL	± 3.0°				
4 PLACES	± 0.2				
3 PLACES	± 0.25				
2 PLACES	± 0.3	EC NO: 764691	DRWN: RAVINR1	2023/09/05	
1 PLACE	±	CHK'D: GGA	APPR: GGA	2023/10/13	
0 PLACES	±	INITIAL REVISION:		DRWN: TODA	2004/06/11
DRAFT WHERE APPLICABLE MUST REMAIN WITHIN DIMENSIONS		THIRD ANGLE PROJECTION	DRAWING	SERIES	MATERIAL NUMBER
			A3-SIZE	500592	SEE TABLE
		CUSTOMER		DOCUMENT NUMBER	DOC TYPE
		GENERAL MARKET		SD-500592-001	PSD
		SHEET NUMBER		DOC PART	REVISION
		1 OF 2		001	C1



500593-080*	500817-0805	17.5	23.1	8	---	---	---	500592-0800	
▲ -070*	▲ -0705	15	20.6	7	---	---	---	▲ -0700	
-060*	-0605	12.5	18.1	6	---	---	---	-0600	
-050*	-0505	10	15.6	5	---	---	---	-0500	500592-**0*
-040*	-0405	7.5	13.1	4	---	---	---	-0400	
-030*	-0305	5	10.6	3	---	---	---	-0300	
500593-020*	500817-0205	2.5	8.1	2	500592-0204	500592-0202	500592-0201	500592-0200	
MATE WITH	CONFORTABLE-RETAINER	B	A	CKT.	BLUE	RED	BLACK	NATURAL	MODEL NO.
MATERIAL NO.									

THIS DRAWING CONTAINS INFORMATION THAT IS PROPRIETARY TO MOLEX ELECTRONIC TECHNOLOGIES, LLC AND SHOULD NOT BE USED WITHOUT WRITTEN PERMISSION									
DIMENSION UNITS	SCALE	CURRENT REV DESC: REMOVED OBSOLETE PART NUMBERS AS PER PCN#512606.							
mm	NTS	<div style="text-align: center; font-size: 24pt; font-weight: bold;">molex</div> <p>2.5MM WIRE TO WIRE CONN RECEPTACLE HOUSING</p> <p>PRODUCT CUSTOMER DRAWING</p>							
GENERAL TOLERANCES (UNLESS SPECIFIED)									
ANGULAR TOL	± 3.0 °								
4 PLACES	± 0.2								
3 PLACES	± 0.25								
2 PLACES	± 0.3	EC NO: 764691	2023/09/05						
1 PLACE	±	DRWN: RAVINR1	2023/10/13						
0 PLACES	±	CHK'D: GGA	2023/10/13						
DRAFT WHERE APPLICABLE MUST REMAIN WITHIN DIMENSIONS		THIRD ANGLE PROJECTION		DRAWING	SERIES	MATERIAL NUMBER	CUSTOMER	DOCUMENT NUMBER	DOC TYPE   DOC PART   REVISION
				A3-SIZE	500592	SEE TABLE	GENERAL MARKET	SD-500592-001	PSD   001   C1
									SHEET NUMBER
									2 OF 2

DOCUMENT STATUS	P1	RELEASE DATE	2023/10/13	08:26:10
-----------------	----	--------------	------------	----------