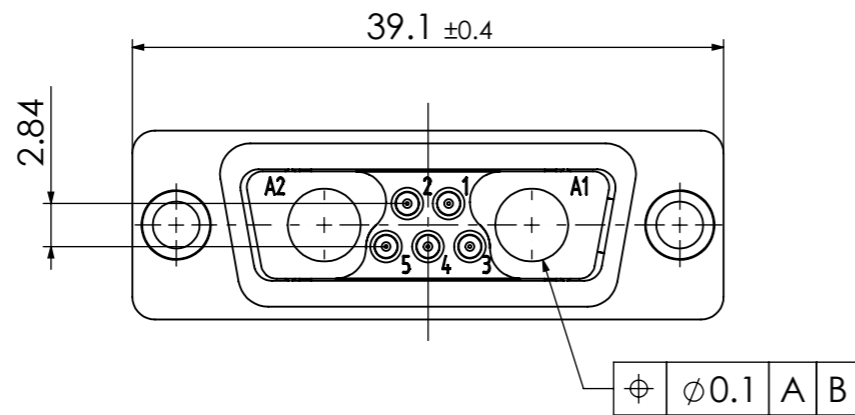
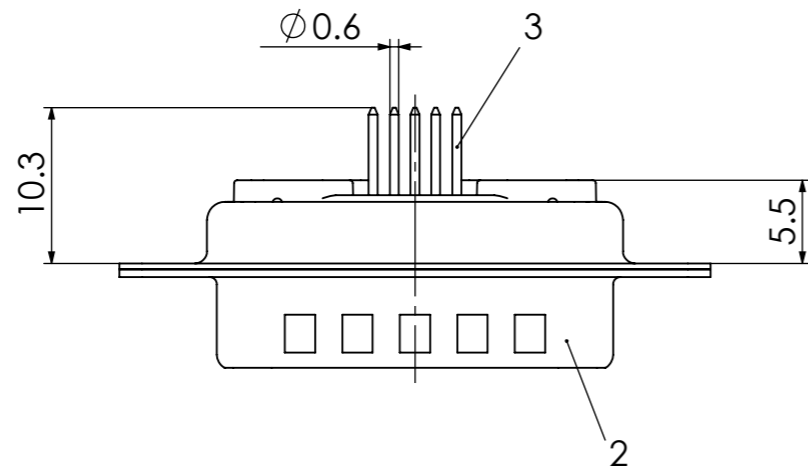
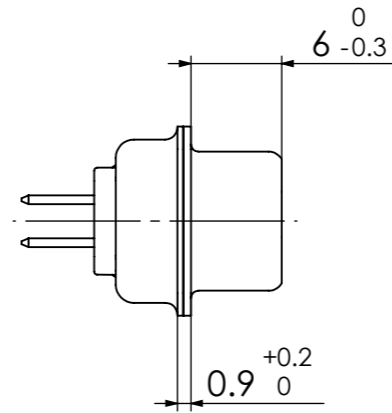
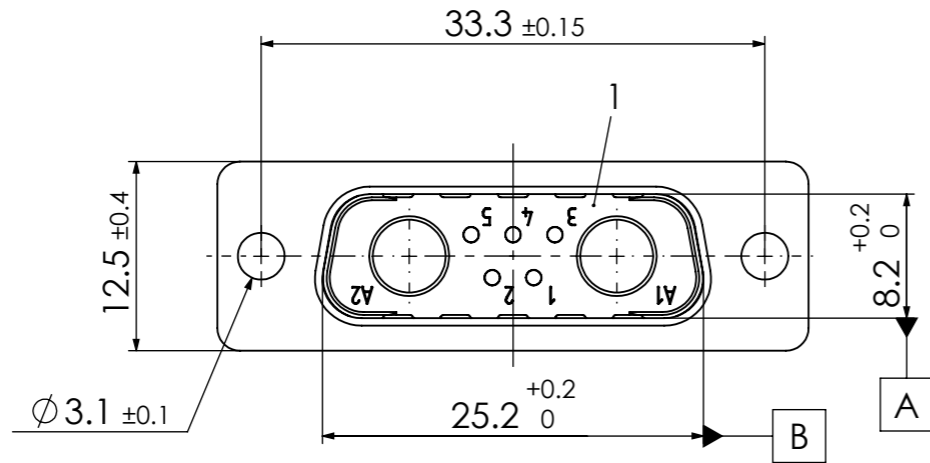
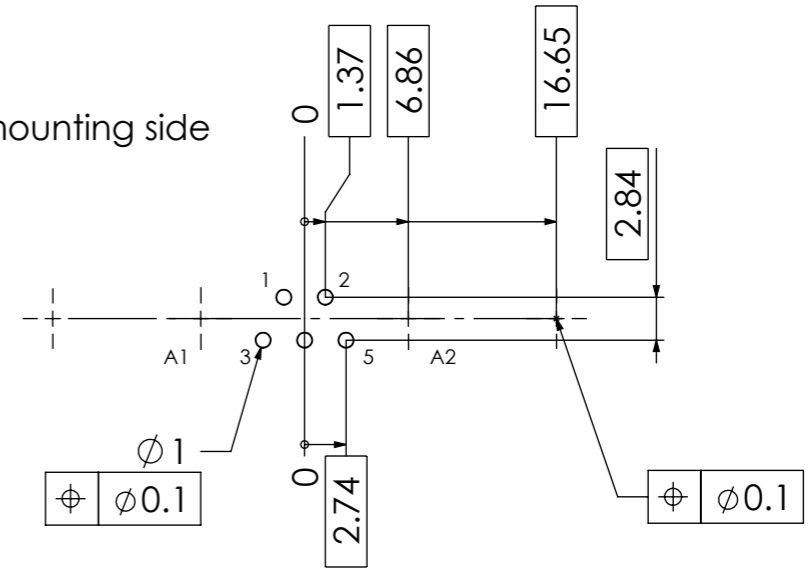


RoHS compliant  
by exemption



PCB hole pattern, mounting side



3	5	Signal contact	P1 / Brass	AuroPur
2	1	Shell	Steel	tin plated
1	1	Insulator	PBT (-55°C to +130°C) acc. UL94V-0	green
No.	St.	Part	Type Description/Material	Surface plating/Colour/Class

FUNCTIONAL SYMBOLS ▽ = 0 ▽ = 0 ▽ = 0					THIS DRAWING CONTAINS INFORMATION THAT IS PROPRIETARY TO MOLEX ELECTRONIC TECHNOLOGIES, LLC AND SHOULD NOT BE USED WITHOUT WRITTEN PERMISSION						
DIMENSION UNITS		SCALE		MEASUREMENTS WITHOUT TOLERANCE ACC. TO							
mm		2:1		ISO 2768-m							
CURRENT REVISION					PRODUCT CUSTOMER DRAWING						
DRWN: DRAWN BY			msteinbrueck		05-09-2023		MATERIAL NUMBER <b>1731071294</b>			REVISION <b>3</b>	
APPR: APPR BY			mteubel		18-09-2023						
INITIAL REVISION											
DRWN: DRAWN BY			ADenzinger		04-04-2012		DOCUMENT NUMBER <b>FM7W2P1A-K120</b>			CUSTOMER GENERAL MARKET	SHEET NUMBER 1 OF 1
APPR: APPR BY			sschref		04-04-2012						
REPLACEMENT FOR:		FIRST ANGLE PROJECTION		DRAWING							
1731071294_Rev. A1				A3-SIZE							

COMMENT: ALL RIGHTS ARE RESERVED BY US FOR THIS DRAWING. WITHOUT OUR PRIOR CONSENT, IT MAY NEITHER BE DUPLICATED NOR MADE AVAILABLE TO A THIRD PARTY. AND IT ALSO MAY NOT BE IMPROPERLY USED BY THE RECEIVER, OR A THIRD PARTY.