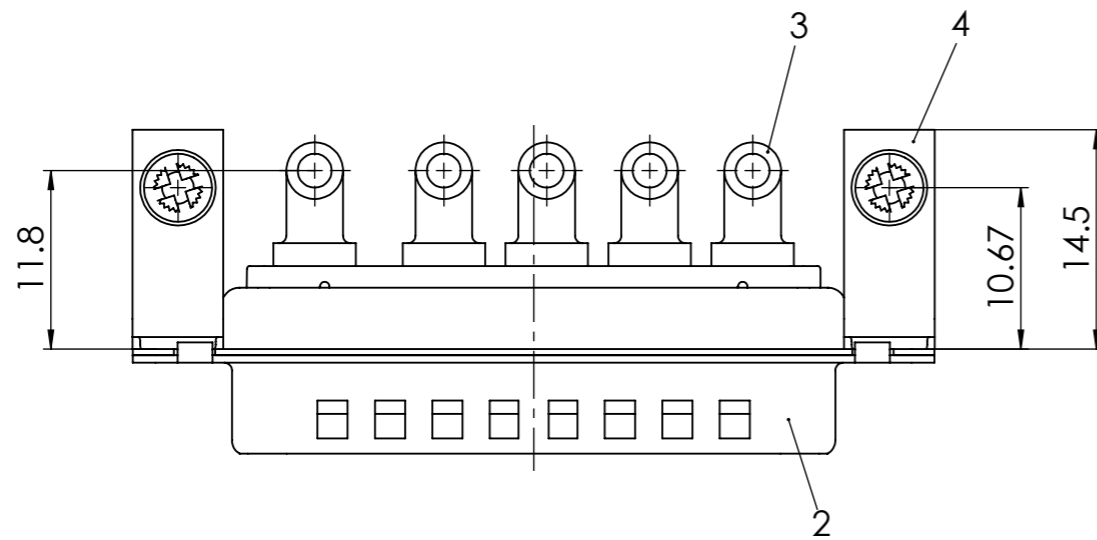
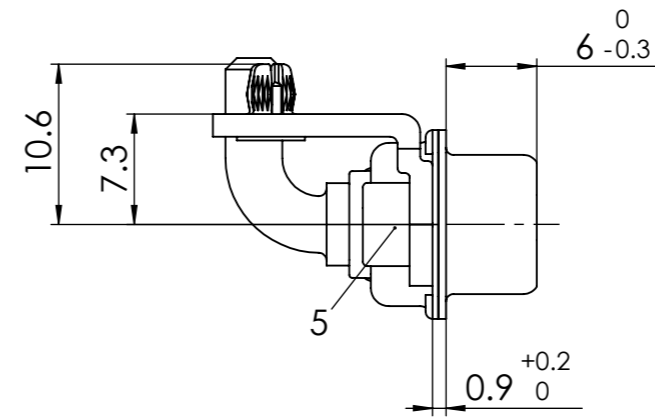
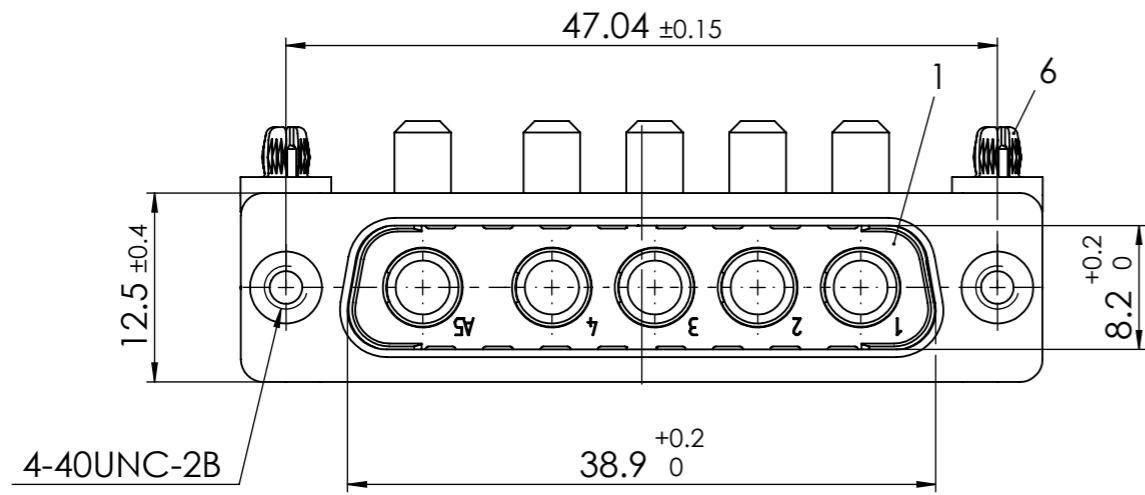
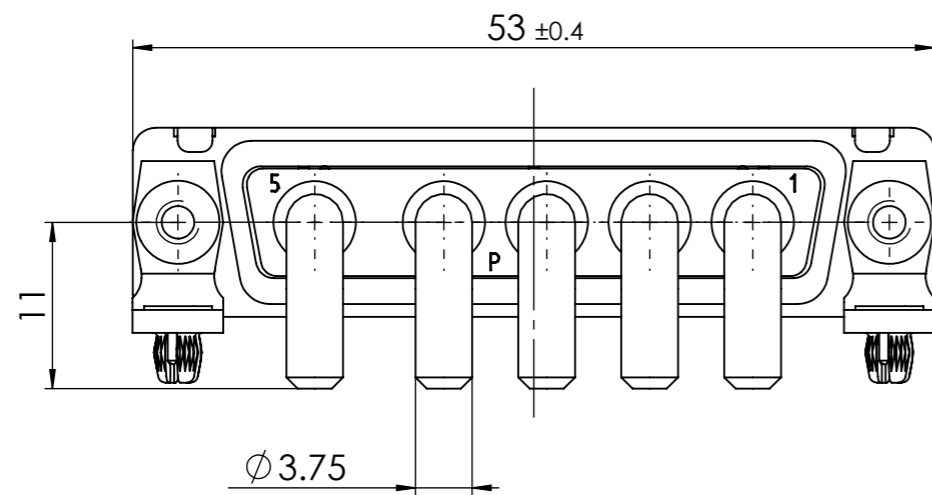
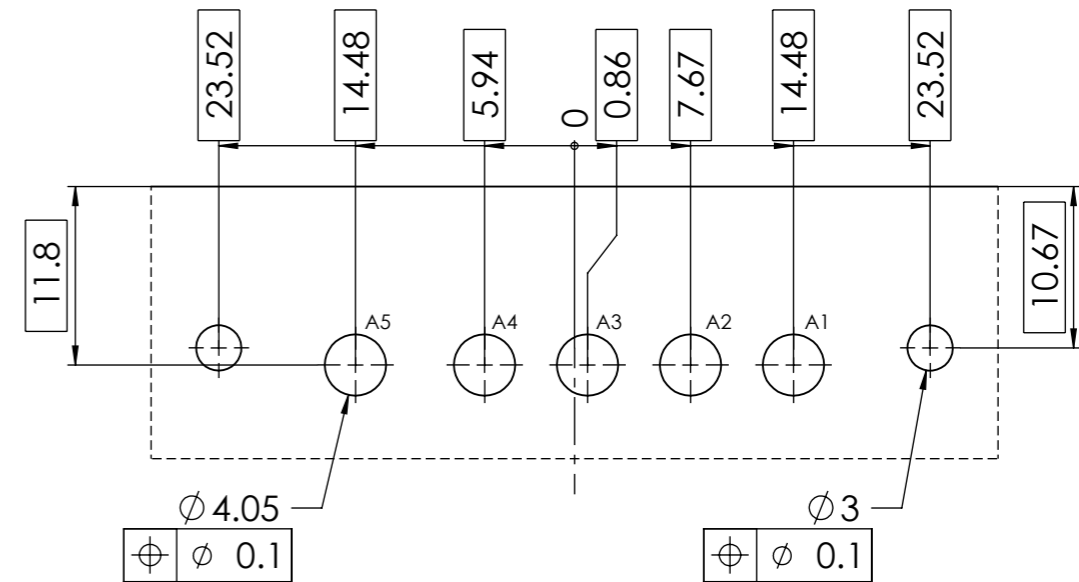


RoHS compliant
by exemption



PCB hole pattern, mounting side



No.	St.	Part	Type Description/Material	Surface plating/Colour/Class
6	2	Snap-in rivet	PCB 1.6mm / Brass	tin plated
5	2	Clinch nut	MW 4-40 / Steel	tin plated
4	2	Bracket	F1080-13B / Steel	tin plated
3	5	Higt power contact	FMP009P104R	40A
2	1	Shell	Steel	tin plated
1	1	Insulator	PBT (-55°C - +130°C) acc. UL94V-0	green

FUNCTIONAL SYMBOLS					THIS DRAWING CONTAINS INFORMATION THAT IS PROPRIETARY TO MOLEX ELECTRONIC TECHNOLOGIES, LLC AND SHOULD NOT BE USED WITHOUT WRITTEN PERMISSION						
▽ = 0	▽ = 0	▽ = 0	DIMENSION UNITS	SCALE	MEASUREMENTS WITHOUT TOLERANCE ACC. TO ISO 2768-m			molex			
			mm	2:1	CURRENT REVISION						
					4	24410	DRWN: DRAWN BY	msteinbrueck	27-07-2023	FCT D-Sub Mixed-Layout Connector	
					3	24193	APPR: APPR BY	mteubel	31-07-2023		
					2	22155	INITIAL REVISION			PRODUCT CUSTOMER DRAWING	
					1		DRWN: DRAWN BY	ADenzinger	29-04-2005	MATERIAL NUMBER	REVISION
					REV.	CH.-NO.	APPR: APPR BY	floßmann	29-04-2005	1731070592	4
					REPLACEMENT FOR:		FRIST ANGLE PROJECTION	DRAWING	DOCUMENT NUMBER	CUSTOMER	SHEET NUMBER
					1731070592_Rev. A			A3-SIZE	FM5W5P-2125	GENERAL MARKET	1 OF 1

COMMENT: ALL RIGHTS ARE RESERVED BY US FOR THIS DRAWING. WITHOUT OUR PRIOR CONSENT, IT MAY NEITHER BE DUPLICATED NOR MADE AVAILABLE TO A THIRD PARTY. AND IT ALSO MAY NOT BE IMPROPERLY USED BY THE RECEIVER, OR A THIRD PARTY.