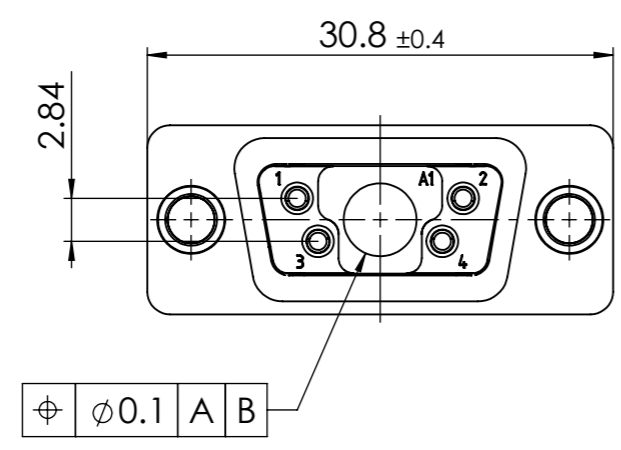
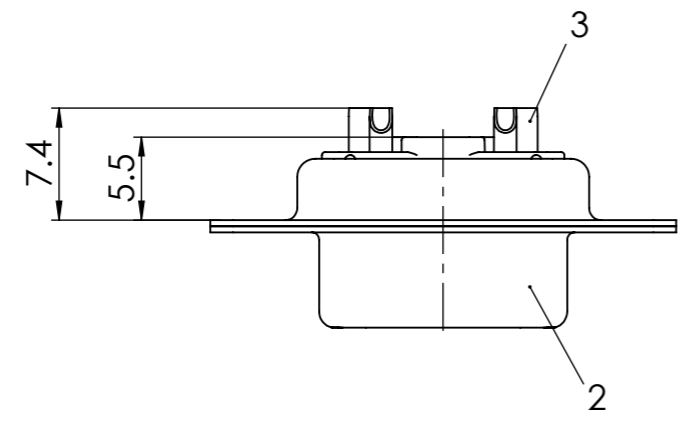
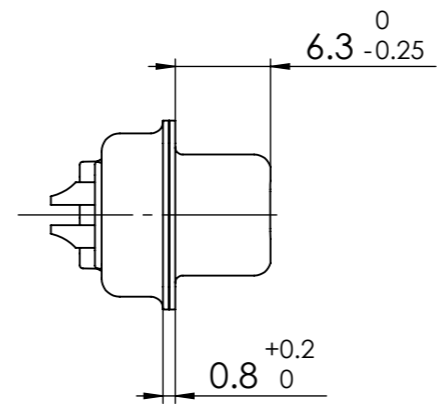
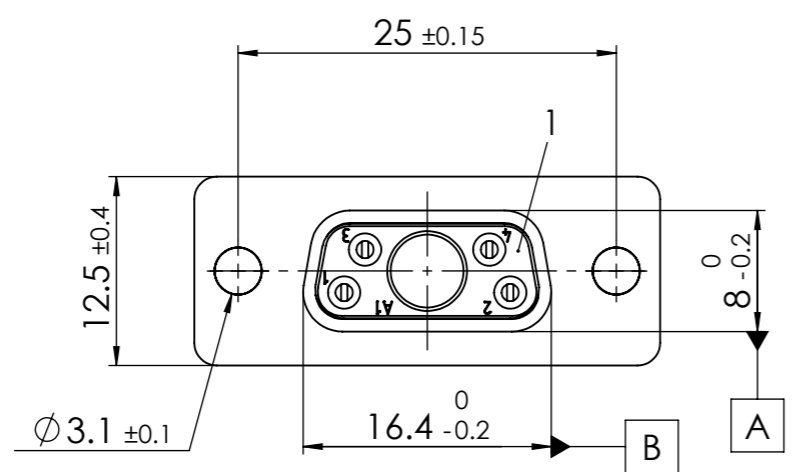


RoHS compliant  
by exemption



3	4	Signal contact	SO / Brass	AuroPur / AWG 20
2	1	Shell	Steel	tin plated
1	1	Insulator	PBT (-55°C to +130°C) acc. UL94V-0	green
No.	St.	Part	Type Description/Material	Surface plating/Colour/Class

FUNCTIONAL SYMBOLS ▽ = 0 ▽ = 0 ▽ = 0					THIS DRAWING CONTAINS INFORMATION THAT IS PROPRIETARY TO MOLEX ELECTRONIC TECHNOLOGIES, LLC AND SHOULD NOT BE USED WITHOUT WRITTEN PERMISSION					
DIMENSION UNITS		SCALE		MEASUREMENTS WITHOUT TOLERANCE ACC. TO						
mm		2:1		ISO 2768-mK						
CURRENT REVISION							FCT D-Sub Mixed-Layout Connector			
DRWN: DRAWN BY		msteinbrueck		08-01-2024						
APPR: APPR BY		mteubel		11-01-2024						
INITIAL REVISION							PRODUCT CUSTOMER DRAWING			
DRWN: DRAWN BY		tschneider01		03-09-2015		MATERIAL NUMBER		REVISION		
APPR: APPR BY		sschref		07-09-2015		1731070118		3		
REPLACEMENT FOR:			FIRST ANGLE PROJECTION		DRAWING		DOCUMENT NUMBER		CUSTOMER	SHEET NUMBER
1731070118_Rev. A1					A3-SIZE		FM5W1SA-K121		GENERAL MARKET	1 OF 1

COMMENT: ALL RIGHTS ARE RESERVED BY US FOR THIS DRAWING. WITHOUT OUR PRIOR CONSENT, IT MAY NEITHER BE DUPLICATED NOR MADE AVAILABLE TO A THIRD PARTY. AND IT ALSO MAY NOT BE IMPROPERLY USED BY THE RECEIVER, OR A THIRD PARTY.