

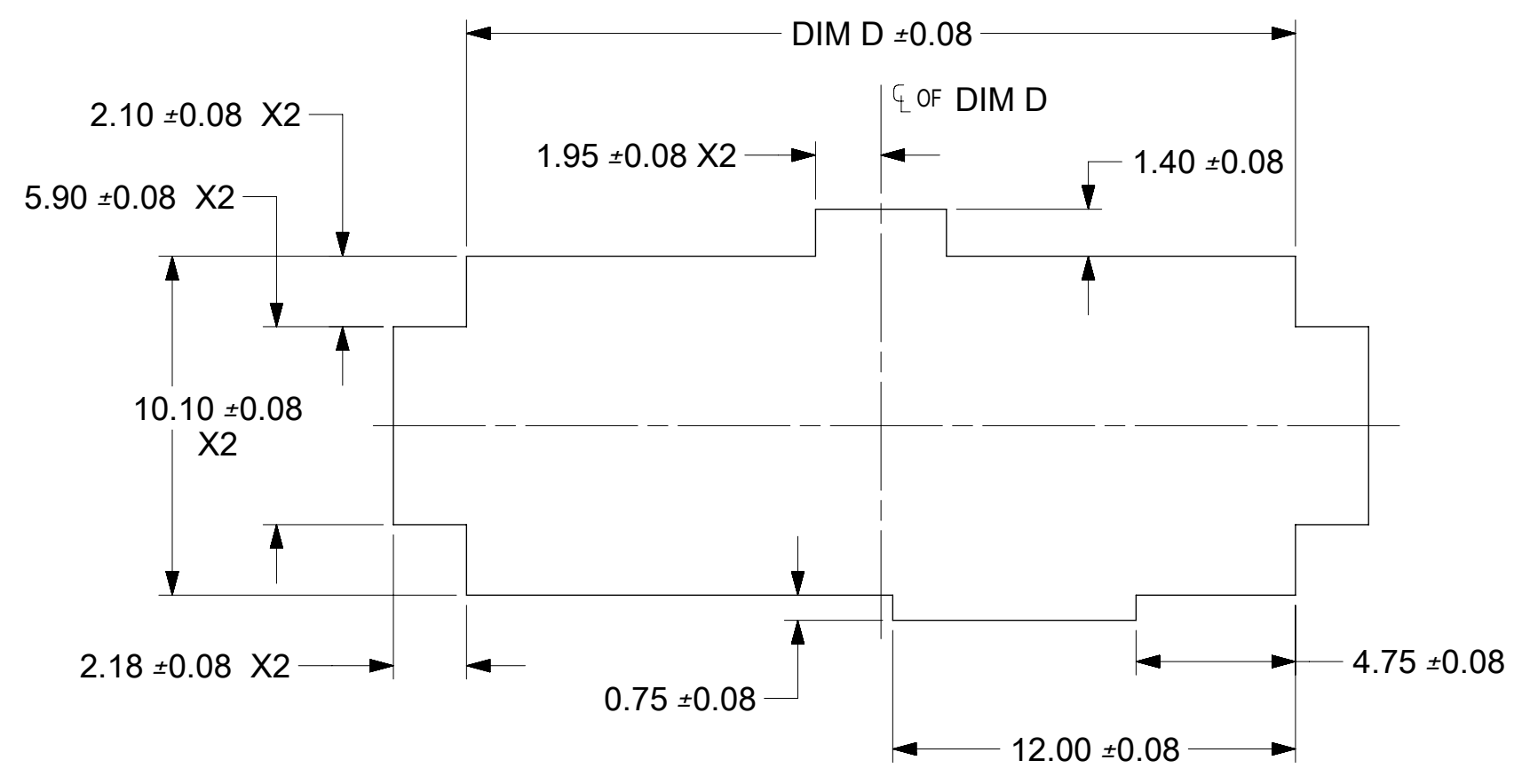
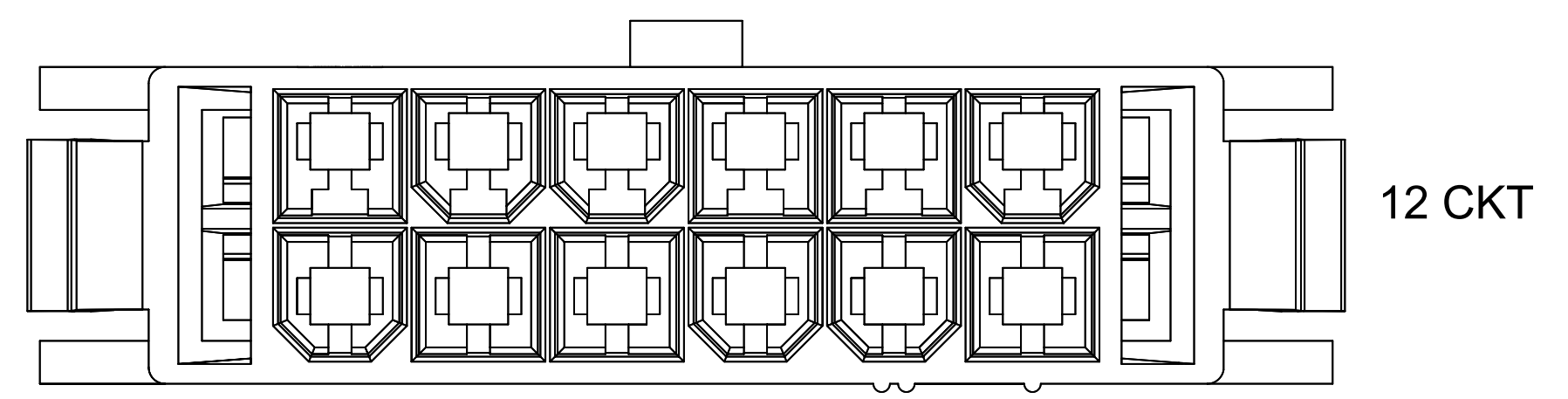
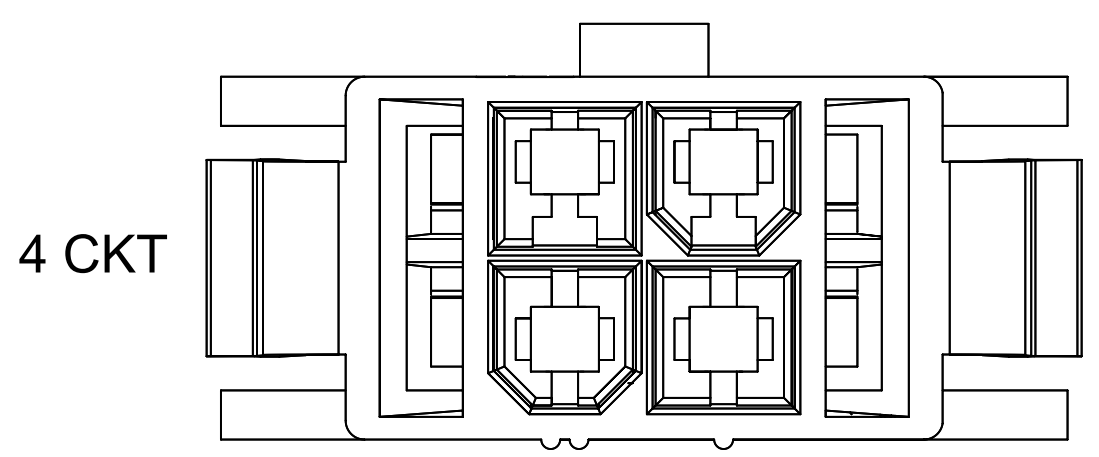
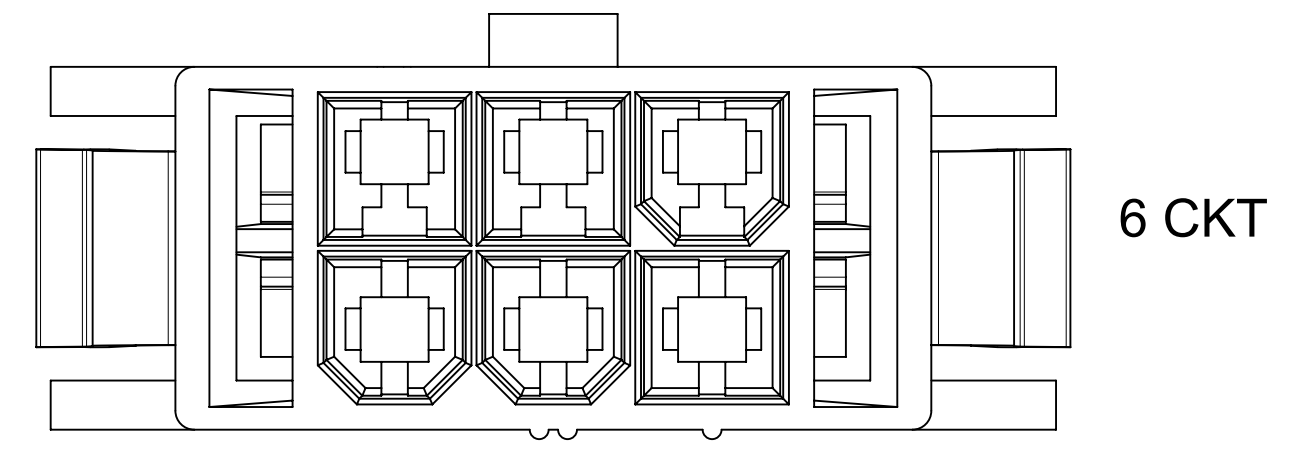
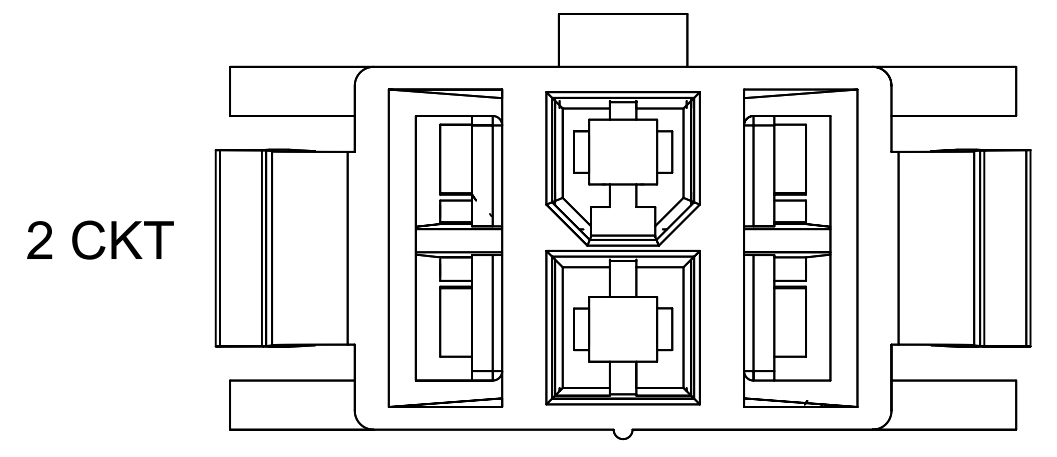
- NOTES:**
- MATERIAL:**  
 'A' = NYLON V-0 LOW HALOGEN; COLOR: BLACK  
 'B' = NYLON V-2 GLOW WIRE CAPABLE; COLOR: BLACK  
 'C' = NYLON V-2; COLOR: BLACK
  - FINISH:** NONE
  - PRODUCT SPECIFICATION:** PS-172718-0000 and 2029880001-PS  
**APPLICATION SPECIFICATION:** AS-172718-0000
  - PACKAGING SPECIFICATION:** BULK  
 PK-172767-0000  
 REFER TO AS-45499-001 FOR MOISTURIZING NYLON CONNECTOR PARTS.
  - THIS PART TO BE USED WITH MALE TERMINAL SERIES 172765, 203070 AND TPA SERIES 172709.
  - THIS PART MATES WITH SERIES 5557 AND 172708.
  - THIS PART CONFORMS TO CLASS 'B' REQUIREMENTS OF COSMETIC SPECIFICATION PS-45499-002.
  - THIS PRODUCT MUST BE USED WITH THE TPA INSTALLED.
  - SEE DRAWING SD-172709-0000 AND 1727090001-SD FOR OTHER TPA INFORMATION.
  - SEE DRAWINGS SD-172765-0000 and 2030700001-PSD FOR OTHER CRIMP TERMINAL INFORMATION.

THIS DRAWING CONTAINS INFORMATION THAT IS PROPRIETARY TO MOLEX ELECTRONIC TECHNOLOGIES, LLC AND SHOULD NOT BE USED WITHOUT WRITTEN PERMISSION									
DIMENSION UNITS		SCALE		CURRENT REV DESC: TOL. UPDT PER EGD					
mm		5:1							
GENERAL TOLERANCES (UNLESS SPECIFIED)									
ANGULAR TOL		± °		EC NO: 628539					
4 PLACES		±		DRWN: GJEEVANSURES 2019/11/27					
3 PLACES		±		CHK'D: GJEEVANSURES 2020/03/26					
2 PLACES		± 0.13		APPR: NCSR 2020/03/27					
1 PLACE		± 0.2		INITIAL REVISION:					
0 PLACES		±		DRWN: TGREGORI 2015/02/16					
				APPR: RHODGE 2015/02/26					
DRAFT WHERE APPLICABLE MUST REMAIN WITHIN DIMENSIONS				THIRD ANGLE PROJECTION		DRAWING		SERIES	
				C-SIZE		172767			
<b>molex</b>									
HOUSING, DUAL ROW PLUG PANEL MOUNT MINI-FIT TPA2									
PRODUCT CUSTOMER DRAWING									
DOCUMENT NUMBER				DOC TYPE		DOC PART		REVISION	
SD-172767-0000				PSD		000		E4	
MATERIAL NUMBER				CUSTOMER				SHEET NUMBER	
SEE TABLE				GENERAL MARKET				1 OF 6	

PART NUMBER	CKTS	DIM C	DIM D	MATERIAL
1727670002	2	14.20	14.70	A
1727670102				B
1727670202				C
1727670004	4	15.80	16.30	A
1727670104				B
1727670204				C
1727670006	6	20.00	20.50	A
1727670106				B
1727670206				C
1727670012	12	32.60	33.10	A
1727670112				B
1727670212				C

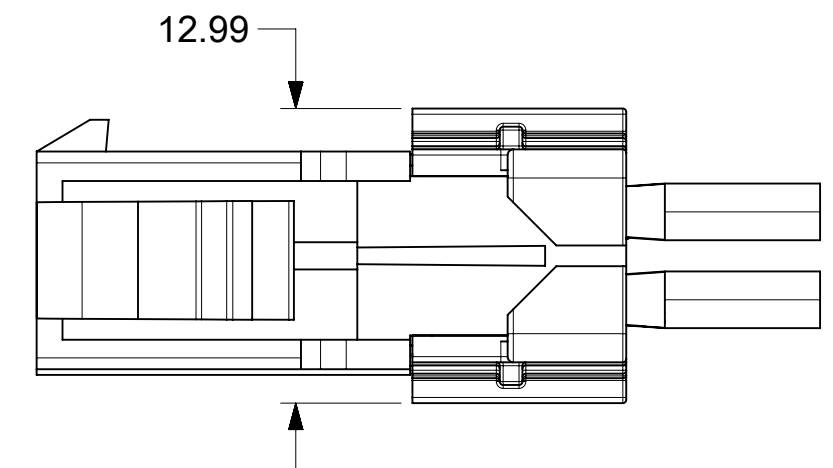
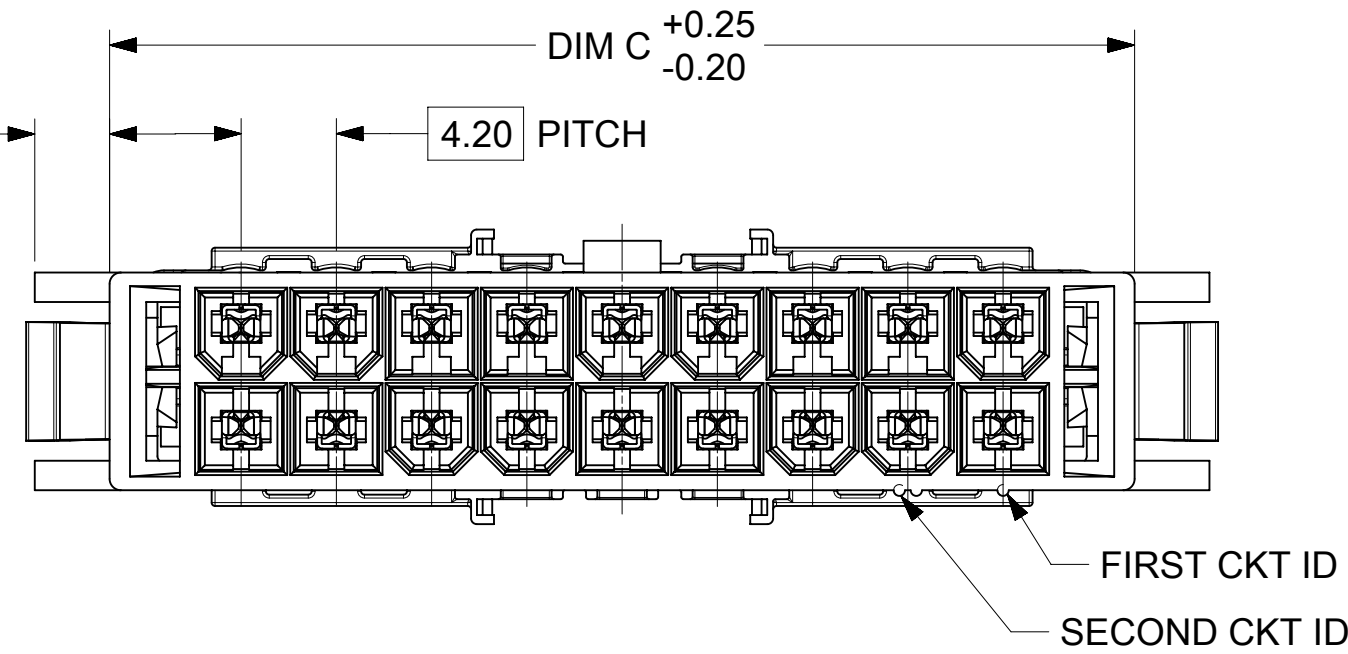
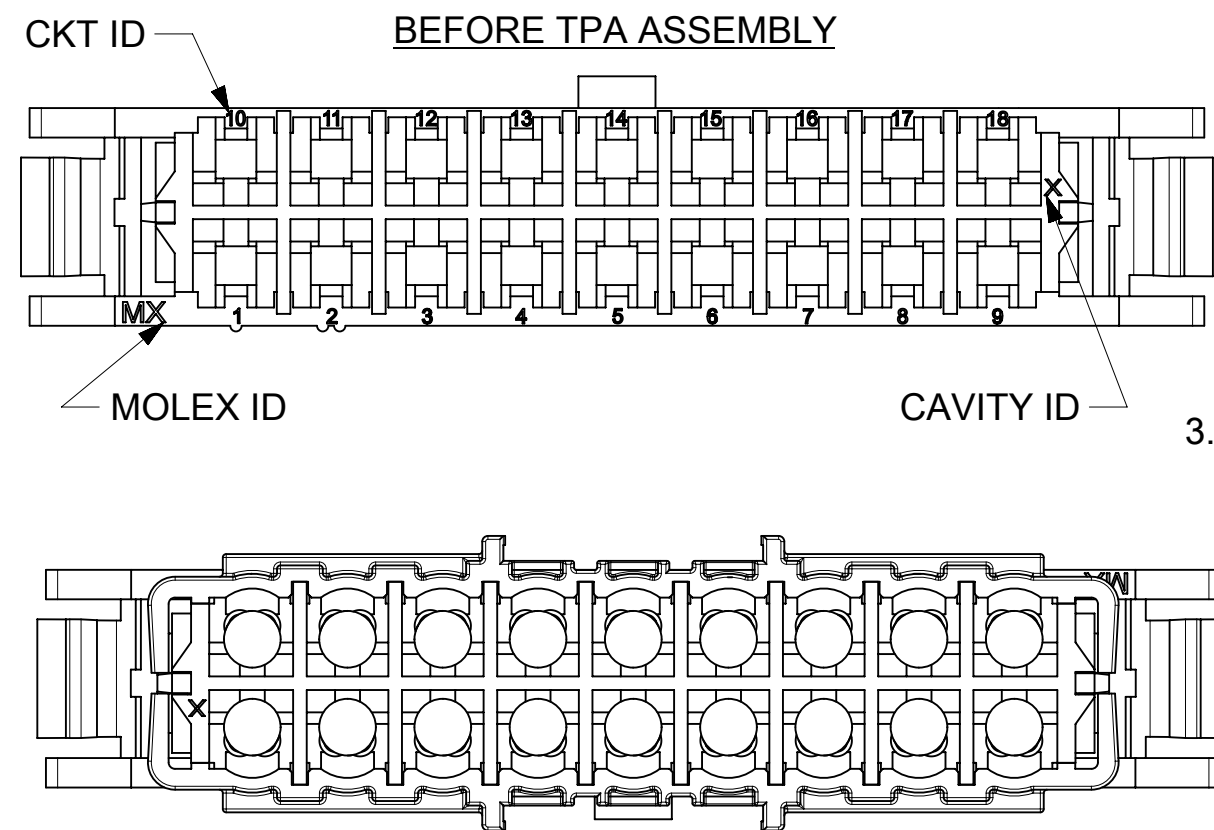
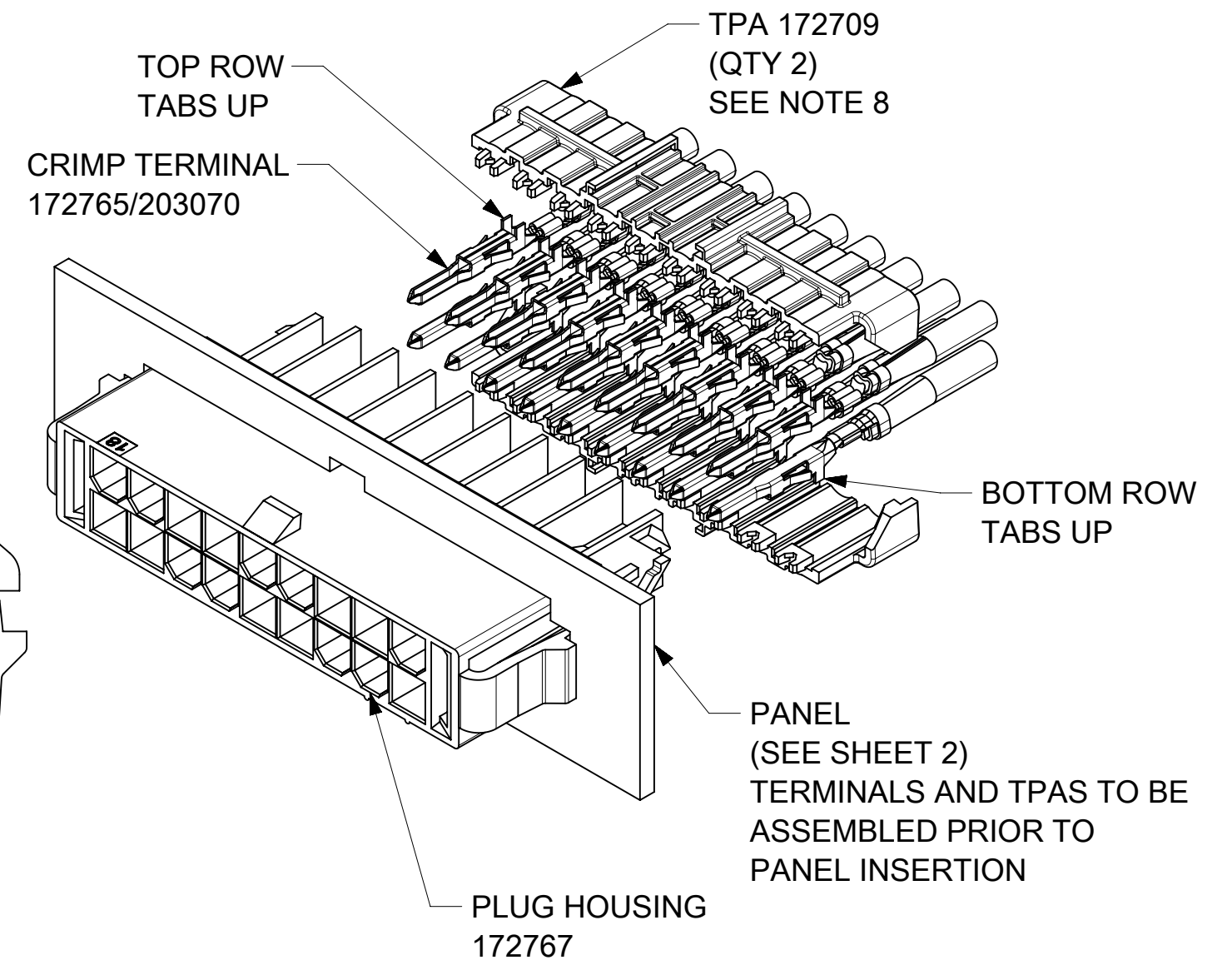
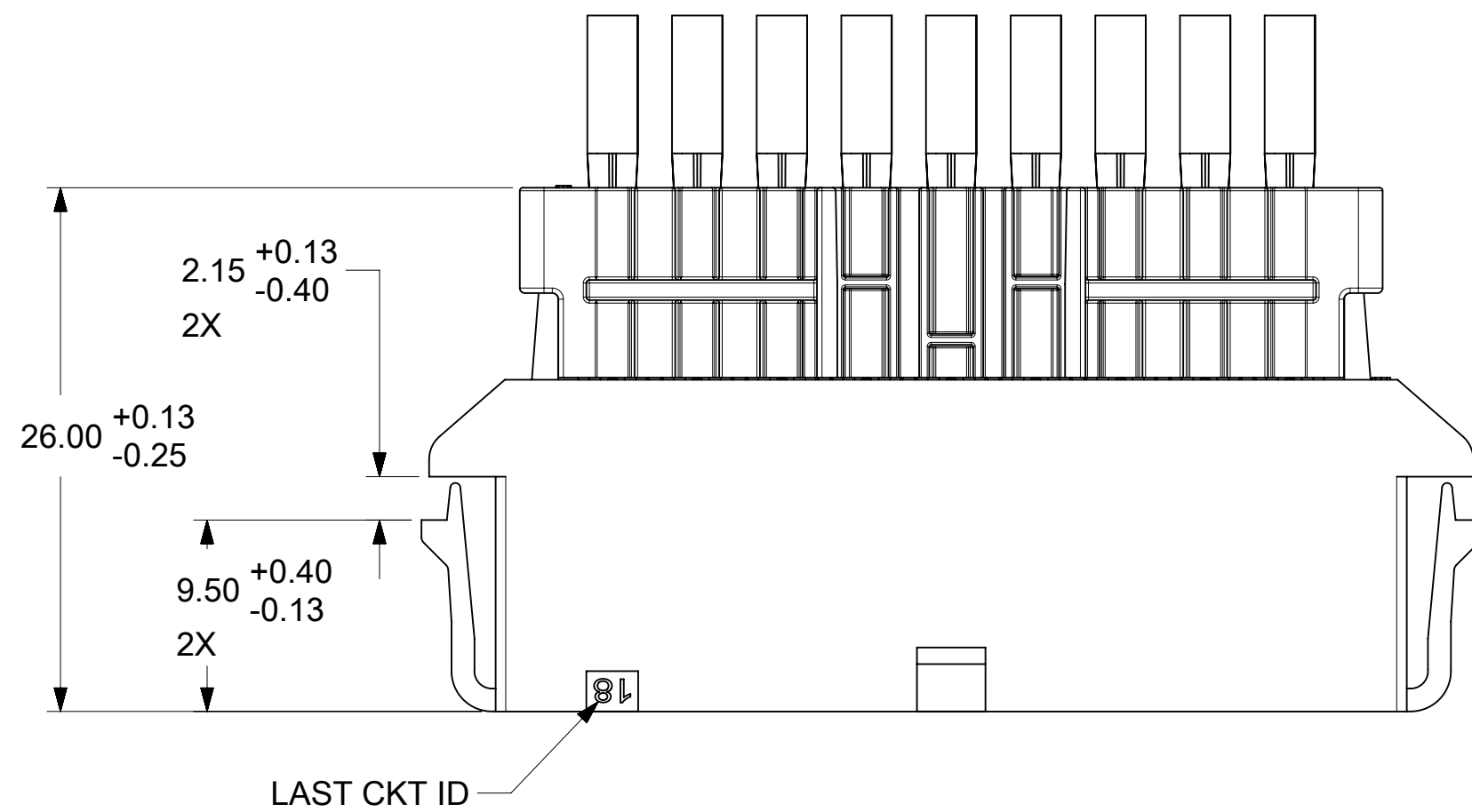
# POLARIZATION DETAIL

SHOWN WITHOUT TPA OR TERMINAL FOR CLARITY



RECOMMENDED PANEL CUT-OUT  
(VIEW FROM MATING SIDE)  
MAX PANEL THICKNESS 1.60

THIS DRAWING CONTAINS INFORMATION THAT IS PROPRIETARY TO MOLEX ELECTRONIC TECHNOLOGIES, LLC AND SHOULD NOT BE USED WITHOUT WRITTEN PERMISSION											
DIMENSION UNITS	SCALE	CURRENT REV DESC: TOL. UPDT PER EGD									
mm	5:1	<b>molex</b>									
GENERAL TOLERANCES (UNLESS SPECIFIED)		HOUSING, DUAL ROW PLUG PANEL MOUNT MINI-FIT TPA2									
ANGULAR TOL ± °		PRODUCT CUSTOMER DRAWING									
4 PLACES ±		EC NO: 628539		DRWN: GJEEVANSURES 2019/11/27		CHK'D: GJEEVANSURES 2020/03/26		APPR: NCSR 2020/03/27		INITIAL REVISION:	
3 PLACES ±		DRWN: TGREGORI 2015/02/16		APPR: RHODGE 2015/02/26		DOCUMENT NUMBER		DOC TYPE		DOC PART REVISION	
2 PLACES ± 0.13		SD-172767-0000		PSD		000		E4		SHEET NUMBER	
1 PLACE ± 0.2		SEE TABLE		GENERAL MARKET		2 OF 6		MATERIAL NUMBER		CUSTOMER	
0 PLACES ±		DRAFT WHERE APPLICABLE MUST REMAIN WITHIN DIMENSIONS		THIRD ANGLE PROJECTION		DRAWING		SERIES		MATERIAL NUMBER	
		C-SIZE		172767							



**NOTES:**

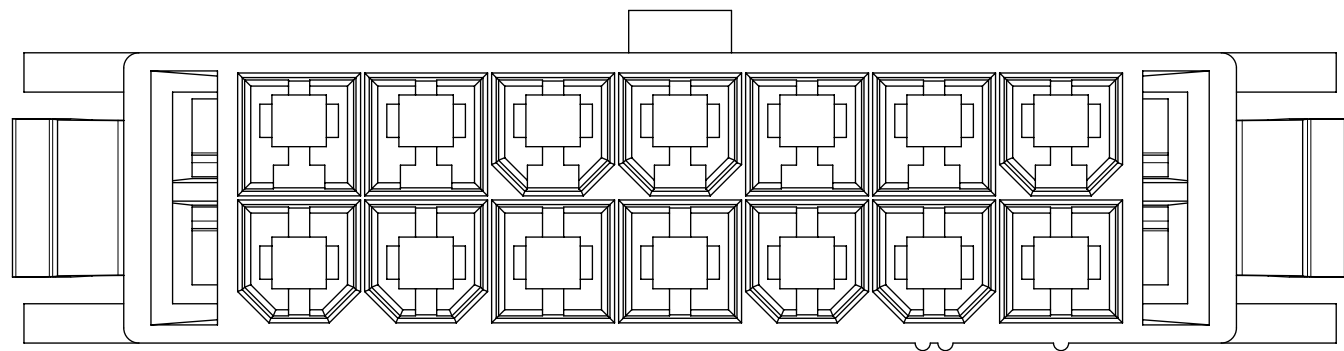
1. MATERIAL:  
'A' = NYLON V-0 LOW HALOGEN; COLOR: BLACK  
'B' = NYLON V-2 GLOW WIRE CAPABLE; COLOR: BLACK
2. FINISH: NONE
3. PRODUCT SPECIFICATION: PS-172718-0000 and 2029880001-PS  
APPLICATION SPECIFICATION: AS-172718-0000
4. PACKAGING SPECIFICATION: BULK  
1727670001-PK  
REFER TO AS-45499-001 FOR MOISTURIZING NYLON CONNECTOR PARTS.
5. THIS PART TO BE USED WITH MALE TERMINAL SERIES 172765, 203070 AND TPA SERIES 172709.
6. THIS PART MATES WITH SERIES 5557 AND 172708.
7. THIS PART CONFORMS TO CLASS 'B' REQUIREMENTS OF COSMETIC SPECIFICATION PS-45499-002.
8. THIS PRODUCT MUST BE USED WITH THE TPA INSTALLED.
9. SEE DRAWING 1727090001-SD FOR OTHER TPA INFORMATION.
10. SEE DRAWINGS SD-172765-0000 and 2030700001-PSD FOR OTHER CRIMP TERMINAL INFORMATION.

THIS DRAWING CONTAINS INFORMATION THAT IS PROPRIETARY TO MOLEX ELECTRONIC TECHNOLOGIES, LLC AND SHOULD NOT BE USED WITHOUT WRITTEN PERMISSION

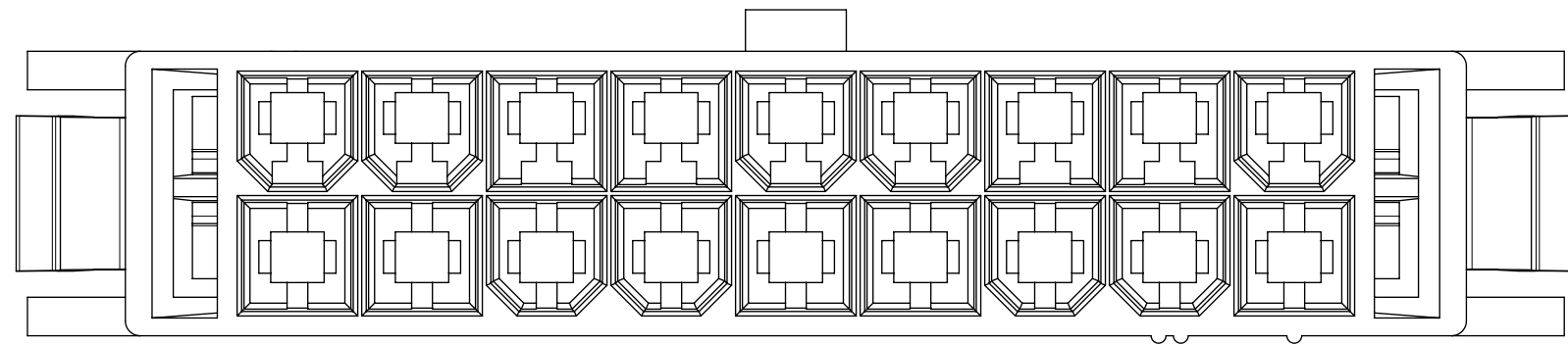
DIMENSION UNITS	SCALE	CURRENT REV DESC: TOL. UPDT PER EGD	
mm	5:1		
GENERAL TOLERANCES (UNLESS SPECIFIED)		<b>molex</b> HOUSING, DUAL ROW PLUG PANEL MOUNT MINI-FIT TPA2 PRODUCT CUSTOMER DRAWING	
ANGULAR TOL	± °		
4 PLACES	±		
3 PLACES	±		
2 PLACES	± 0.13		
1 PLACE	± 0.2	EC NO: 628539 DRWN: GJEEVANSURES 2019/11/27 CHK'D: GJEEVANSURES 2020/03/26 APPR: NCSR 2020/03/27	
0 PLACES	±	INITIAL REVISION: DRWN: TGREGORI 2015/02/16 APPR: RHODGE 2015/02/26	
DRAFT WHERE APPLICABLE MUST REMAIN WITHIN DIMENSIONS		THIRD ANGLE PROJECTION	DRAWING SERIES
			C-SIZE 172767
DOCUMENT STATUS		DOCUMENT NUMBER	DOC TYPE   DOC PART   REVISION
P1	RELEASE DATE 2020/03/27 05:21:35	SD-172767-0000	PSD 000 E4
		MATERIAL NUMBER	CUSTOMER SHEET NUMBER
		SEE TABLE	GENERAL MARKET 3 OF 6

# POLARIZATION DETAIL

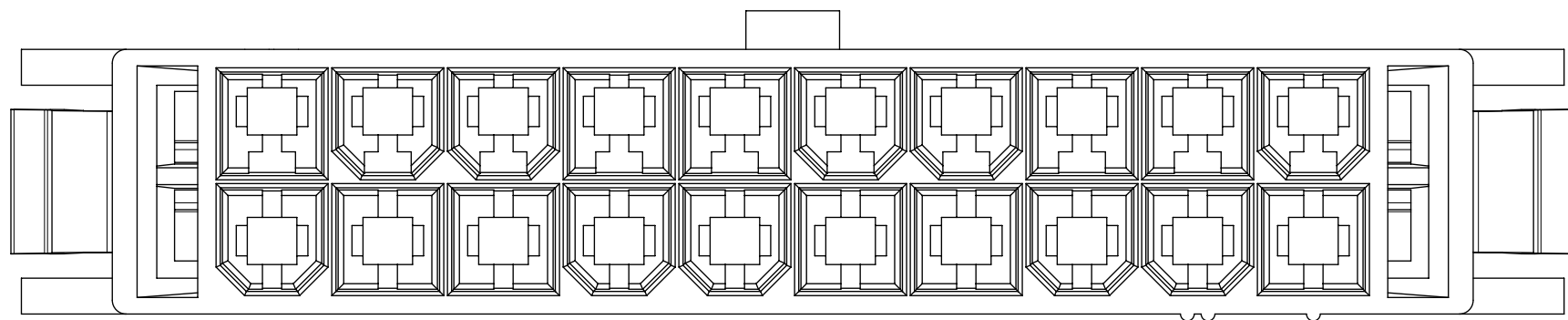
SHOWN WITHOUT TPA OR TERMINAL FOR CLARITY



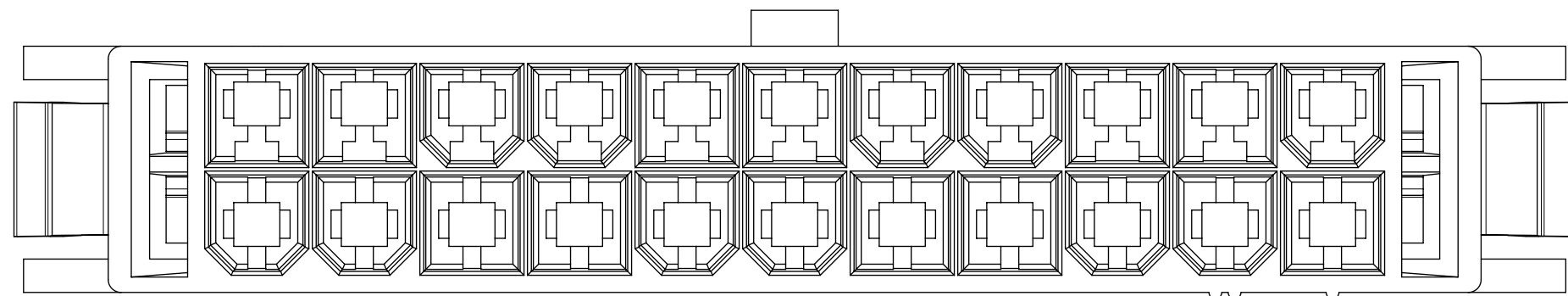
14 CKT



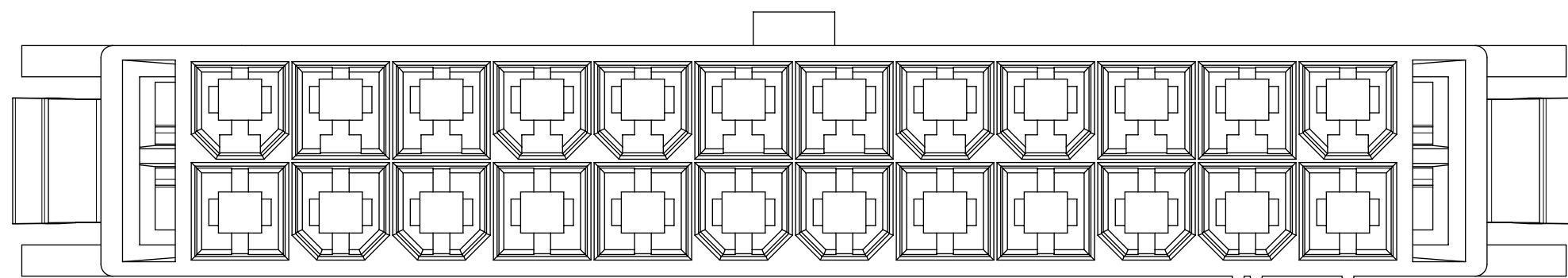
18 CKT



20 CKT



22 CKT



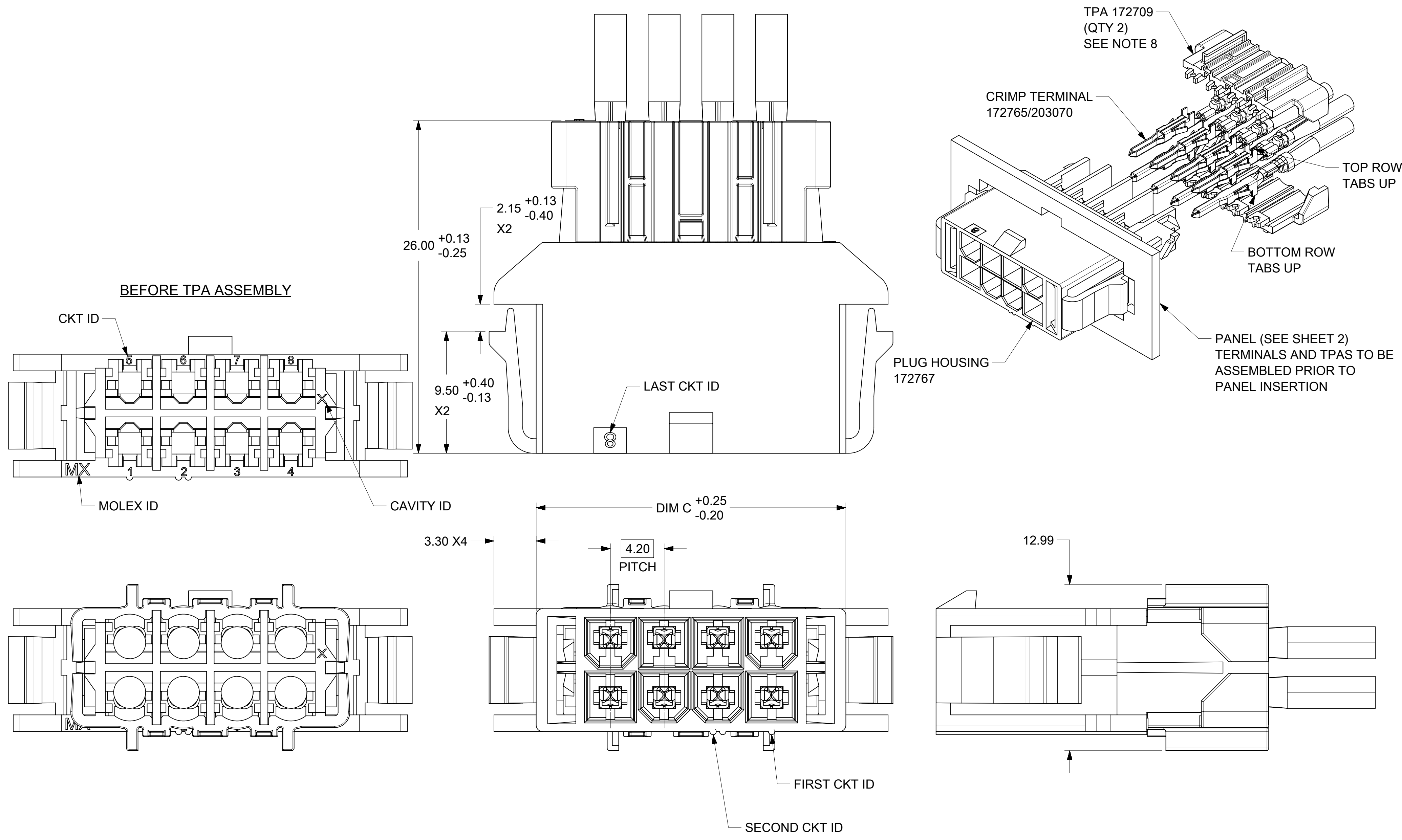
24 CKT

PART NUMBER	CKT	DIM C	DIM D	MATERIAL
1727670014	14	36.80	37.30	A
1727670114				B
1727670018	18	45.20	45.70	A
1727670118				B
1727670020	20	49.40	49.90	A
1727670120				B
1727670022	22	53.60	54.10	A
1727670122				B
1727670024	24	57.80	58.30	A
1727670124				B

THIS DRAWING CONTAINS INFORMATION THAT IS PROPRIETARY TO MOLEX ELECTRONIC TECHNOLOGIES, LLC AND SHOULD NOT BE USED WITHOUT WRITTEN PERMISSION

DIMENSION UNITS: <b>mm</b>		SCALE: <b>5:1</b>		CURRENT REV DESC: TOL. UPDT PER EGD									
GENERAL TOLERANCES (UNLESS SPECIFIED)				EC NO: 628539								HOUSING, DUAL ROW PLUG PANEL MOUNT MINI-FIT TPA2	
ANGULAR TOL ± °				DRWN: GJEEVANSURES 2019/11/27		2020/03/26		PRODUCT CUSTOMER DRAWING					
4 PLACES ±				CHK'D: GJEEVANSURES		2020/03/27						DOCUMENT NUMBER: <b>SD-172767-0000</b>	
3 PLACES ±				APPR: NCSR		2020/03/27		DOC TYPE: PSD		DOC PART: 000			
2 PLACES ± 0.13				INITIAL REVISION:				MATERIAL NUMBER: SEE TABLE					
1 PLACE ± 0.2				DRWN: TGREGORI 2015/02/16		2015/02/26						CUSTOMER: GENERAL MARKET	
0 PLACES ±				APPR: RHODGE									
DRAFT WHERE APPLICABLE MUST REMAIN WITHIN DIMENSIONS				THIRD ANGLE PROJECTION		DRAWING: C-SIZE		SERIES: 172767					

DOCUMENT STATUS	P1	RELEASE DATE	2020/03/27 05:21:35
-----------------	----	--------------	---------------------



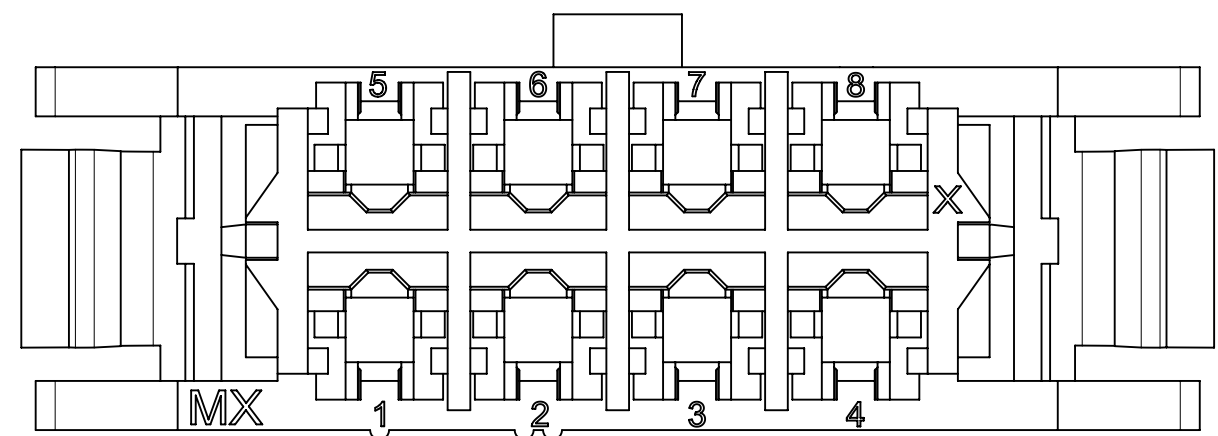
NOTES:  
 1. FOR 8CKT AND 10CKT REFER NOTES IN SHEET 1.  
 2. FOR 16CKT REFER NOTES IN SHEET 3.

THIS DRAWING CONTAINS INFORMATION THAT IS PROPRIETARY TO MOLEX ELECTRONIC TECHNOLOGIES, LLC AND SHOULD NOT BE USED WITHOUT WRITTEN PERMISSION									
DIMENSION UNITS		SCALE		CURRENT REV DESC: TOL. UPDT PER EGD					
mm		5:1		<b>molex</b> HOUSING, DUAL ROW PLUG PANEL MOUNT MINI-FIT TPA2 PRODUCT CUSTOMER DRAWING DOCUMENT NUMBER: SD-172767-0000 DOC TYPE: PSD DOC PART: 000 REVISION: E4 MATERIAL NUMBER: SEE TABLE CUSTOMER: GENERAL MARKET SHEET NUMBER: 5 OF 6					
GENERAL TOLERANCES (UNLESS SPECIFIED)									
ANGULAR TOL ± °									
4 PLACES ±									
3 PLACES ±									
2 PLACES ± 0.13									
1 PLACE ± 0.2									
0 PLACES ±				INITIAL REVISION:					
DRAFT WHERE APPLICABLE MUST REMAIN WITHIN DIMENSIONS				THIRD ANGLE PROJECTION		DRAWING		SERIES	
				C-SIZE		172767			

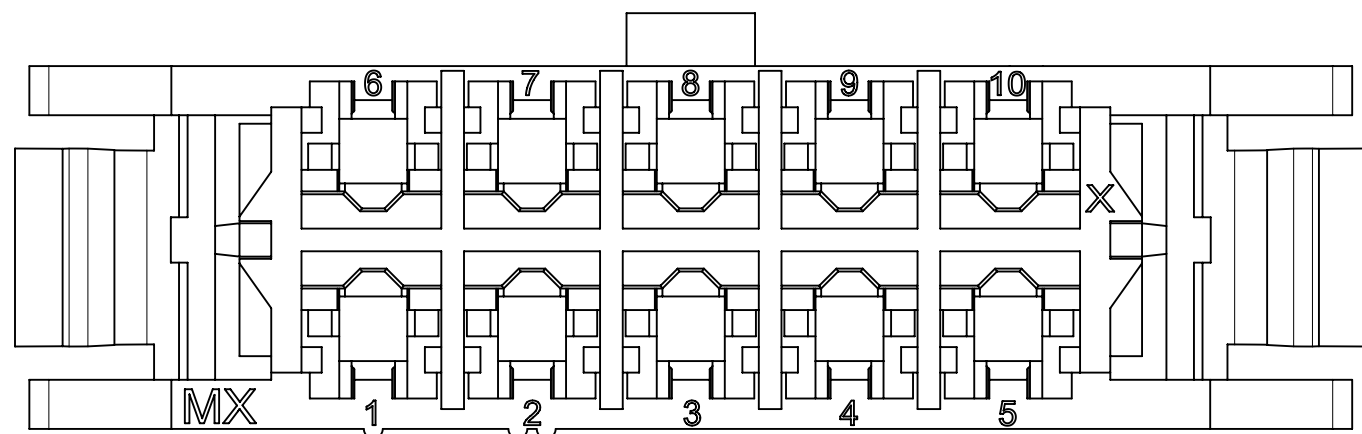
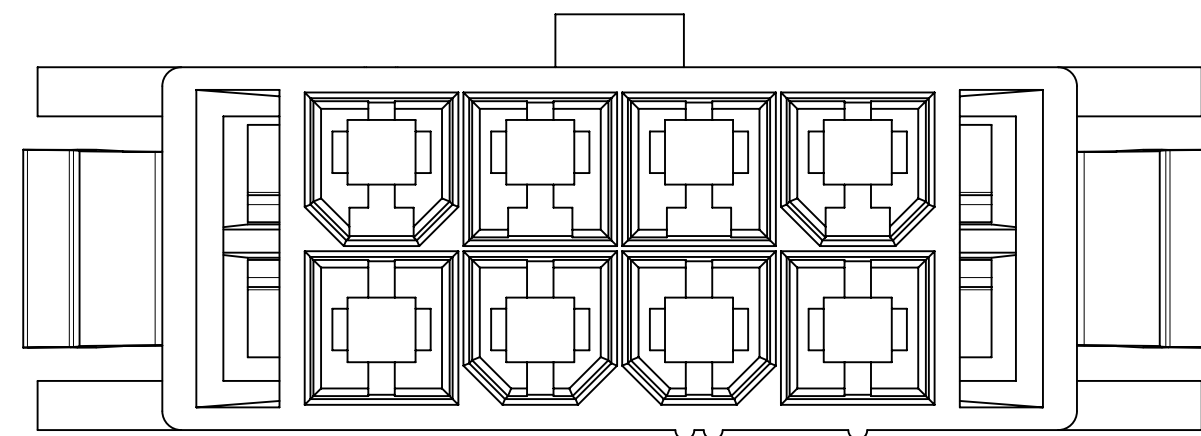
PART NUMBER	CKTS	DIM C	DIM D	MATERIAL
1727670008	8	24.20	24.70	A
1727670108				B
1727670010	10	28.40	28.90	A
1727670110				B
1727670016	16	41.00	41.50	A
1727670116				B

## POLARIZATION DETAIL

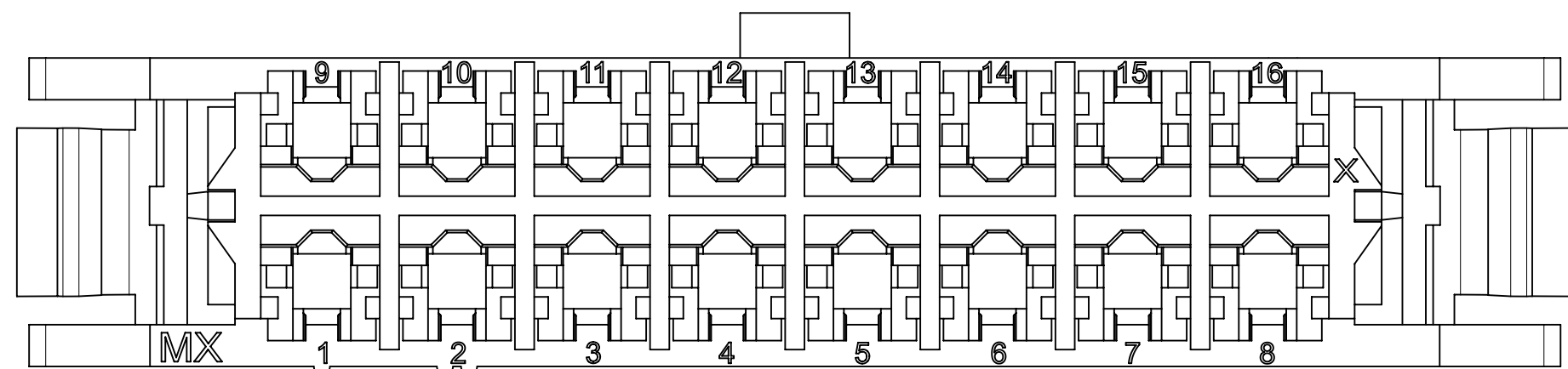
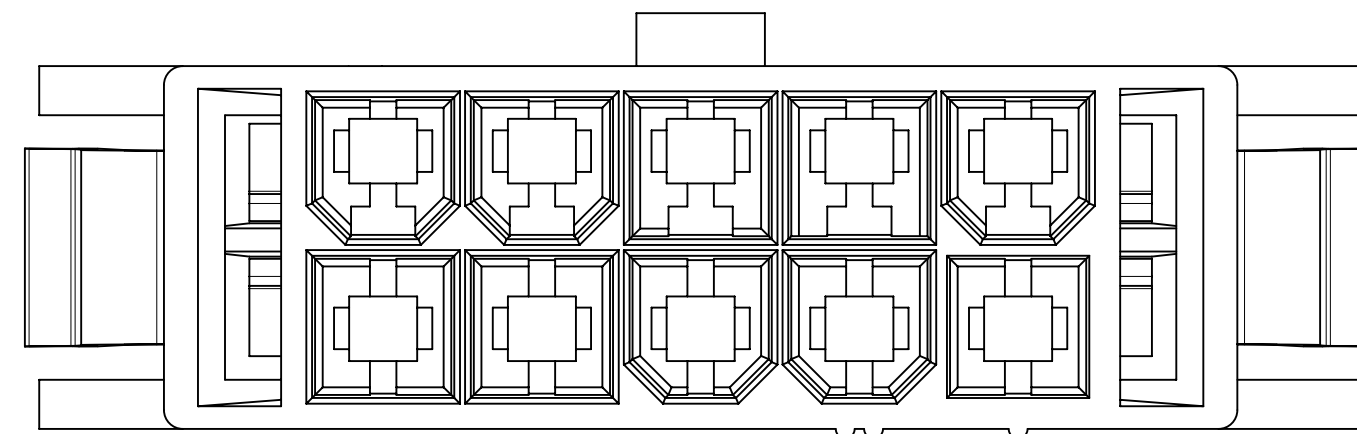
SHOWN WITHOUT TPA OR TERMINAL FOR CLARITY



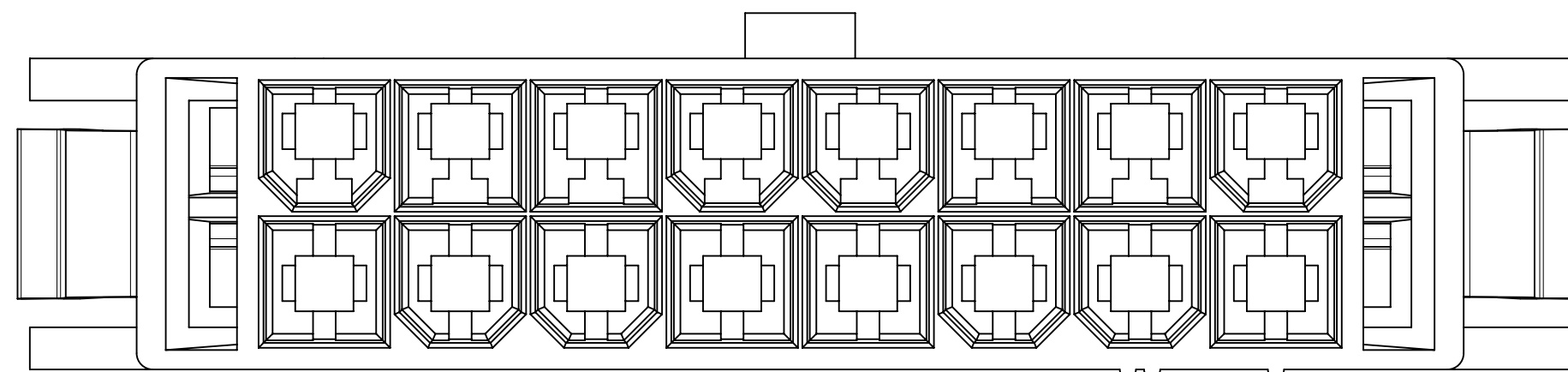
8 CKT



10 CKT



16 CKT



THIS DRAWING CONTAINS INFORMATION THAT IS PROPRIETARY TO MOLEX ELECTRONIC TECHNOLOGIES, LLC AND SHOULD NOT BE USED WITHOUT WRITTEN PERMISSION

DIMENSION UNITS		SCALE		CURRENT REV DESC: TOL. UPDT PER EGD									
mm		5:1											
GENERAL TOLERANCES (UNLESS SPECIFIED)				EC NO: 628539				HOUSING, DUAL ROW PLUG PANEL MOUNT MINI-FIT TPA2					
		MM	INCH	DRWN: GJEEVANSURES 2019/11/27		2015/02/16							
4 PLACES		±	±	CHK'D: GJEEVANSURES 2020/03/26		2015/02/26		PRODUCT CUSTOMER DRAWING					
3 PLACES		±	±	APPR: NCSR 2020/03/27		2015/02/26							
2 PLACES		± 0.13	±	INITIAL REVISION:				DOCUMENT NUMBER					
1 PLACE		± 0.2	±	DRWN: TGREGORI				SD-172767-0000					
0 PLACES		±	±	APPR: RHODGE				DOC TYPE   DOC PART   REVISION					
ANGULAR TOL		±	°	THIRD ANGLE PROJECTION				PSD   000   E4					
DRAFT WHERE APPLICABLE MUST REMAIN WITHIN DIMENSIONS				DRAWING		SERIES		MATERIAL NUMBER		CUSTOMER		SHEET NUMBER	
				C-SIZE		172767		SEE TABLE		GENERAL MARKET		6 OF 6	

DOCUMENT STATUS	P1	RELEASE DATE	2020/03/27	05:21:35
12	11	10	9	8