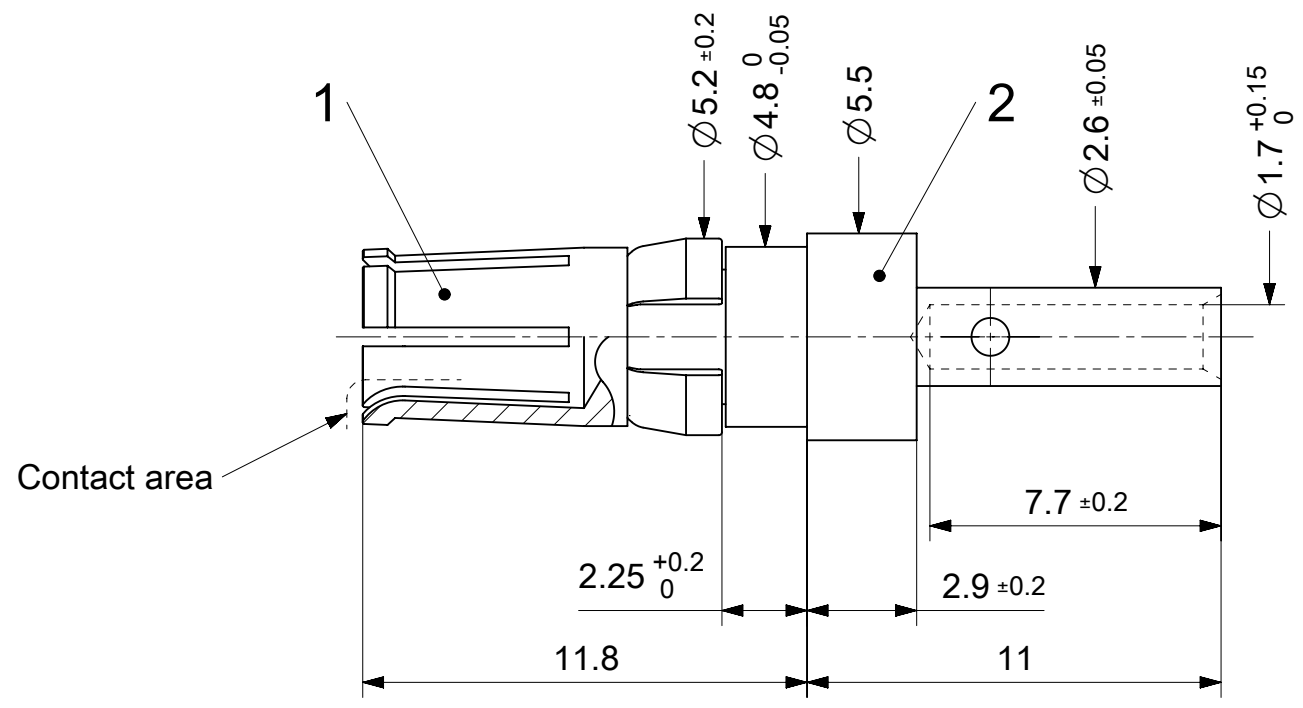


2:1



RoHS compliant
by exemption

Crimping tools see document 2195600660

1727040150	FMP002S103	103
1731120029	FMP002S106	106
1731120033	FMP002S204	204
Material Number	FCT Part Number	Material + Finish See extra sheet

UNLESS OTHERWISE SPECIFIED DIMENSIONS FOR REFERENCE ONLY				REPLACEMENT FOR DOCUMENT NUMBER: FMP002S			
THIS DRAWING CONTAINS INFORMATION THAT IS PROPRIETARY TO MOLEX ELECTRONIC TECHNOLOGIES, LLC AND SHOULD NOT BE USED WITHOUT WRITTEN PERMISSION							
FUNCTIONAL SYMBOLS	DIMENSION UNITS	SCALE	CURRENT REV DESC: A24297				
$\frac{F}{A} = 0$	mm	5:1	molex FCT 10A HIGH POWER CONTACT FOR D-SUB PRODUCT CUSTOMER DRAWING				
$\frac{E}{E} = 0$	GENERAL TOLERANCES (UNLESS SPECIFIED)						
$\frac{F}{P} = 0$	ANGULAR TOL ± °						
DIVISIONAL SYMBOLS	4 PLACES	±					
	3 PLACES	±					
	2 PLACES	±	EC NO: 686737		2021/03/30		
	1 PLACE	±	DRWN: VLOKESHA		2021/11/29		
	0 PLACES	±	CHK'D: MTEUBEL		2021/11/29		
DRAFT WHERE APPLICABLE MUST REMAIN WITHIN DIMENSIONS			FIRST ANGLE PROJECTION	DRAWING	SERIES	MATERIAL NUMBER	CUSTOMER
				A4-SIZE	172704	1727040150	GENERAL MARKET
				DOCUMENT NUMBER	DOC TYPE	DOC PART	REVISION
						PSD	000 A
				SHEET NUMBER		1 OF 1	

DOCUMENT STATUS	P1	RELEASE DATE	2021/11/29	13:31:29
-----------------	----	--------------	------------	----------