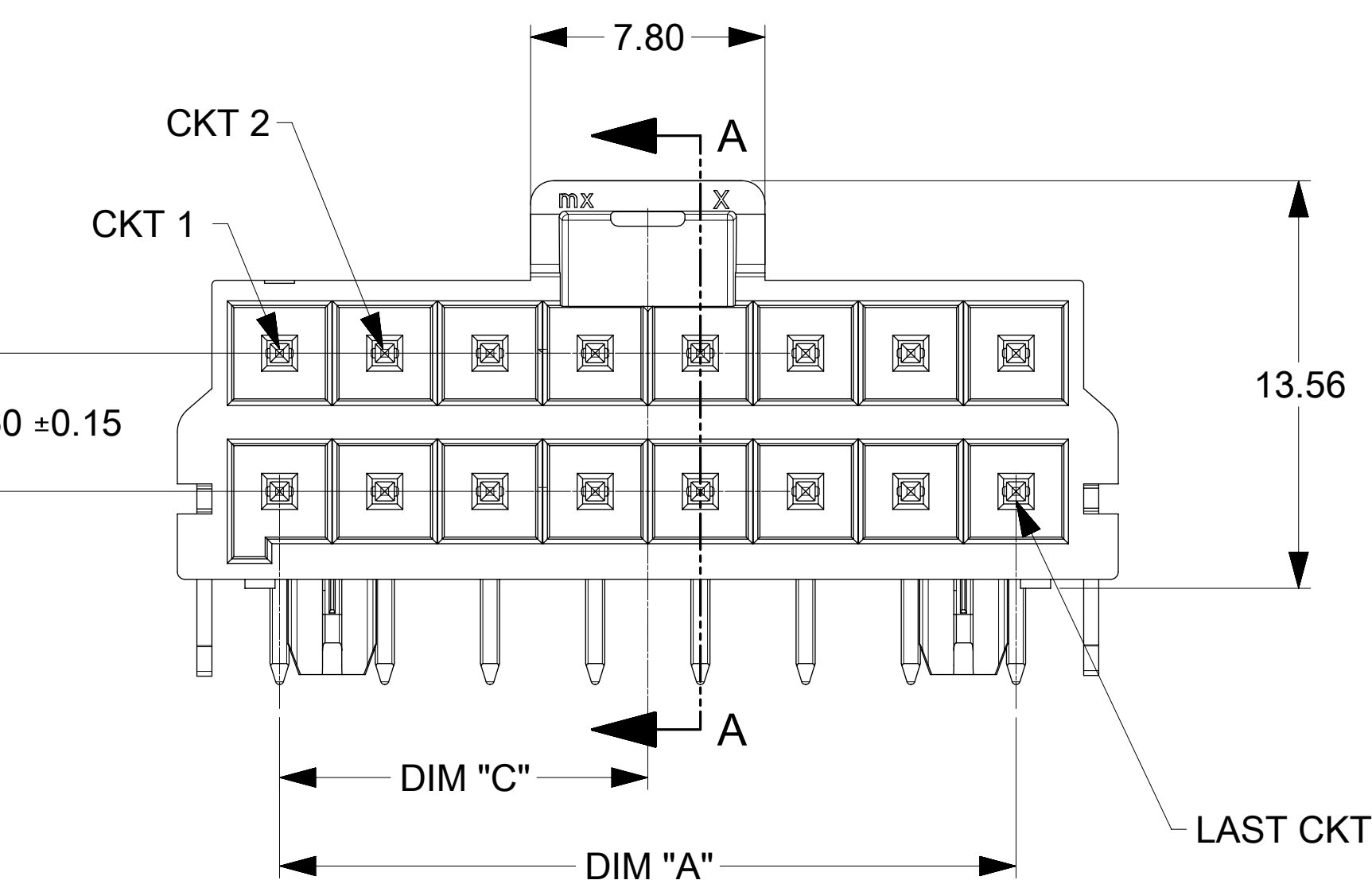
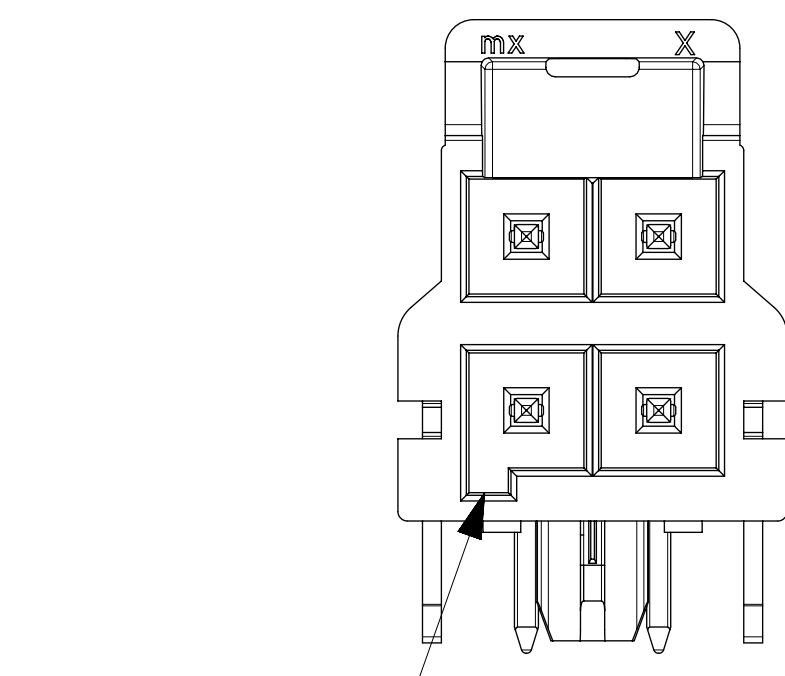


OPTION 1: LATCH FLUSH WITH PCB EDGE
 OPTION 2: HOUSING BODY FLUSH WITH PCB EDGE

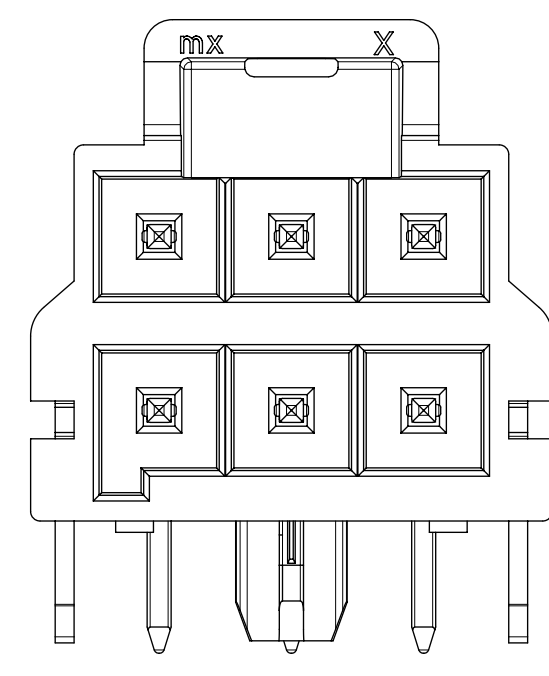


- NOTES:
- MATERIAL :
 HOUSING:
 OPTION 1: LCP BLACK, UL94V-0
 OPTION 2: LCP NATURAL, UL94V-0
 TERMINAL: COPPER ALLOY
 - PLATING FINISH:
 OPTION 1 - 1.5µm(60µin)-2.5µm(100µin) REFLOW MATTE TIN OVER
 1.25µm(50µin)-2.5µm(100µin) NICKEL OVERALL
 OPTION 2 - 0.35µm(15µin) GOLD CONTACT AREA,
 1.5µm(60µin)-2.5µm(100µin) MATTE TIN OVER
 1.25µm(50µin)-2.5µm(100µin) NICKEL OVERALL
 OPTION 3 - 0.70µm(30µin) GOLD CONTACT AREA,
 1.5µm(60µin)-2.5µm(100µin) MATTE TIN OVER
 1.25µm(50µin)-2.5µm(100µin) NICKEL OVERALL
 - PARTS TO BE PACKAGED PER 172316-1114-PK
 - PRODUCT SPECIFICATION PS-172323-0001
 - PART MATES WITH MOLEX RECEPTACLE HOUSING 172258 AND 172262
 - PART CONFORMS TO CLASS "C" REQUIREMENTS OF MOLEX COSMETIC SPECIFICATION.
 PS-45499-002 WITH 0.13 MM MAXIMUM FLASH ALLOWED IN CORE HOLES AND FRONT SURFACE.
 - LASER MARK CODE IN A FORMAT DDD
 - PARTS ARE NOT DESIGNED FOR CURRENT SHARING.

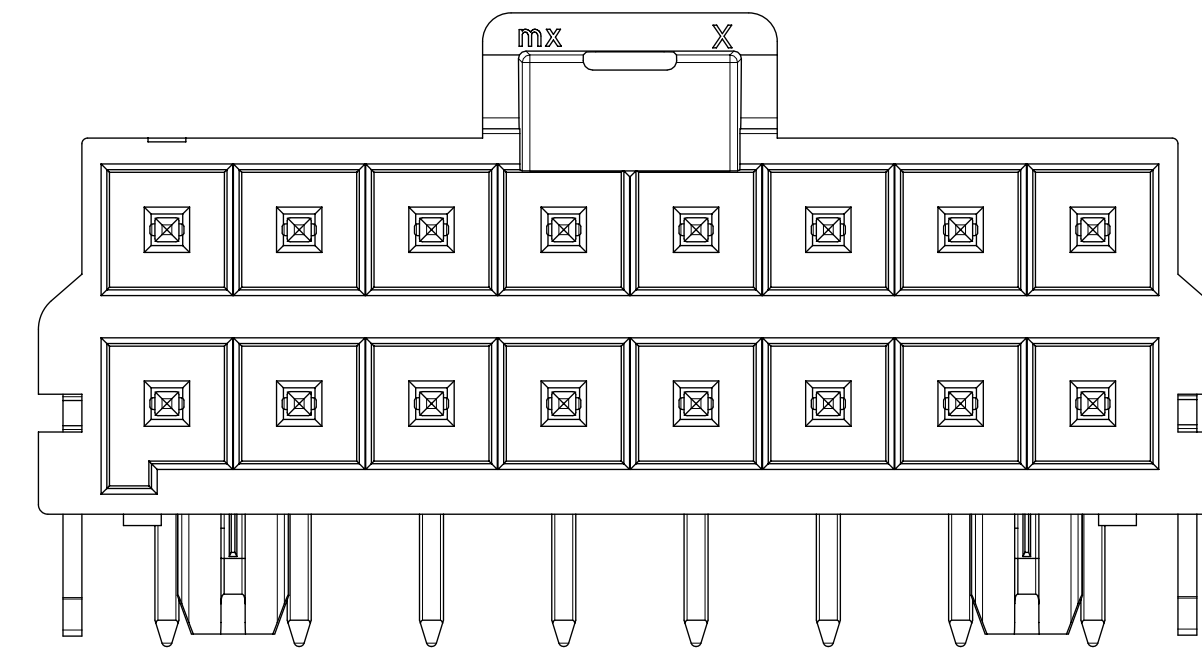
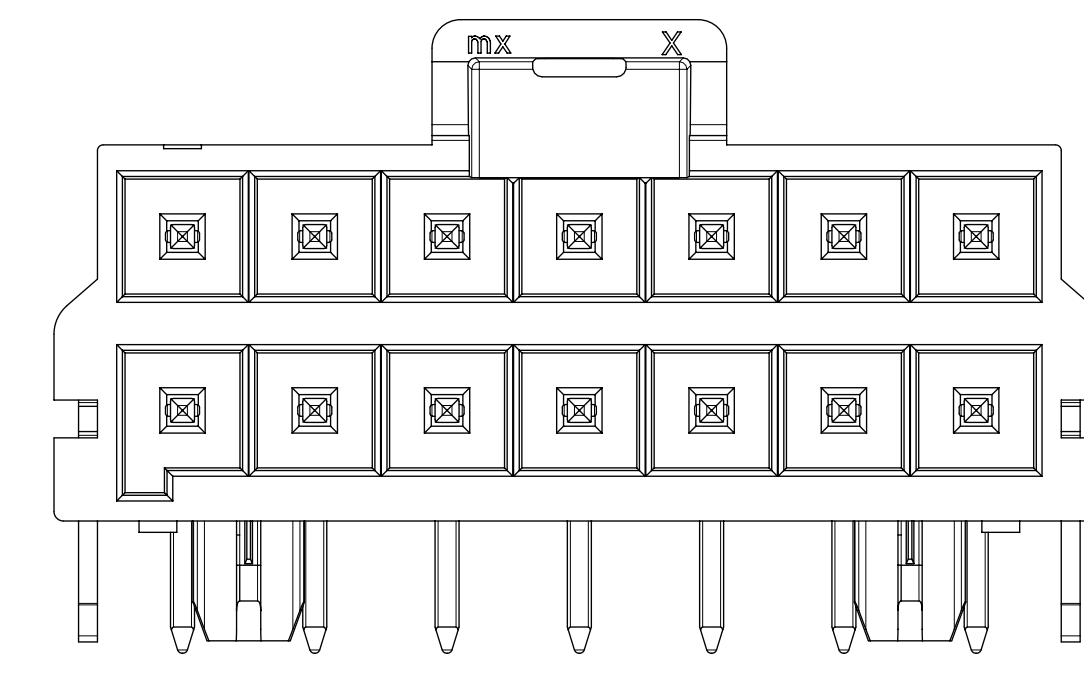
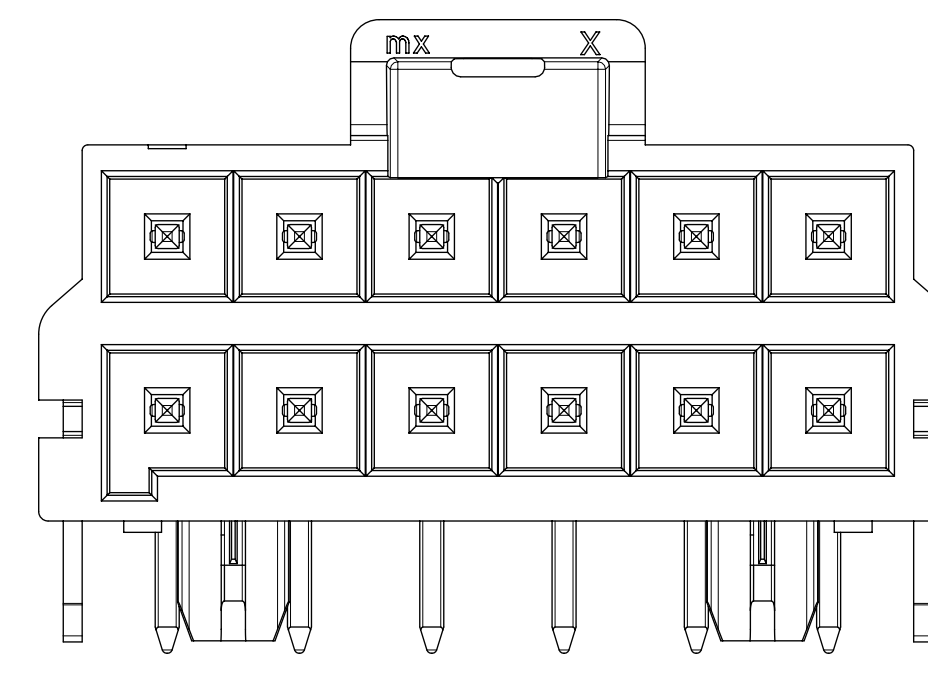
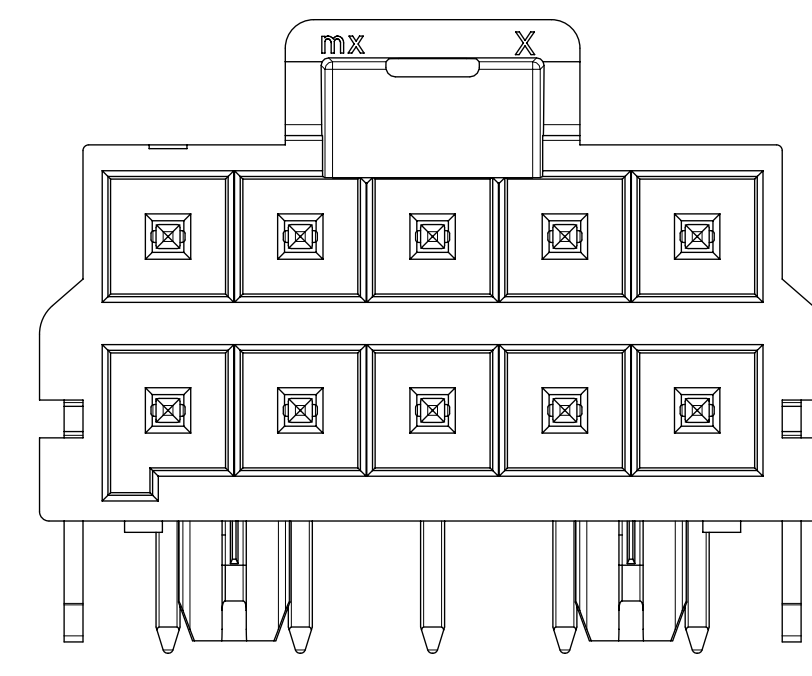
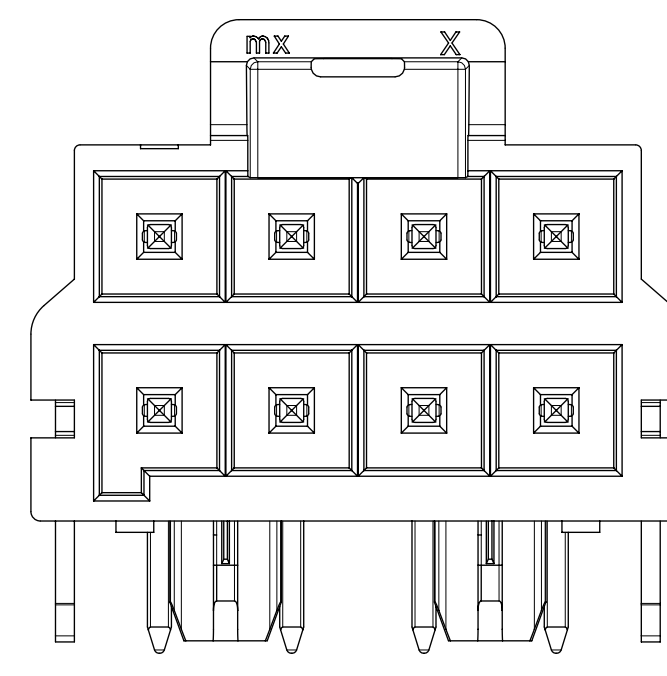
SYMBOLS	THIS DRAWING CONTAINS INFORMATION THAT IS PROPRIETARY TO MOLEX ELECTRONIC TECHNOLOGIES, LLC AND SHOULD NOT BE USED WITHOUT WRITTEN PERMISSION		CURRENT REV DESC:	
	DIMENSION UNITS	SCALE		
▽ = 0	mm	5:1		
▽ = 0	GENERAL TOLERANCES (UNLESS SPECIFIED)			
▽ = 0	ANGULAR TOL	± °		
▽ = 0	4 PLACES	±		
▽ = 0	3 PLACES	±		
▽ = 0	2 PLACES	± 0.13		
▽ = 0	1 PLACE	± 0.25		
■ = 0	0 PLACES	±		
▽ = 0	DRAFT WHERE APPLICABLE MUST REMAIN WITHIN DIMENSIONS			
THIRD ANGLE PROJECTION		DRAWING SERIES		
D-SIZE		172316		
EC NO: 762168		2023/09/06		molex
DRWN: LEOW		2024/02/20		
CHK'D: XQZHANG		2024/02/20		ULTRA-FIT DR R/A HEAD SN ASSY
APPR: XQZHANG		2024/02/20		
INITIAL REVISION:				PRODUCT CUSTOMER DRAWING
DRWN: PPEREZ03		2016/02/22		
APPR: RHODGE		2016/06/21		DOCUMENT NUMBER
				1723162000
				DOC TYPE
				PSD
				DOC PART
				000
				REVISION
				E
				MATERIAL NUMBER
				CUSTOMER
				SHEET NUMBER
				1 OF 3



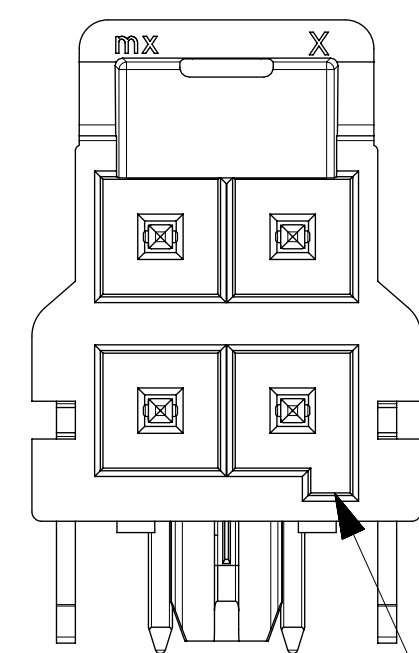
KEY A (BLACK) 4CKT



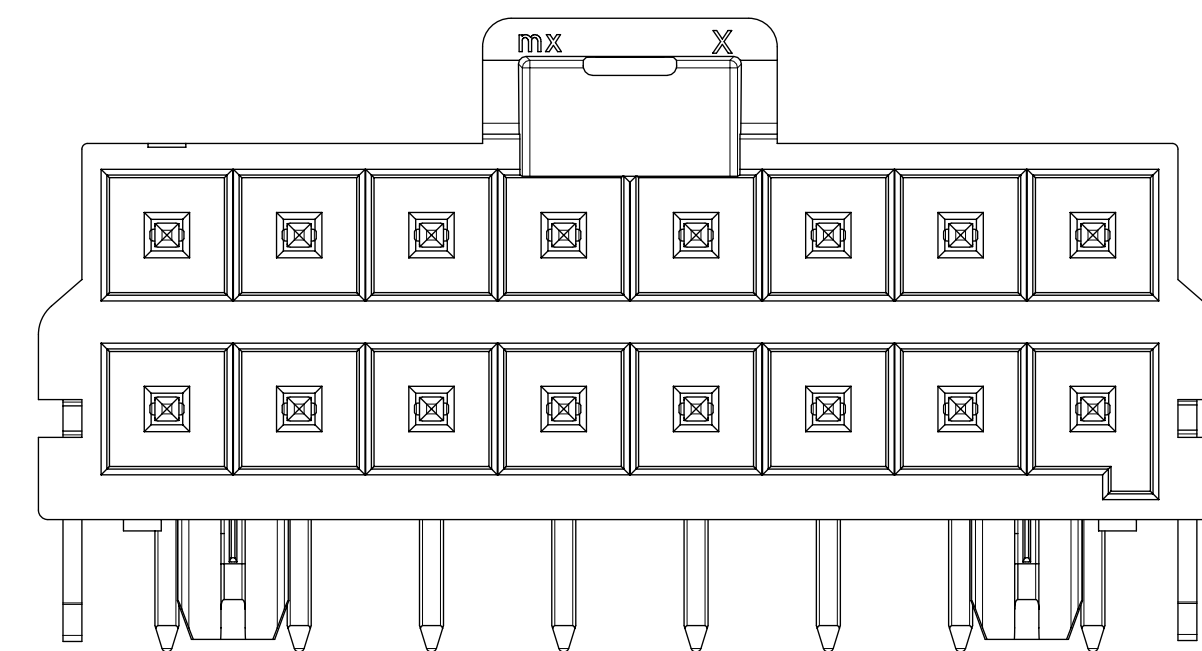
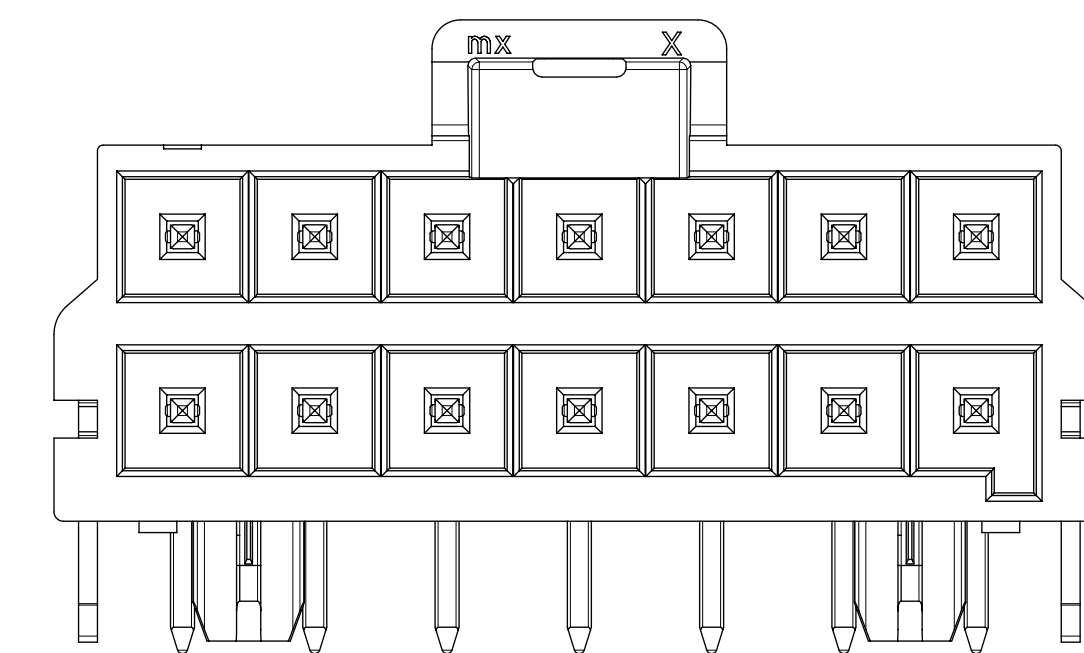
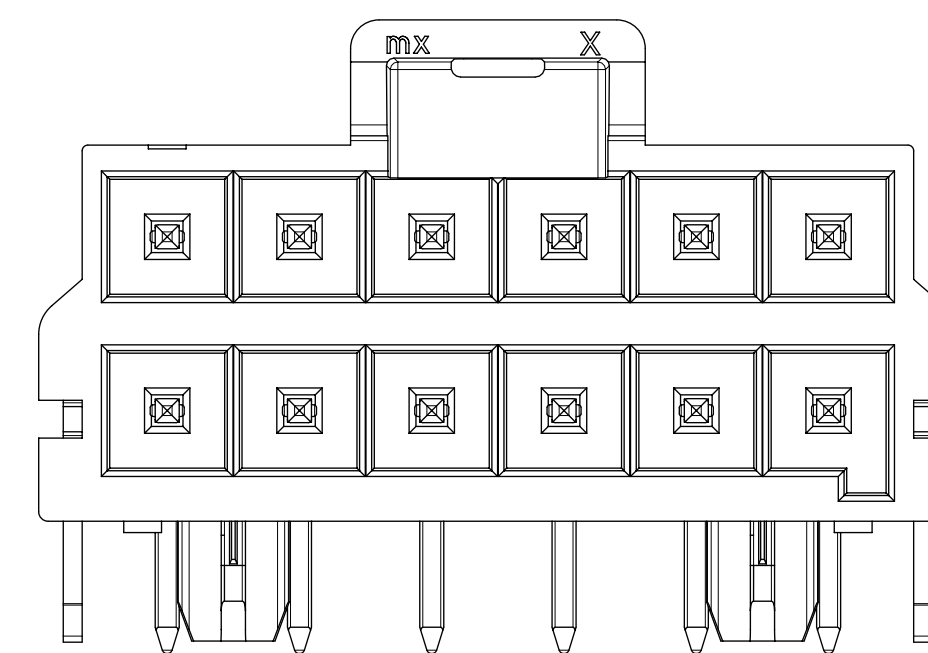
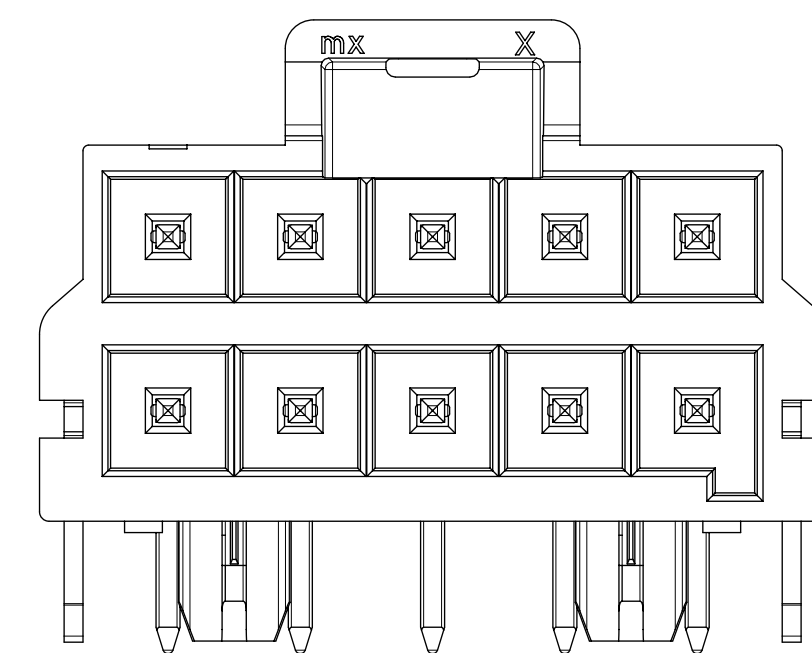
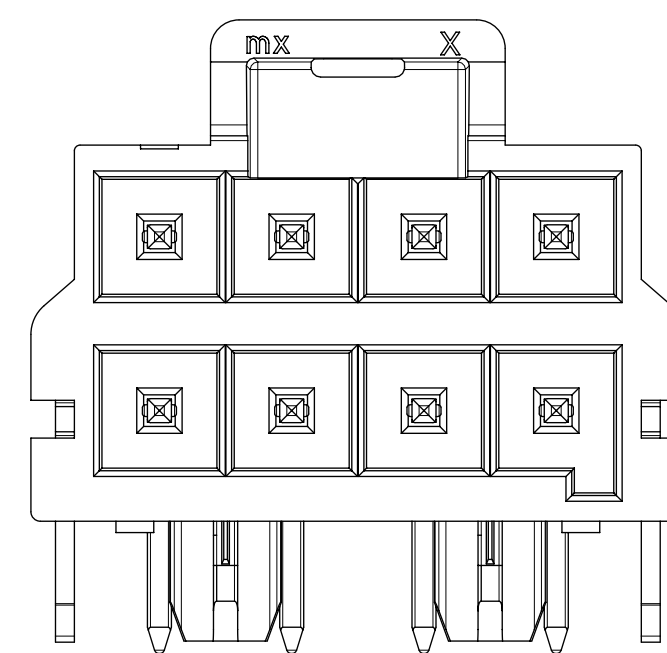
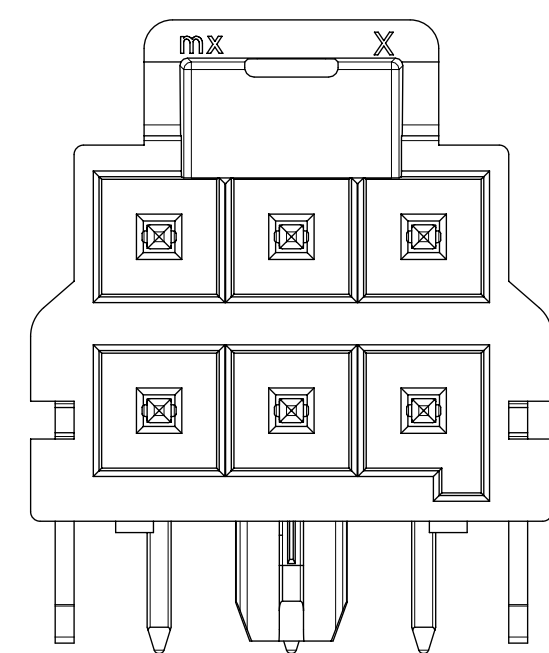
6CKT



BLACK



KEY B (BLACK)



NATURAL

COLOR-POLARIZATION

SYMBOLS	THIS DRAWING CONTAINS INFORMATION THAT IS PROPRIETARY TO MOLEX ELECTRONIC TECHNOLOGIES, LLC AND SHOULD NOT BE USED WITHOUT WRITTEN PERMISSION		CURRENT REV DESC:		
	DIMENSION UNITS	SCALE			
▽ = 0	mm	5:1			ULTRA-FIT DR R/A HEAD SN ASSY
▽ = 0	GENERAL TOLERANCES (UNLESS SPECIFIED)				PRODUCT CUSTOMER DRAWING
▽ = 0	ANGULAR TOL	± °			DOCUMENT NUMBER
▽ = 0	4 PLACES	±			1723162000
▽ = 0	3 PLACES	±			DOC TYPE
▽ = 0	2 PLACES	± 0.13			PSD
▽ = 0	1 PLACE	± 0.25			000
▽ = 0	0 PLACES	±			E
■ = 0	DRAFT WHERE APPLICABLE MUST REMAIN WITHIN DIMENSIONS		THIRD ANGLE PROJECTION	DRAWING	SERIES
▽ = 0				D-SIZE	172316
			MATERIAL NUMBER	CUSTOMER	SHEET NUMBER
					3 OF 3