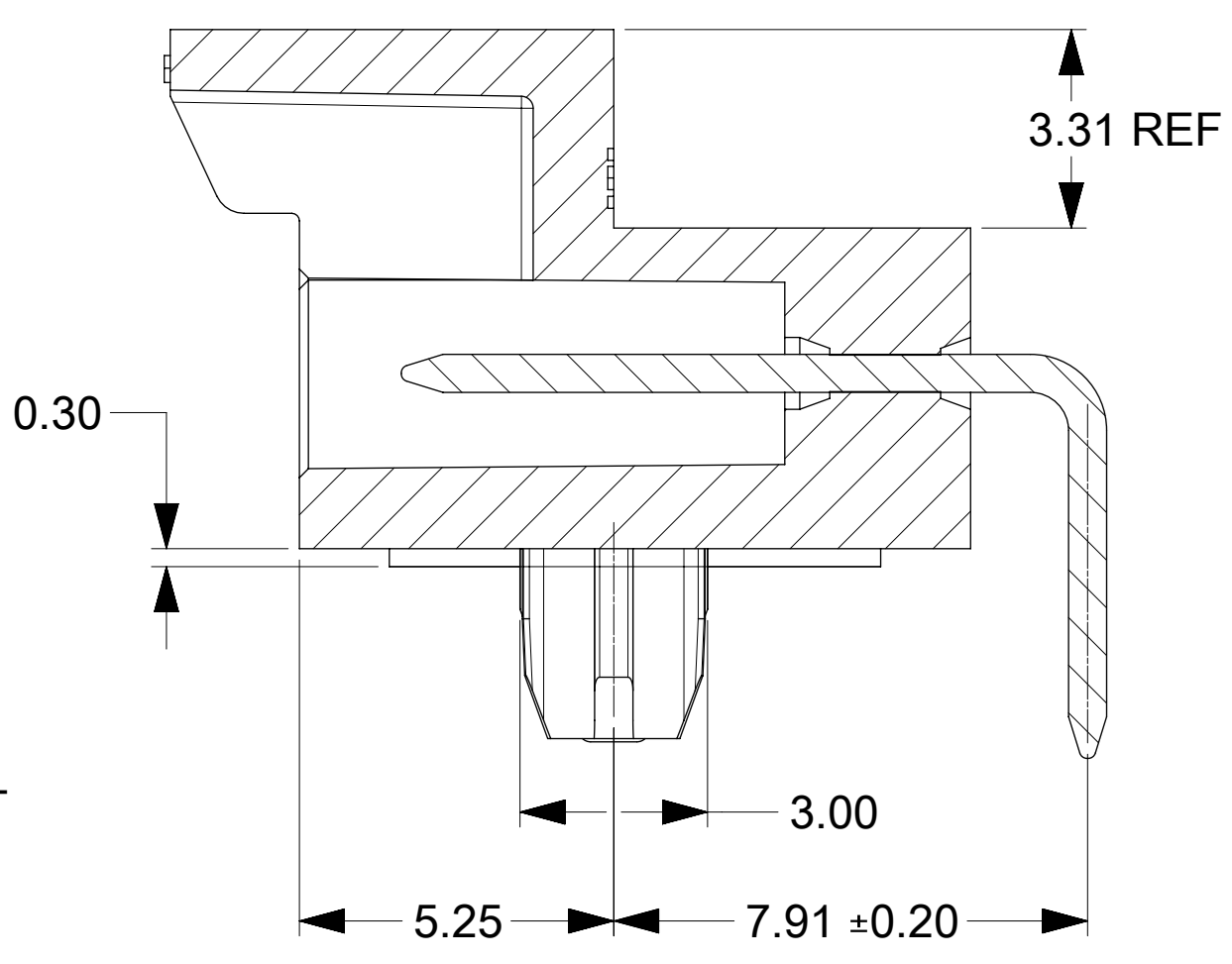
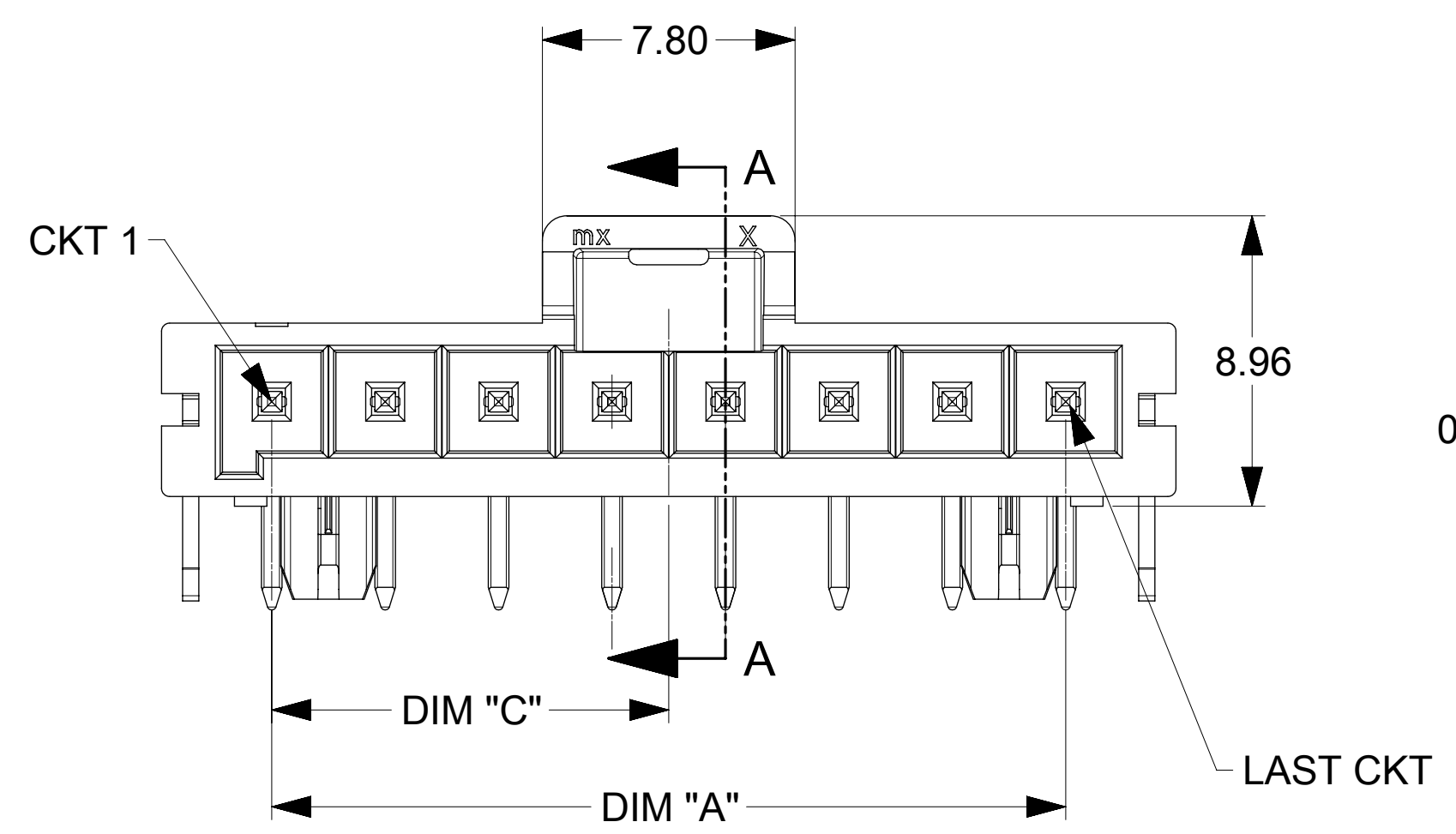
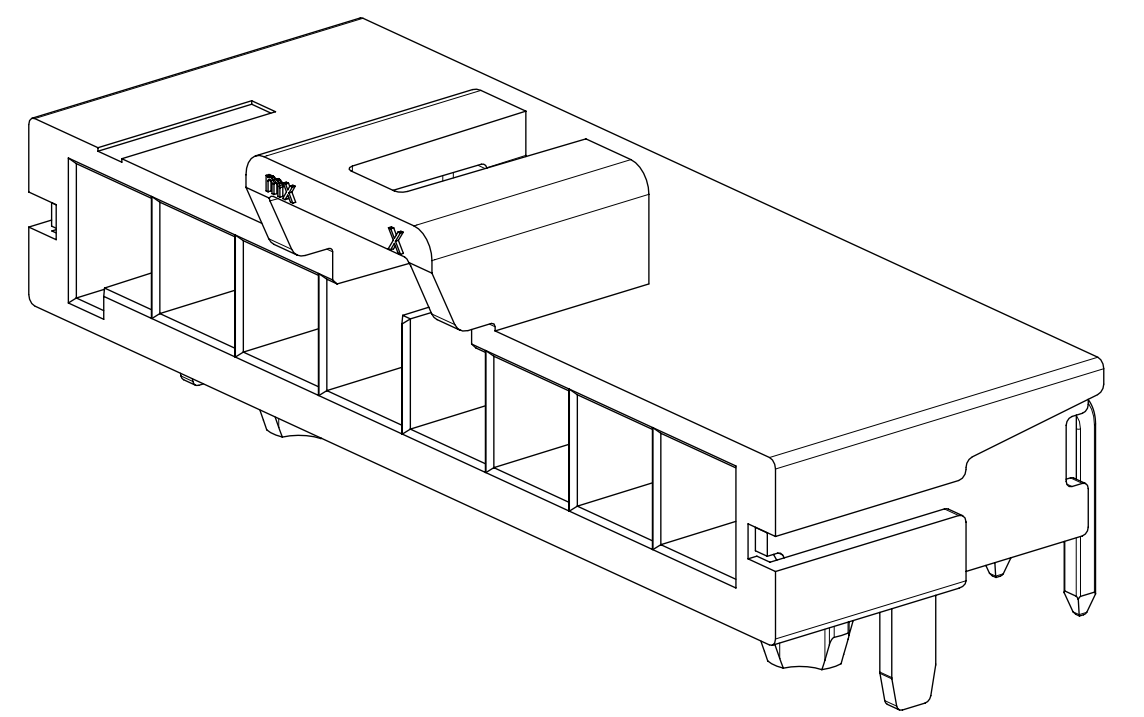
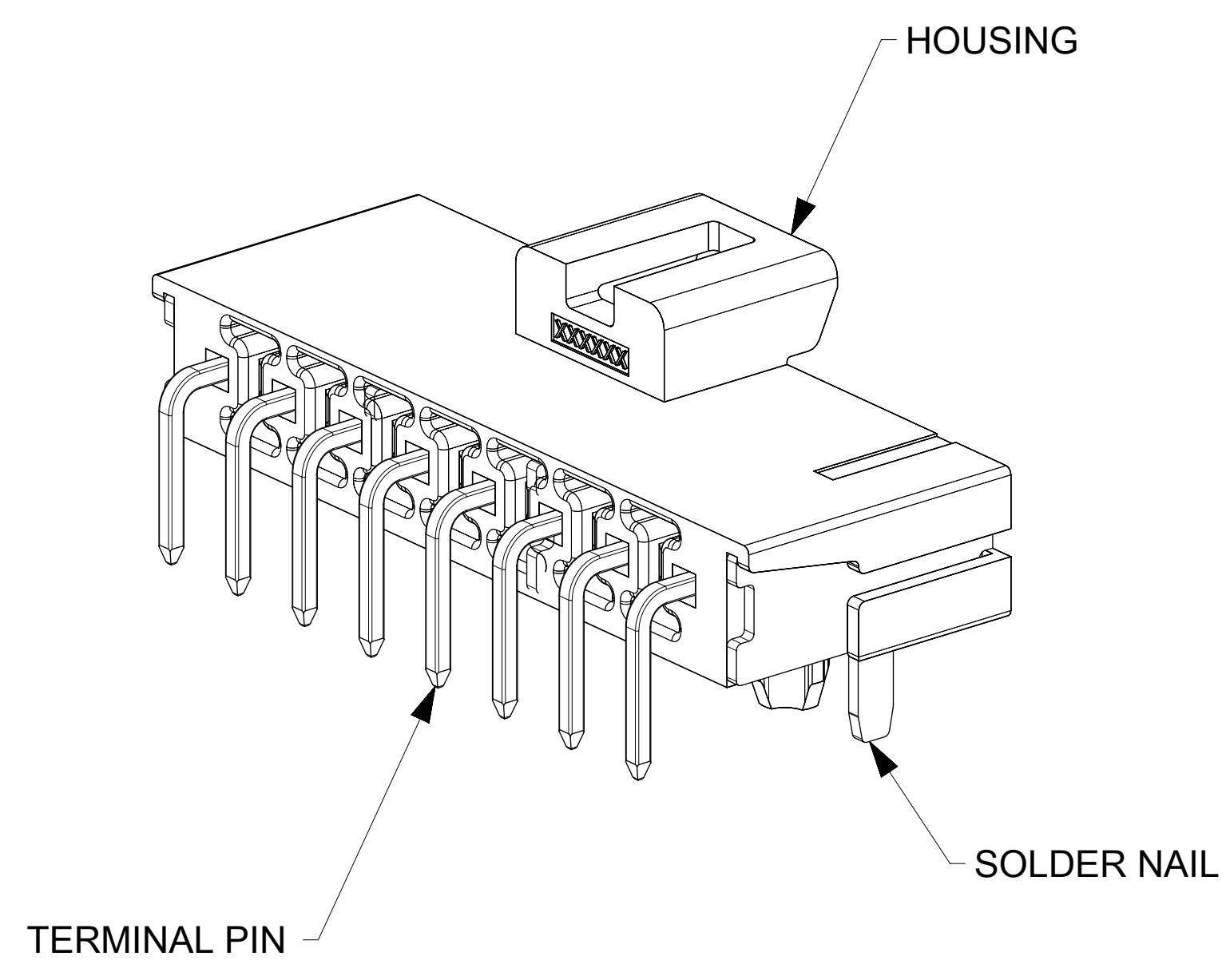
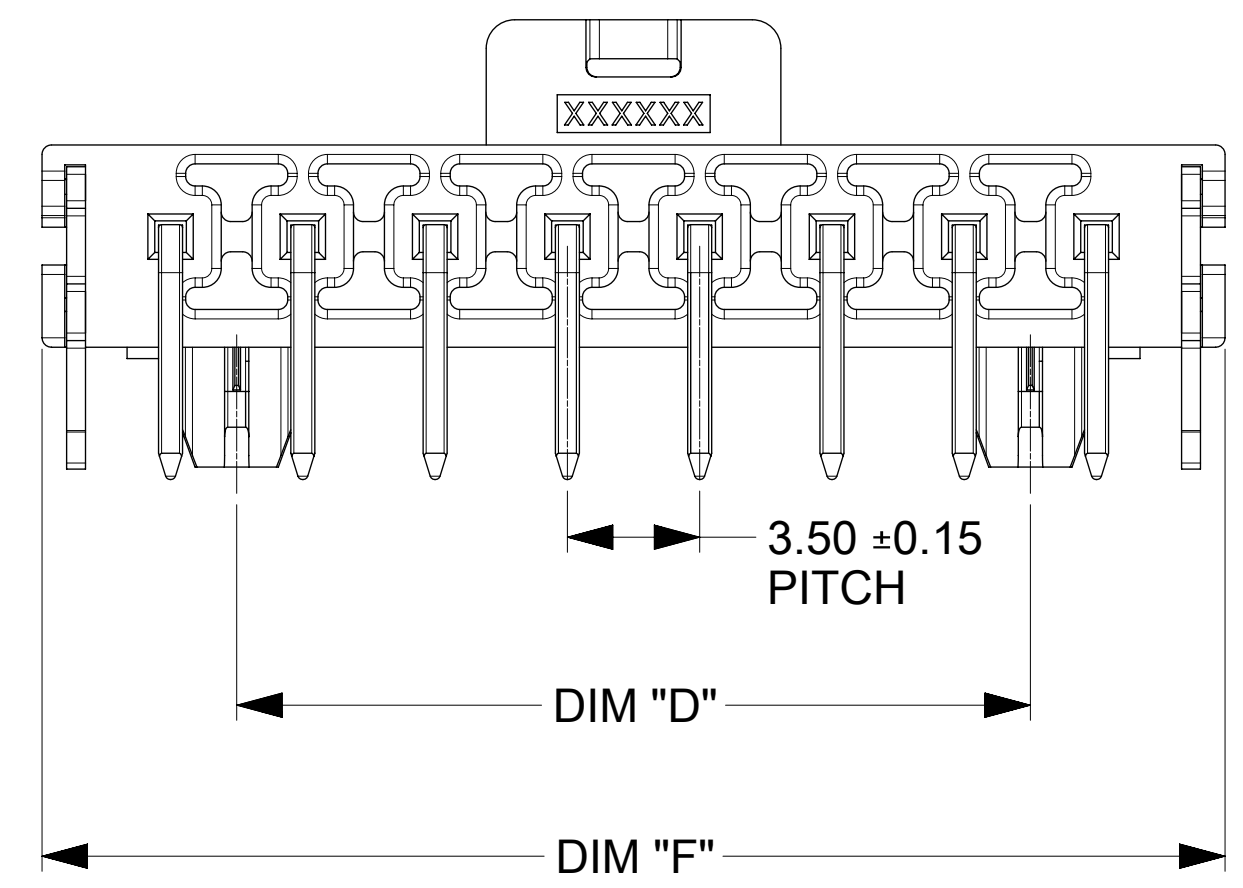


DATE CODE LOCATION
SEE NOTE 6

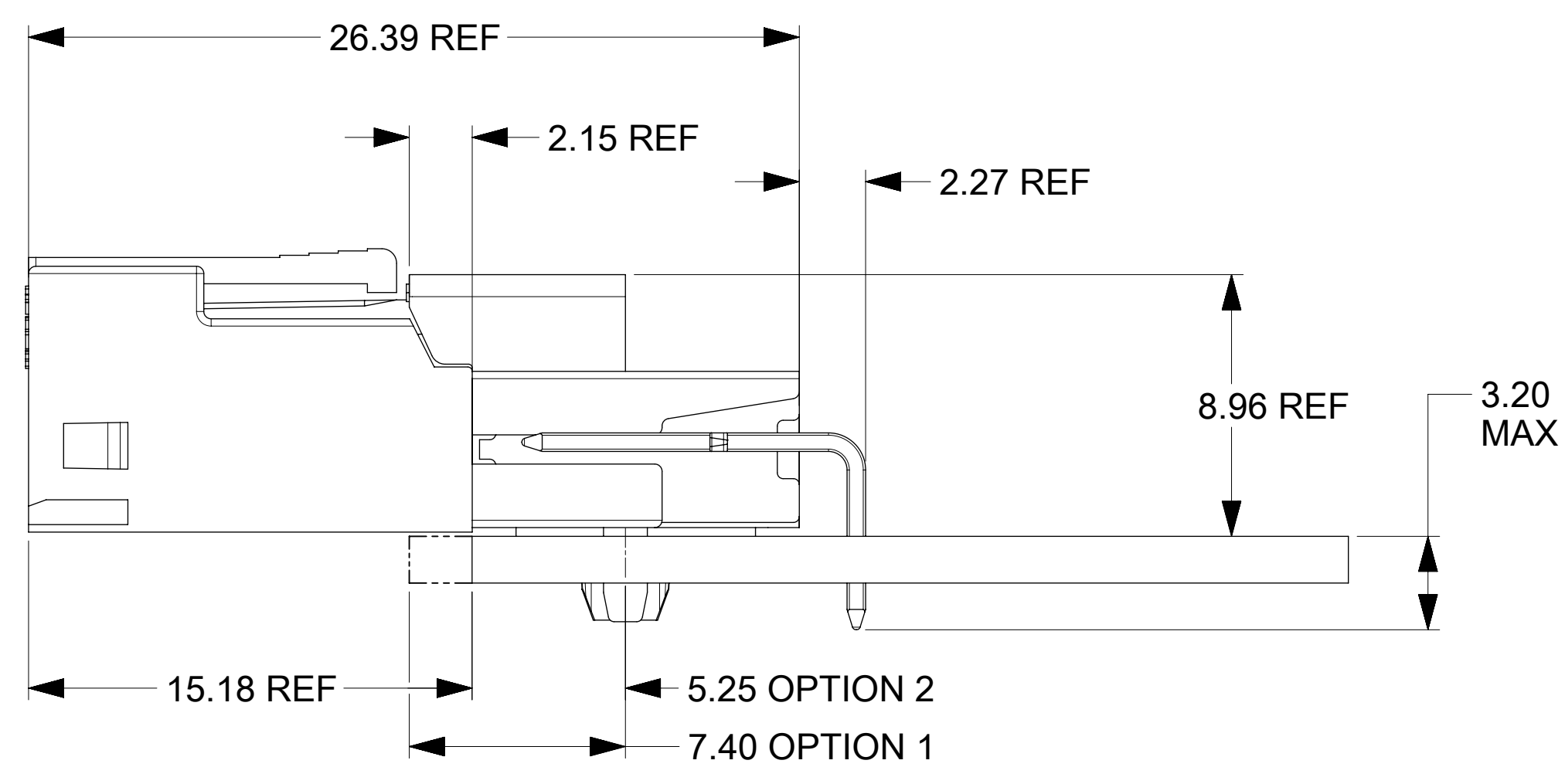


SECTION A-A
SCALE 8:1



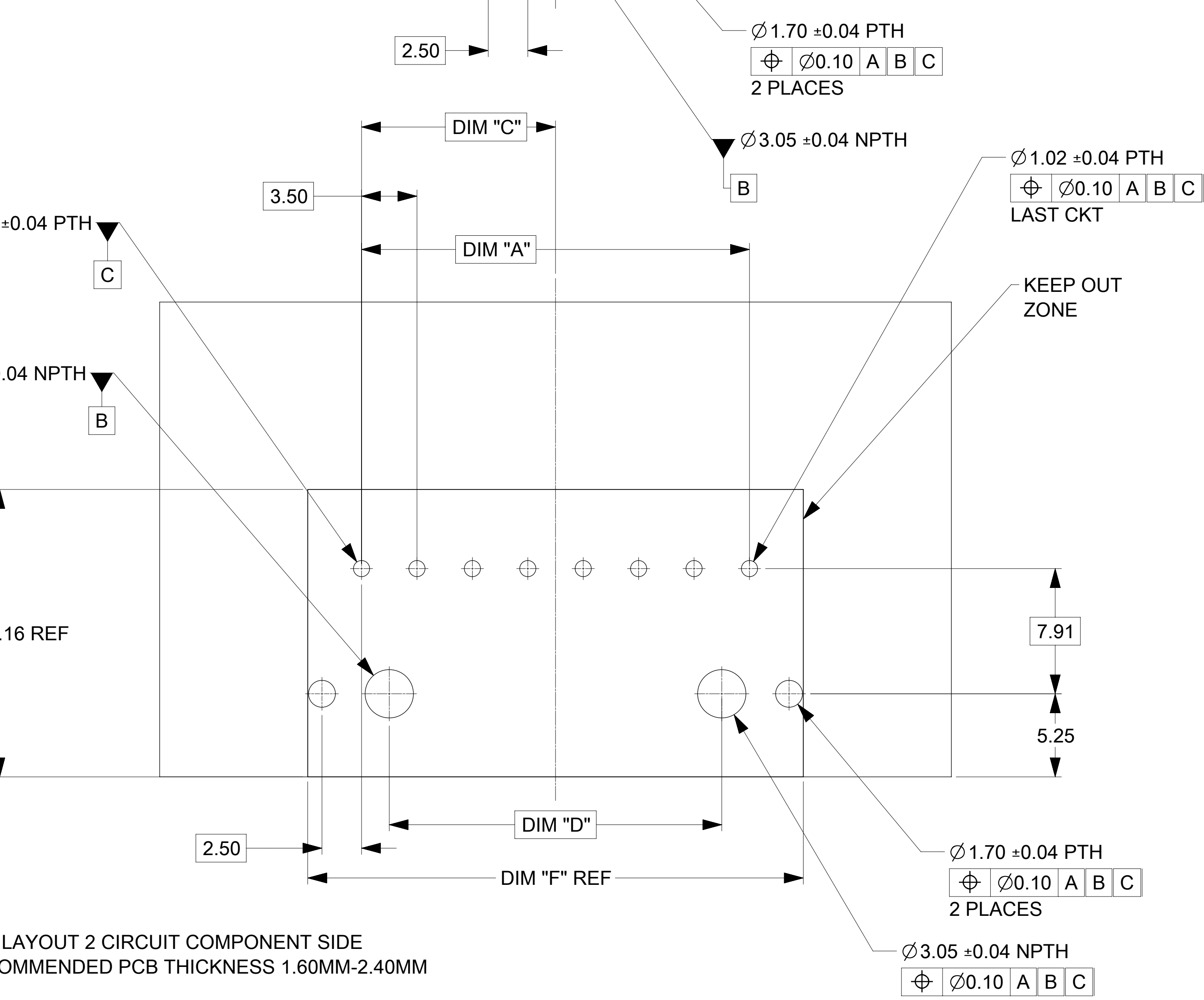
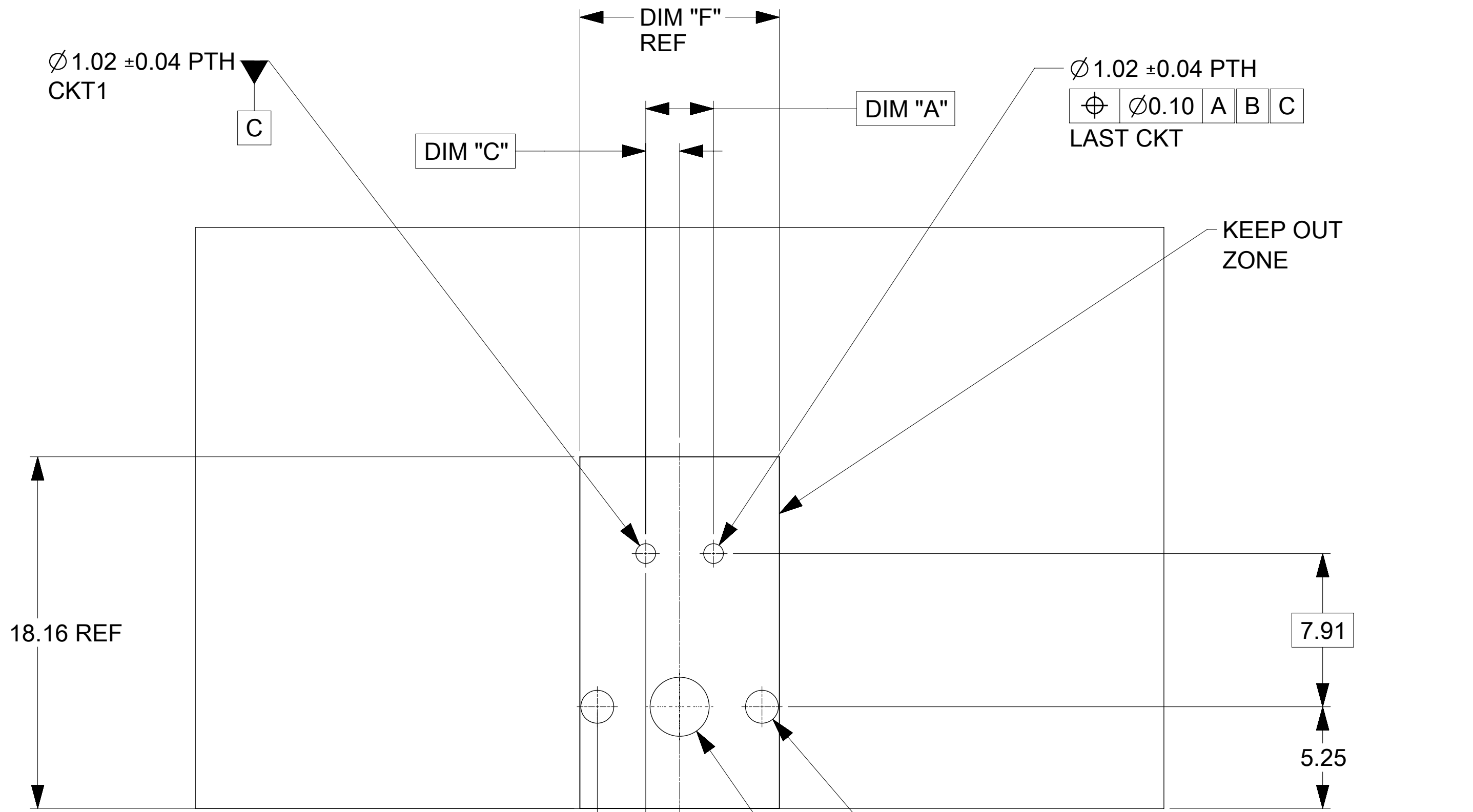
NOTES:

- MATERIAL :
HOUSING:
OPTION 1: LCP BLACK, UL94V-0
OPTION 2: LCP NATURAL, UL94V-0
TERMINAL: COPPER ALLOY
- PLATING FINISH:
OPTION 1 - 1.5µm(60µin)-2.5µm(100µin) REFLOW MATTE TIN OVER
1.25µm(50µin)-2.5µm(100µin) NICKEL OVERALL
OPTION 2 - 0.35µm(15µin) GOLD CONTACT AREA,
1.5µm(60µin)-2.5µm(100µin) MATTE TIN OVER
1.25µm(50µin)-2.5µm(100µin) NICKEL OVERALL
OPTION 3 - 0.70µm(30µin) GOLD CONTACT AREA,
1.5µm(60µin)-2.5µm(100µin) MATTE TIN OVER
1.25µm(50µin)-2.5µm(100µin) NICKEL OVERALL
- PARTS TO BE PACKAGED PER CHART FOR DETAIL
- PRODUCT SPECIFICATION PS-172323-0001
- PART MATES WITH MOLEX RECEPTACLE HOUSING 172256 AND 172260
- PART CONFORMS TO CLASS "C" REQUIREMENTS OF MOLEX COSMETIC SPECIFICATION.
PS-45499-002 WITH 0.13 MM MAXIMUM FLASH ALLOWED IN CORE HOLES AND FRONT SURFACE.
- LASER MARK CODE IN A FORMAT DDD
- PARTS ARE NOT DESIGNED FOR CURRENT SHARING.



OPTION 1: LATCH FLUSH WITH PCB EDGE
OPTION 2: HOUSING BODY FLUSH WITH PCB EDGE

SYMBOLS		THIS DRAWING CONTAINS INFORMATION THAT IS PROPRIETARY TO MOLEX ELECTRONIC TECHNOLOGIES, LLC AND SHOULD NOT BE USED WITHOUT WRITTEN PERMISSION		CURRENT REV DESC:		molex	
▽ = 0	mm	SCALE	5:1	EC NO: 767102			
▽ = 0	GENERAL TOLERANCES (UNLESS SPECIFIED)		DRWN: LEOW		2023/07/19	ULTRA-FIT SR R/A HEAD SN ASSY	
▽ = 0	ANGULAR TOL ± °		CHK'D: XQZHANG		2023/10/30	PRODUCT CUSTOMER DRAWING	
▽ = 0	4 PLACES	±	APPR: XQZHANG		2023/10/30	DOCUMENT NUMBER	
▽ = 0	3 PLACES	±	INITIAL REVISION:		1723102000		
▽ = 0	2 PLACES	± 0.13	DRWN: PPEREZ03		2016/02/22	DOC TYPE	DOC PART
▽ = 0	1 PLACE	± 0.25	APPR: RHODGE		2016/06/21	PSD	000
▽ = 0	0 PLACES	±	THIRD ANGLE PROJECTION		SERIES		REVISION
☒ = 0	DRAFT WHERE APPLICABLE MUST REMAIN WITHIN DIMENSIONS		D-DRAWING		172310		B2
■ = 0	MATERIAL NUMBER		CUSTOMER		SHEET NUMBER		1 OF 3



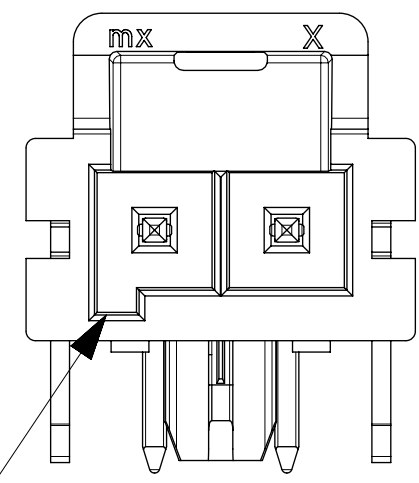
TIN PLATING									
PART NO.	COLOR	CIRCUIT SIZE	KEY OPTION	DIM A	DIM F	DIM C	DIM D	PACKING SPEC	
172310-3102	BLACK	2	KEY A	3.50	10.30	1.75	0.00	PK-172310-9001	
172310-3103	BLACK	3	KEY A	7.00	13.80	3.50	0.00		
172310-3104	BLACK	4	KEY A	10.50	17.30	5.25	7.00		
172310-3105	BLACK	5	KEY A	14.00	20.80	7.00	10.50		
172310-3106	BLACK	6	KEY A	17.50	24.30	8.75	14.00		
172310-3107	BLACK	7	KEY A	21.00	27.80	10.50	17.50		
172310-3108	BLACK	8	KEY A	24.50	31.30	12.25	21.00		
172310-4102	NATURAL	2	KEY B	3.50	10.30	1.75	0.00		
172310-4103	NATURAL	3	KEY B	7.00	13.80	3.50	0.00		
172310-4104	NATURAL	4	KEY B	10.50	17.30	5.25	7.00		
172310-4105	NATURAL	5	KEY B	14.00	20.80	7.00	10.50		
172310-4106	NATURAL	6	KEY B	17.50	24.30	8.75	14.00		
172310-4107	NATURAL	7	KEY B	21.00	27.80	10.50	17.50		
172310-4108	NATURAL	8	KEY B	24.50	31.30	12.25	21.00		
172310-8103	BLACK	3	KEY A	7.00	13.80	3.50	0.00	1723108000-PK	
172310-9103	NATURAL	3	KEY B	7.00	13.80	3.50	0.00		

15 MICROINCH GOLD PLATING									
PART NO.	COLOR	CIRCUIT SIZE	KEY OPTION	DIM A	DIM F	DIM C	DIM D	PACKING SPEC	
172310-3202	BLACK	2	KEY A	3.50	10.30	1.75	0.00	PK-172310-9001	
172310-3203	BLACK	3	KEY A	7.00	13.80	3.50	0.00		
172310-3204	BLACK	4	KEY A	10.50	17.30	5.25	7.00		
172310-3205	BLACK	5	KEY A	14.00	20.80	7.00	10.50		
172310-3206	BLACK	6	KEY A	17.50	24.30	8.75	14.00		
172310-3207	BLACK	7	KEY A	21.00	27.80	10.50	17.50		
172310-3208	BLACK	8	KEY A	24.50	31.30	12.25	21.00		
172310-4202	NATURAL	2	KEY B	3.50	10.30	1.75	0.00		
172310-4203	NATURAL	3	KEY B	7.00	13.80	3.50	0.00		
172310-4204	NATURAL	4	KEY B	10.50	17.30	5.25	7.00		
172310-4205	NATURAL	5	KEY B	14.00	20.80	7.00	10.50		
172310-4206	NATURAL	6	KEY B	17.50	24.30	8.75	14.00		
172310-4207	NATURAL	7	KEY B	21.00	27.80	10.50	17.50		
172310-4208	NATURAL	8	KEY B	24.50	31.30	12.25	21.00		
172310-8203	BLACK	3	KEY A	7.00	13.80	3.50	0.00	1723108000-PK	
172310-9203	NATURAL	3	KEY B	7.00	13.80	3.50	0.00		

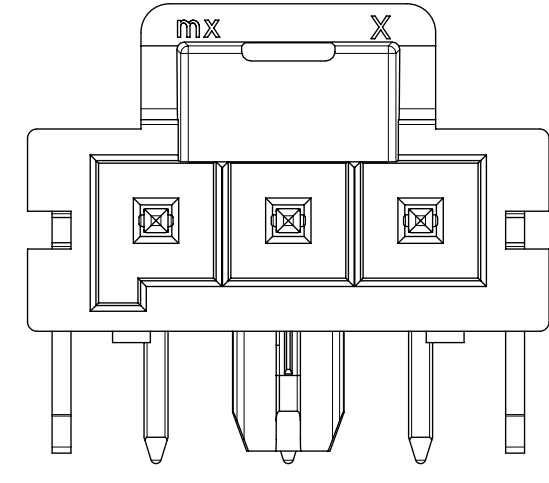
30 MICROINCH PLATING									
PART NO.	COLOR	CIRCUIT SIZE	KEY OPTION	DIM A	DIM F	DIM C	DIM D	PACKING SPEC	
172310-3302	BLACK	2	KEY A	3.50	10.30	1.75	0.00	PK-172310-9001	
172310-3303	BLACK	3	KEY A	7.00	13.80	3.50	0.00		
172310-3304	BLACK	4	KEY A	10.50	17.30	5.25	7.00		
172310-3305	BLACK	5	KEY A	14.00	20.80	7.00	10.50		
172310-3306	BLACK	6	KEY A	17.50	24.30	8.75	14.00		
172310-3307	BLACK	7	KEY A	21.00	27.80	10.50	17.50		
172310-3308	BLACK	8	KEY A	24.50	31.30	12.25	21.00		
172310-4302	NATURAL	2	KEY B	3.50	10.30	1.75	0.00		
172310-4303	NATURAL	3	KEY B	7.00	13.80	3.50	0.00		
172310-4304	NATURAL	4	KEY B	10.50	17.30	5.25	7.00		
172310-4305	NATURAL	5	KEY B	14.00	20.80	7.00	10.50		
172310-4306	NATURAL	6	KEY B	17.50	24.30	8.75	14.00		
172310-4307	NATURAL	7	KEY B	21.00	27.80	10.50	17.50		
172310-4308	NATURAL	8	KEY B	24.50	31.30	12.25	21.00		
172310-8303	BLACK	3	KEY A	7.00	13.80	3.50	0.00	1723108000-PK	
172310-9303	NATURAL	3	KEY B	7.00	13.80	3.50	0.00		

SYMBOLS	THIS DRAWING CONTAINS INFORMATION THAT IS PROPRIETARY TO MOLEX ELECTRONIC TECHNOLOGIES, LLC AND SHOULD NOT BE USED WITHOUT WRITTEN PERMISSION										
	DIMENSION UNITS	SCALE	CURRENT REV DESC:								
▽ = 0	mm	5:1	EC NO: 767102 DRWN: LEOW 2023/07/19 CHK'D: XQZHANG 2023/10/30 APPR: XQZHANG 2023/10/30 INITIAL REVISION: DRWN: PPerez03 2016/02/22 APPR: RHODGE 2016/06/21								
▽ = 0	GENERAL TOLERANCES (UNLESS SPECIFIED)										
▽ = 0	ANGULAR TOL	± °									
▽ = 0	4 PLACES	±									
▽ = 0	3 PLACES	±									
▽ = 0	2 PLACES	± 0.13									
▽ = 0	1 PLACE	± 0.25									
▽ = 0	0 PLACES	±									
⊠ = 0	DRAFT WHERE APPLICABLE MUST REMAIN WITHIN DIMENSIONS		THIRD ANGLE PROJECTION	DRAWING	SERIES	MATERIAL NUMBER CUSTOMER SHEET NUMBER					
▽ = 0			⊕	D-SIZE	172310	1723102000		PSD	000	B2	2 OF 3

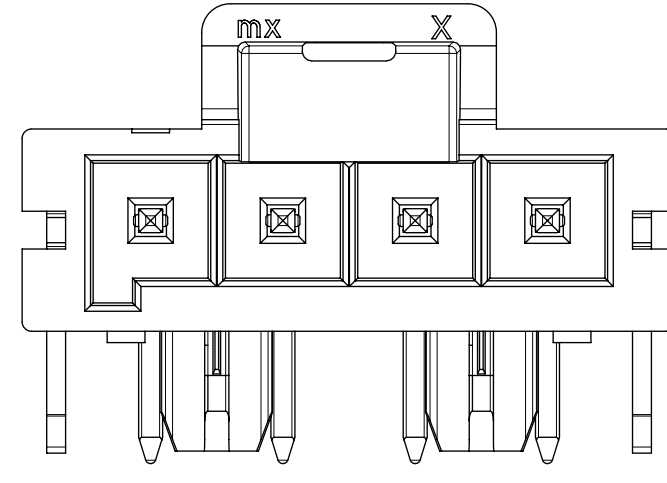
KEY A (BLACK)



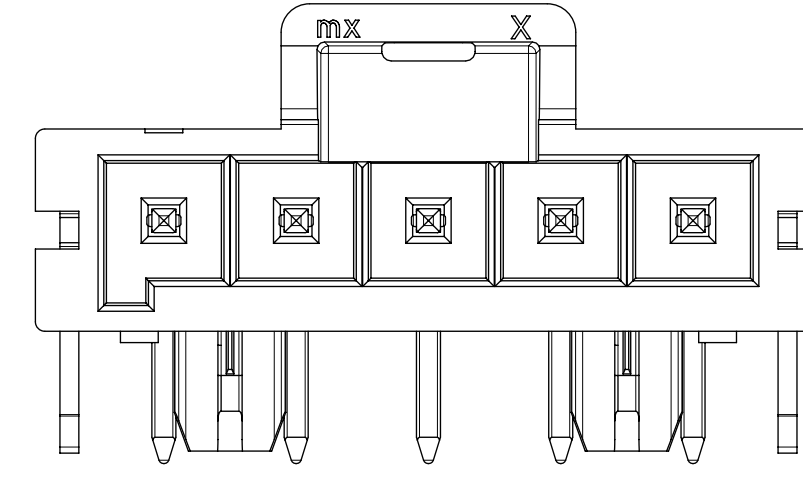
2CKT



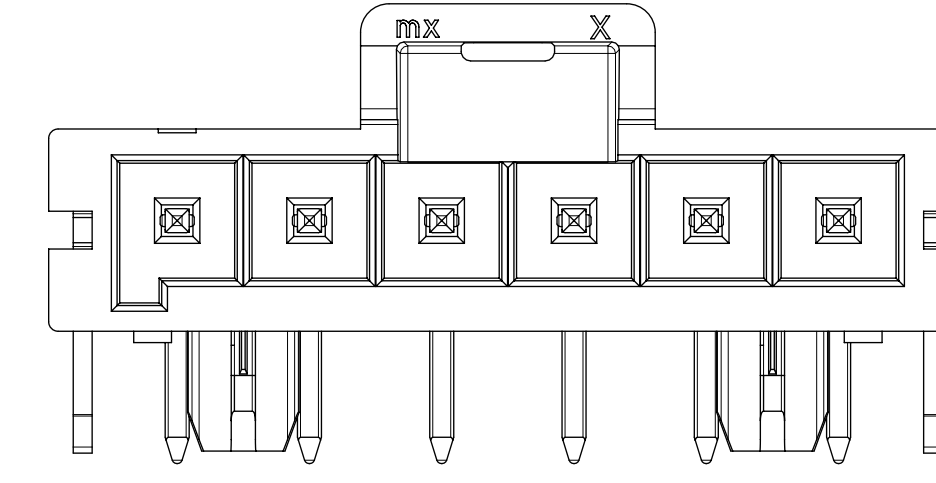
3CKT



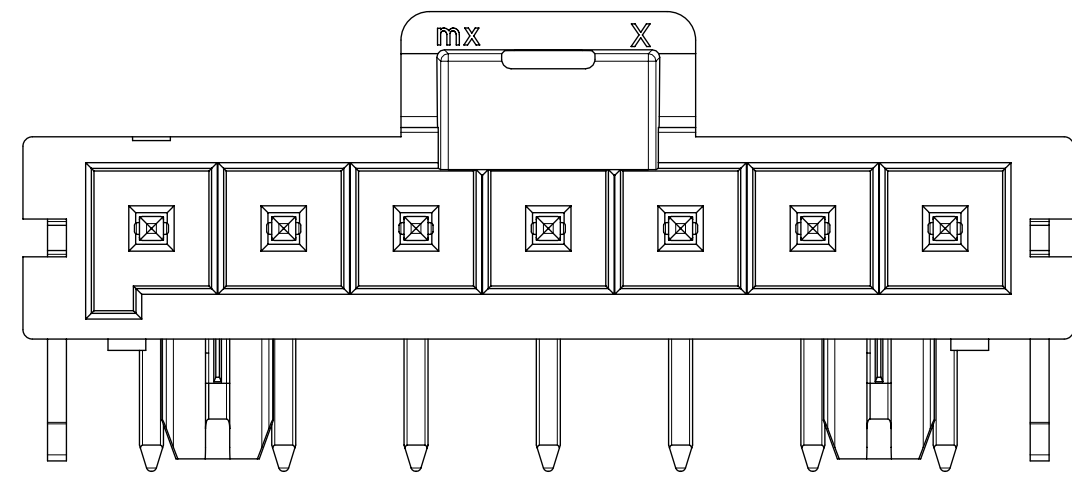
4CKT



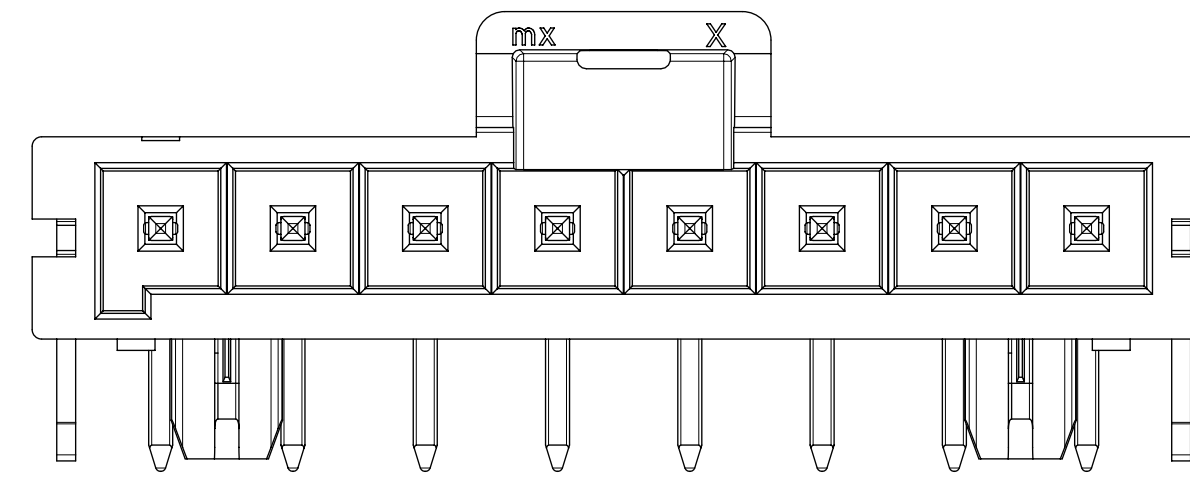
5CKT



6CKT

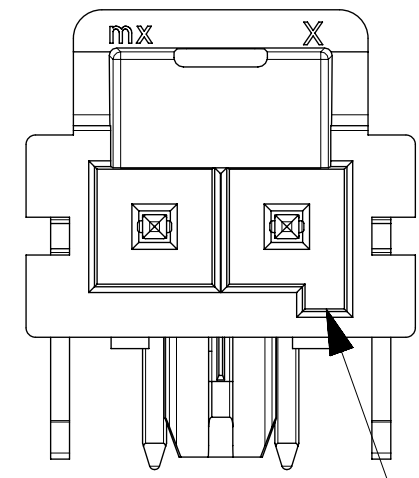


7CKT

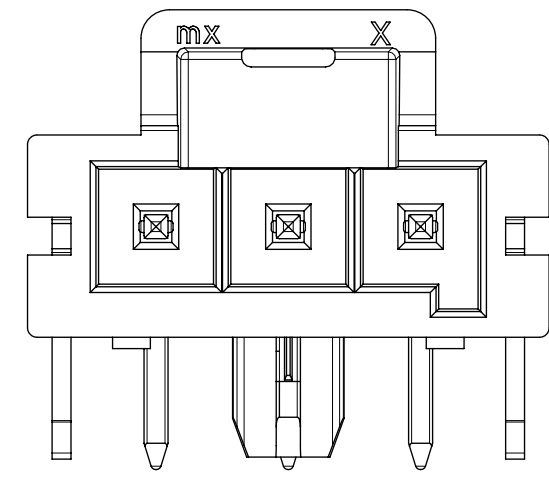


8CKT

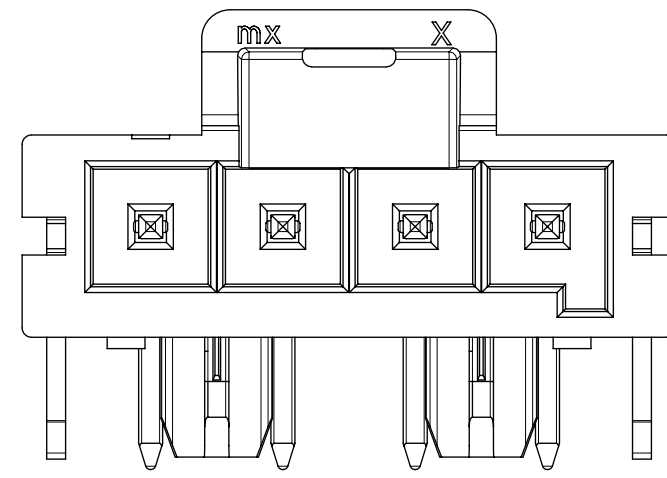
BLACK



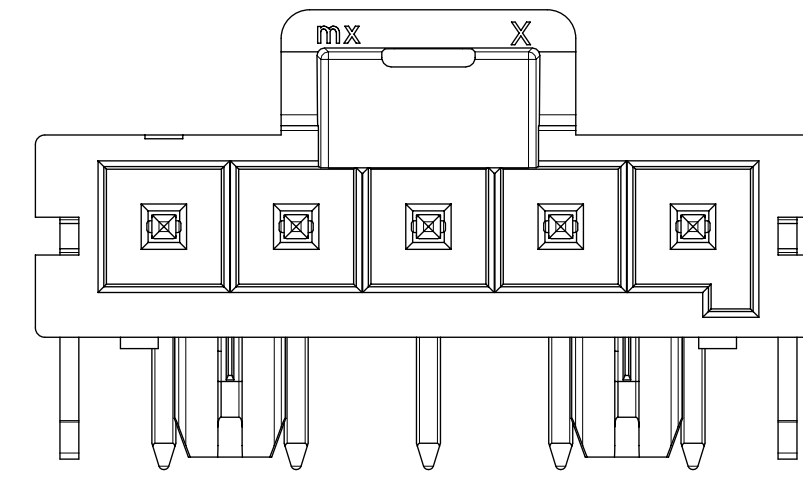
2 CKT



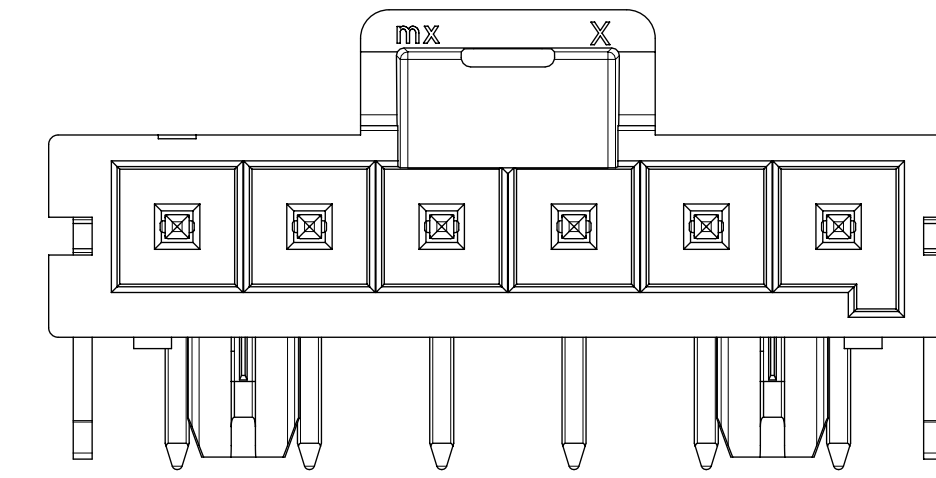
3 CKT



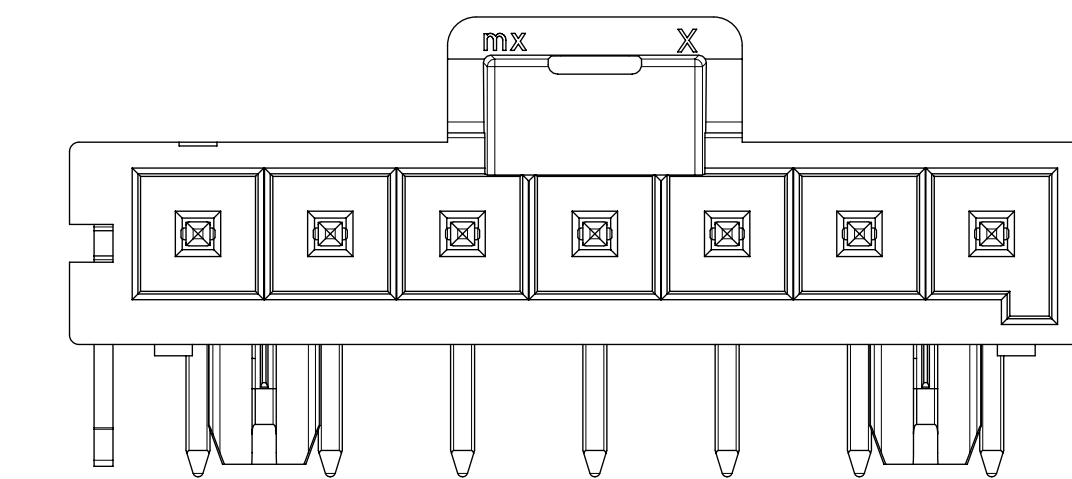
4 CKT



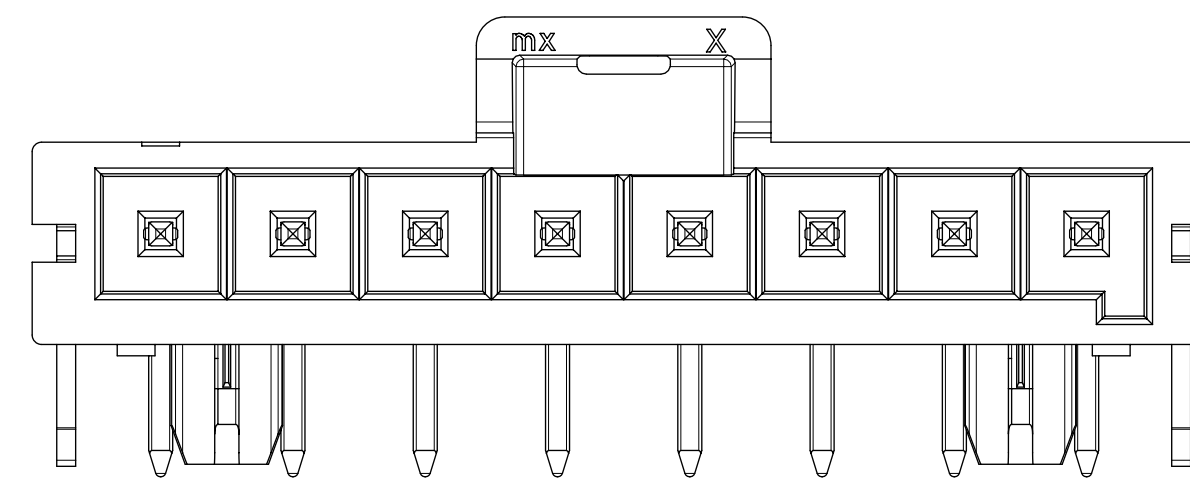
5 CKT



6 CKT



7 CKT



8 CKT

NATURAL

COLOR-POLARIZATION

SYMBOLS	THIS DRAWING CONTAINS INFORMATION THAT IS PROPRIETARY TO MOLEX ELECTRONIC TECHNOLOGIES, LLC AND SHOULD NOT BE USED WITHOUT WRITTEN PERMISSION		CURRENT REV DESC:								
	DIMENSION UNITS	SCALE						EC NO: 767102	2023/07/19	DOCUMENT NUMBER	DOC TYPE
▽ = 0	mm	5:1	GENERAL TOLERANCES (UNLESS SPECIFIED)		DRWN: LEOW	2023/10/30	1723102000		PSD	000	B2
▽ = 0	ANGULAR TOL ± °		4 PLACES ±		CHK'D: XQZHANG	2023/10/30	PRODUCT CUSTOMER DRAWING		INITIAL REVISION:		
▽ = 0	3 PLACES ±		2 PLACES ± 0.13		APPR: XQZHANG	2023/10/30	DOCUMENT NUMBER		SERIES		
▽ = 0	2 PLACES ± 0.25		1 PLACE ±		INITIAL REVISION:		1723102000		MATERIAL NUMBER		
▽ = 0	0 PLACES ±		DRAFT WHERE APPLICABLE MUST REMAIN WITHIN DIMENSIONS		DRWN: PPerez03		172310		CUSTOMER		
⊠ = 0	THIRD ANGLE PROJECTION		DRAWING		APPR: RHODGE		D-SIZE		SHEET NUMBER		
▽ = 0							172310		3 OF 3		