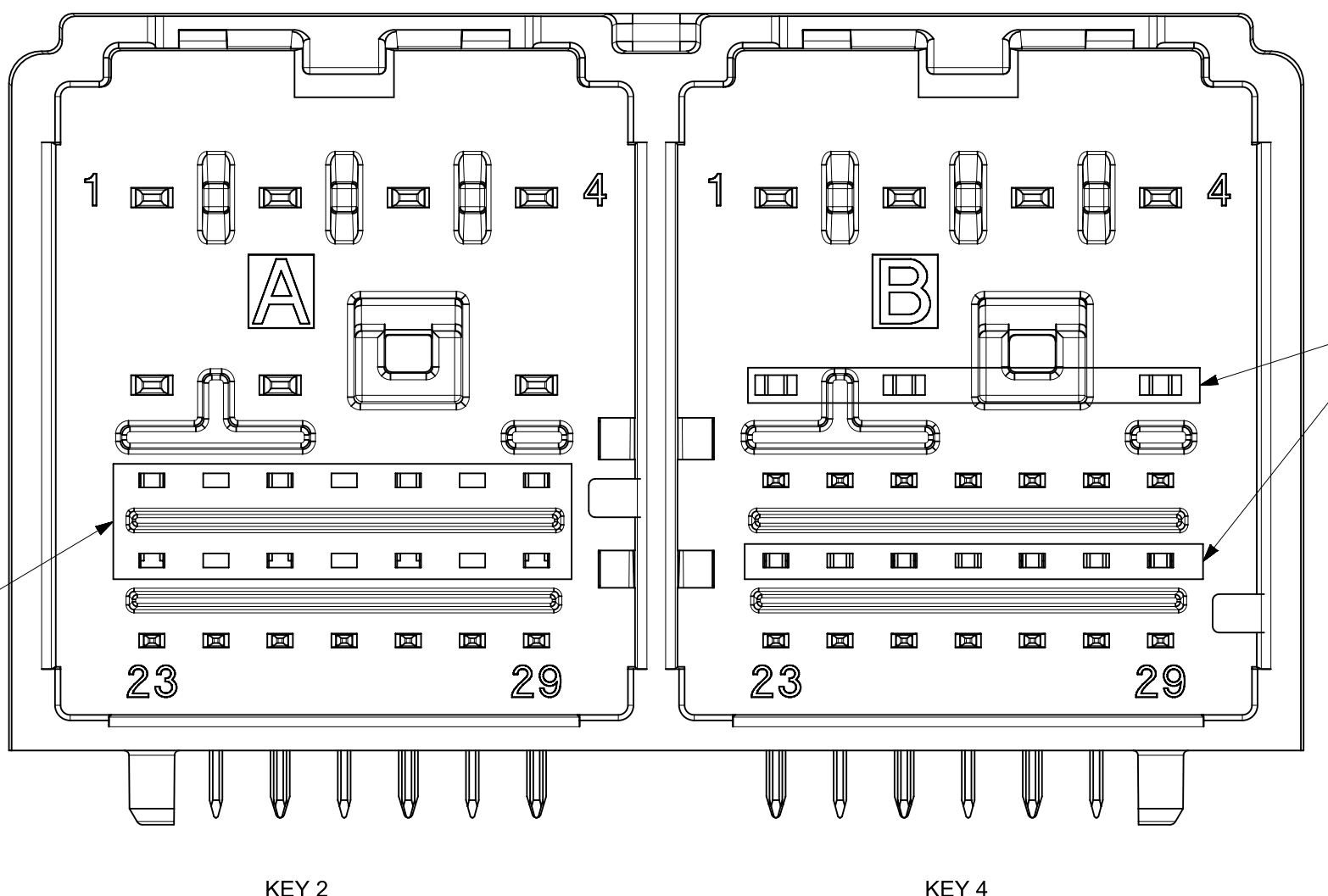
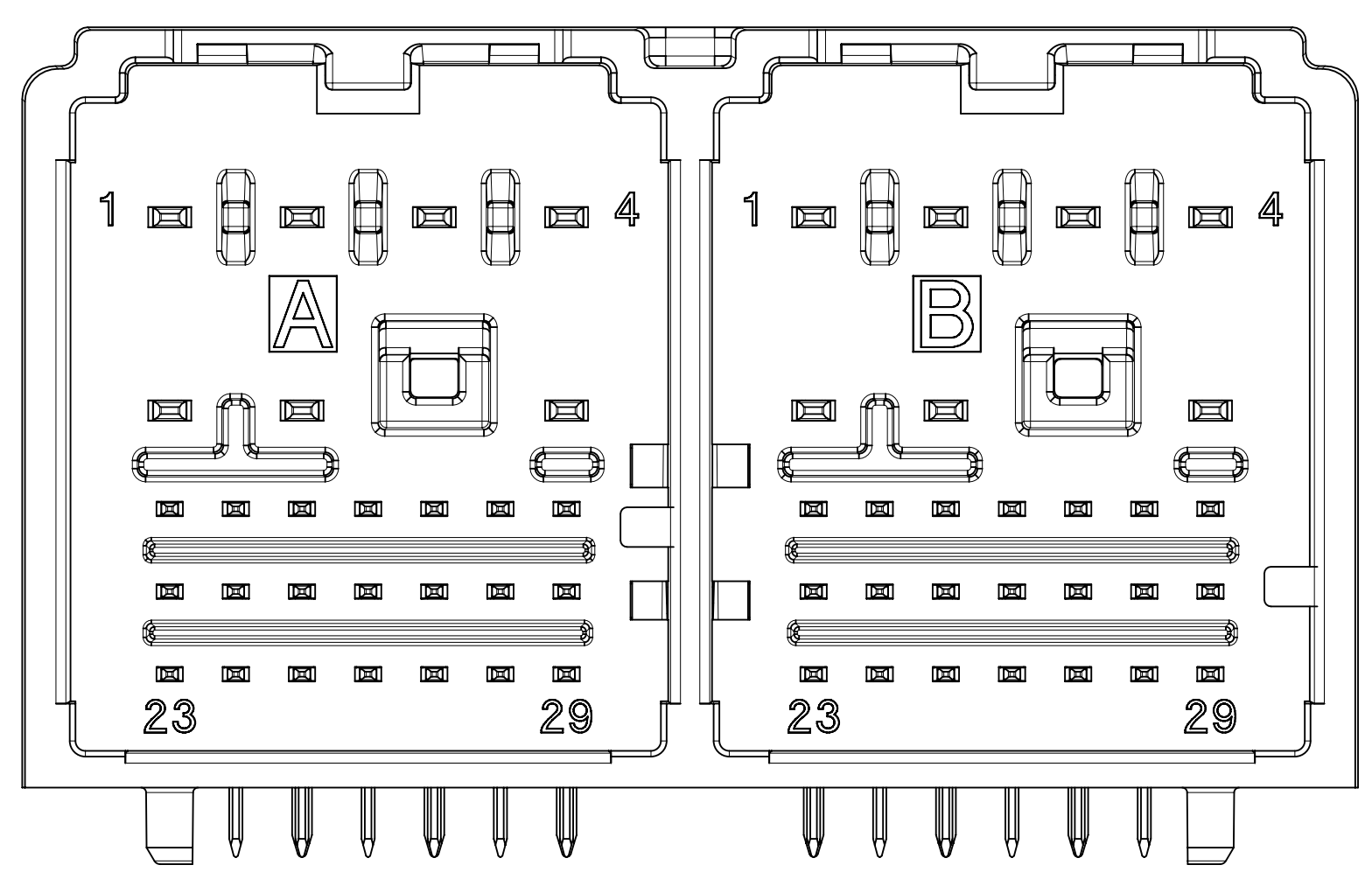


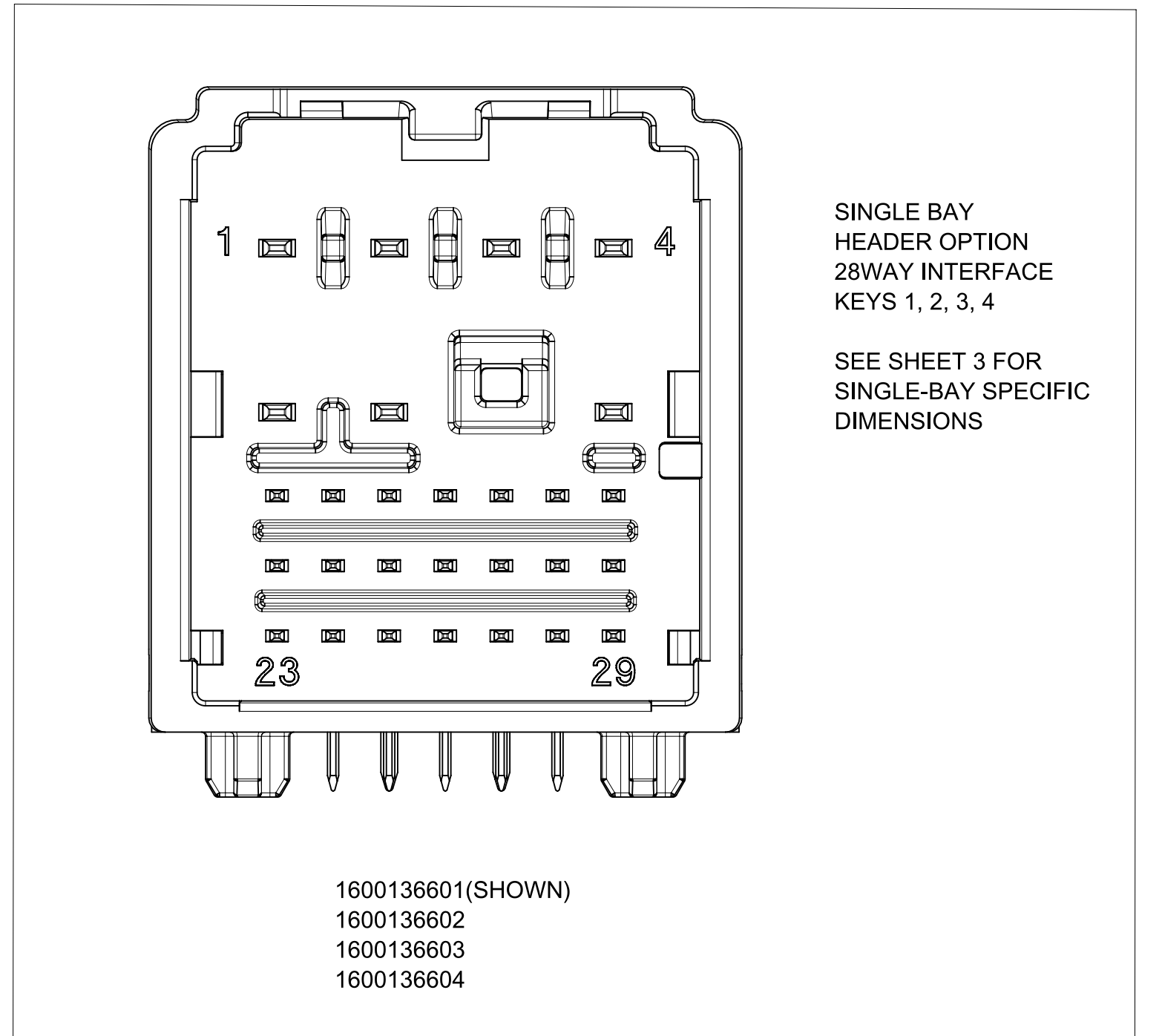
160013X641
1600133741
1600133841
1600134141
1600134641
1600133941



1600131624 (DEPOPULATED AS SHOWN)
1600133624 (USES FULL POPULATION)
1600133724 (USES FULL POPULATION)
1600133824 (USES FULL POPULATION)



160013X623

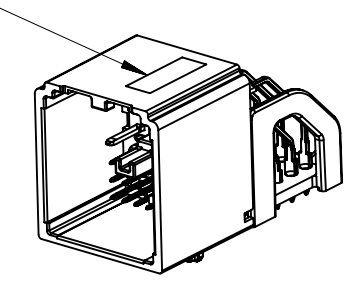


SINGLE BAY
HEADER OPTION
28WAY INTERFACE
KEYS 1, 2, 3, 4

SEE SHEET 3 FOR
SINGLE-BAY SPECIFIC
DIMENSIONS

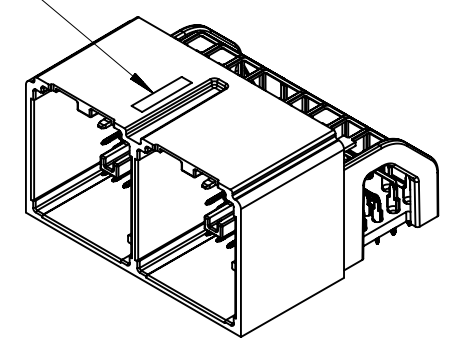
1600136601 (SHOWN)
1600136602
1600136603
1600136604

SEE NOTE 4.B.



Gen1
SCALE 1:1

SEE NOTE 4.B.



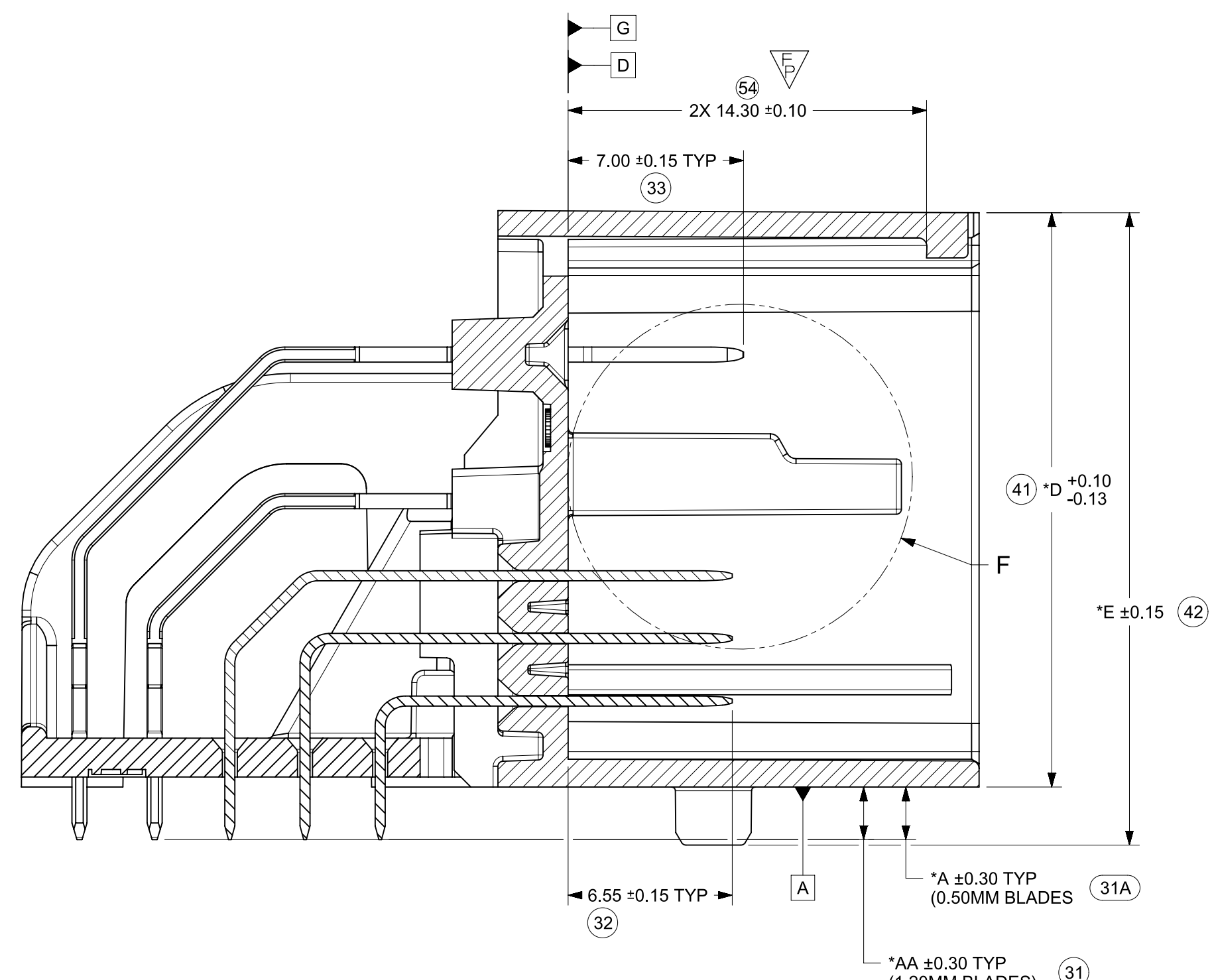
Iso1
SCALE 1:1

NOTES: VALID UNLESS OTHERWISE SPECIFIED

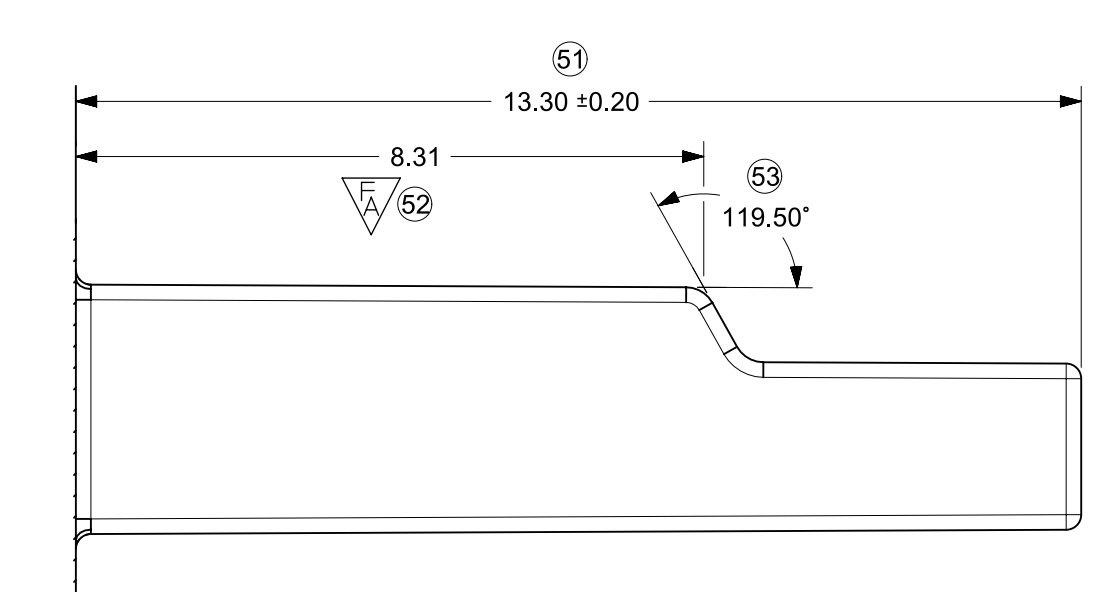
1. GENERAL:
 - a. APPLICATION SPECIFICATION SEE: AS-160013-001
 - b. PRODUCT SPECIFICATION SEE: PS-160013-001
 - c. PACKAGING SPECIFICATION PER BOM TABLE SHEET 4
2. DESIGN - MATERIALS:
 - a. SEE BOM TABLE
 - b. BLADE TERMINALS:
 1. 0.5mm Blades
Base Material: Copper Alloy
Conductivity ≥28% IACS @ 20°C
UNDERPLATING (OVERALL):
0.5 - 2.0 μm ELECTRO-DEPOSITED DUCTILE NICKEL SULFAMATE
OVERPLATING (OVERALL):
0.76 - 1.5 μm ELECTRO-DEPOSITED TIN (REFLOWED)
 2. 1.2mm Blades
Base Material: Copper Alloy
Conductivity ≥28% IACS @ 20°C
UNDERPLATING (OVERALL):
1.25 - 2.25 μm ELECTRO-DEPOSITED DUCTILE NICKEL SULFAMATE
TOP PLATING:
ZONE A (CONNECTOR END):
0.76 - 1.5 μm ELECTRO-DEPOSITED TIN REFLOWED
ZONE B (PCB END):
2.5 - 4.0 μm ELECTRO-DEPOSITED MATTE TIN (NO BRIGHTENERS)
3. DESIGN - GEOMETRY:
 - a. ALL GRAPHIC DATA IS BASIC (NO TOLERANCE) AND MUST BE TAKEN FROM THE DATA FILE AT ITS LATEST REVISION.
 - b. PRODUCT DESIGN MODEL NUMBER(S): SEE BOM TABLE
 - c. GEOMETRIC DIMENSIONS AND TOLERANCES PER ASME Y14.5-2009
 - d. EDGES AND UNDIMENSIONED DETAILS PER ISO13715
 - e. CORNERS SHOWN AS SHARP TO BE R 0.2 MAX.
 - f. LETTERING SHALL BE MAX POSSIBLE FOR READABILITY.
THIS INCLUDES RECYCLING CODE, CAVITY ID, VENDOR IDENTIFICATION
 - g. FOR BAY/POCKET DEFINITION SEE MOLEX INTERFACE DRAWING SD-160014-002, FOR ANY CONFLICTING DIMENSIONS OR TOLERANCES, SD-160013-0001 IS THE OVERRIDING DOCUMENT.
 - h. MATING HARNESS CONNECTORS MOLEX PN: 1600140001 (Key 1)
1600140002 (Key 2)
1600140003 (Key 3)
1600140004 (Key 4)
4. DESIGN - MANUFACTURING:
 - a. VISUAL DEFECTS SHALL MEET COSMETIC STANDARD PS-45499-002 (Class B)
 - b. HUMAN READABLE LASER MARKING
 1. INFORMATION
DDYY: JULIAN DATE CODE
XXXX: 5 DIGIT SERIAL NO.
 2. SIZE
HUMAN LEGIBLE
 - c. PIN MATE SIDE AND PCB SIDE TRUE POSITION TO BE VERIFIED ON-LINE WITH A GO/NO-GO FUNCTIONAL GAGE
 - d. REFLOW SOLDERABILITY PER SMES-152

A21	CHANGE 1600133941 PACKAGE TO TRAY PACK(STANDRD)-BLACK ECN#: CO-000001199 Kun Du 8/25/2022
A20	ADDED NEW PART NO.:1600133941 CHANGE 1600133741 PACKAGE TO TRAY PACK(STANDARD)
A19	RELEASED 56CKT V0 KEY 2 / KEY 4 HEADERS 1600133724 AND 1600133824 ECN#: 664151 J. PATE 05/17/2021
A18	PRODUCTION RELEASE OF V0 HEADER ASSEMBLIES ECN#: 648090 J. PATE 10/23/2020
A17	- ADDED V0 HEADER ASSEMBLIES - REMOVED OBSOLETE BOMS ENGINEERING RECORD: 636592 JPATE 04/05/2020

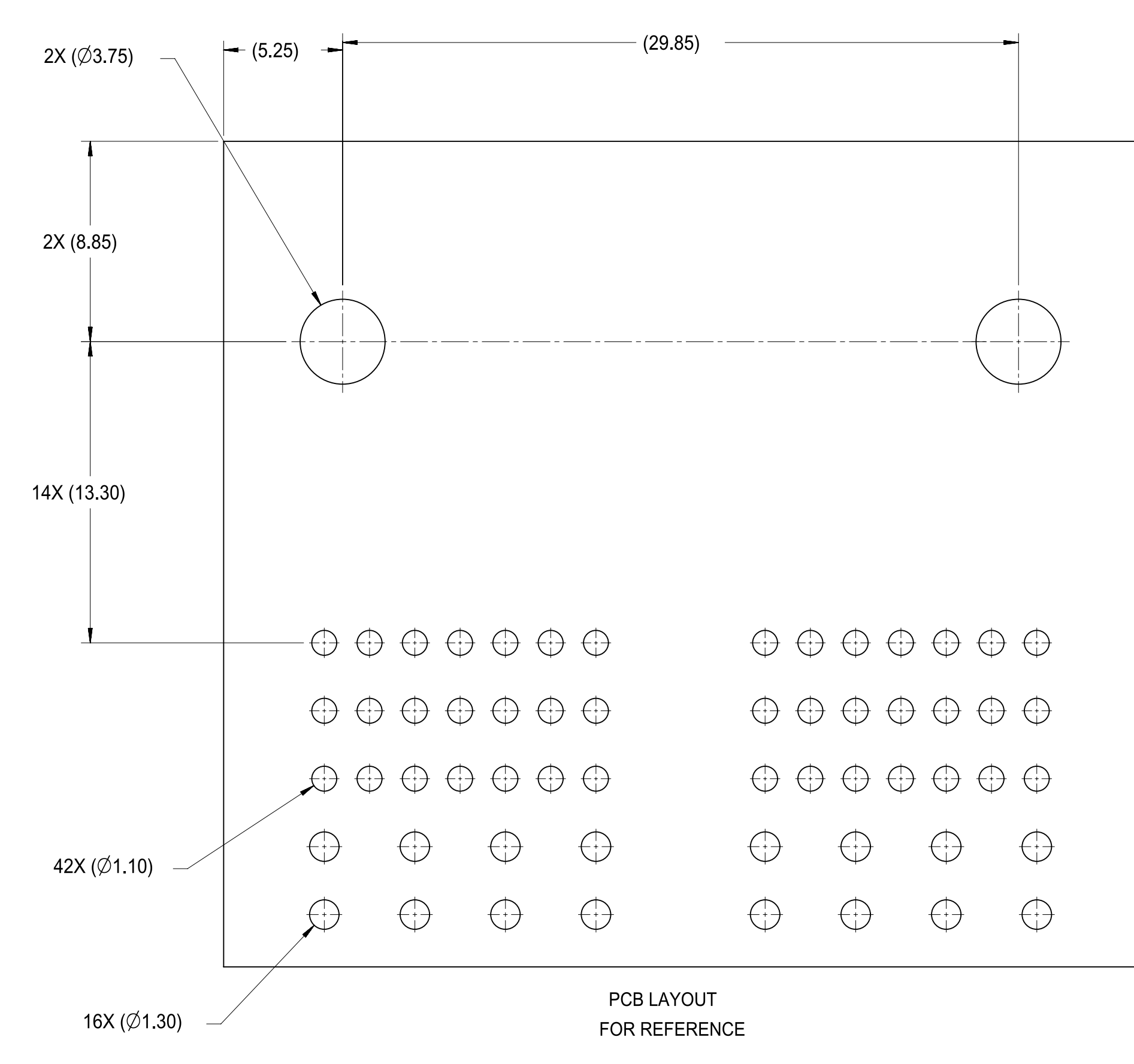
FUNCTIONAL SYMBOLS	THIS DRAWING CONTAINS INFORMATION THAT IS PROPRIETARY TO MOLEX ELECTRONIC TECHNOLOGIES, LLC AND SHOULD NOT BE USED WITHOUT WRITTEN PERMISSION		CURRENT REV DESC: SEE REVISION SHEET		molex
	DIMENSION UNITS	SCALE	PHASE: Design Production CO NO: CO-000001199		
FA = 0	mm	5:1	DRWN: Kun Du 2022-08-25		INFOTAINMENT HDR ASSY STAK50H SYSTEM
FE = 0	GENERAL TOLERANCES (UNLESS SPECIFIED)		CHK'D: Ringo Hu 2022-08-30		
FP = 0	ANGULAR TOL ± 3.0°		APPR: Mike Vanslambrouck 2022-09-19		PRODUCT SALES DRAWING
DIVISIONAL SYMBOLS	4 PLACES	±	INITIAL REVISION:		
	3 PLACES	±	DRWN: RFC_PLMIMP		
	2 PLACES	± 0.130	APPR:		
	1 PLACE	± 0.25	THIRD ANGLE PROJECTION		
0 PLACES	±	DRAWING		SD-160013-0001	
DRAFT WHERE APPLICABLE MUST REMAIN WITHIN DIMENSIONS		SERIES	MATERIAL NUMBER		
		D-DRAWING	160013	CUSTOMER	GENERAL MARKET
				SHEET NUMBER	
				1 OF 4	



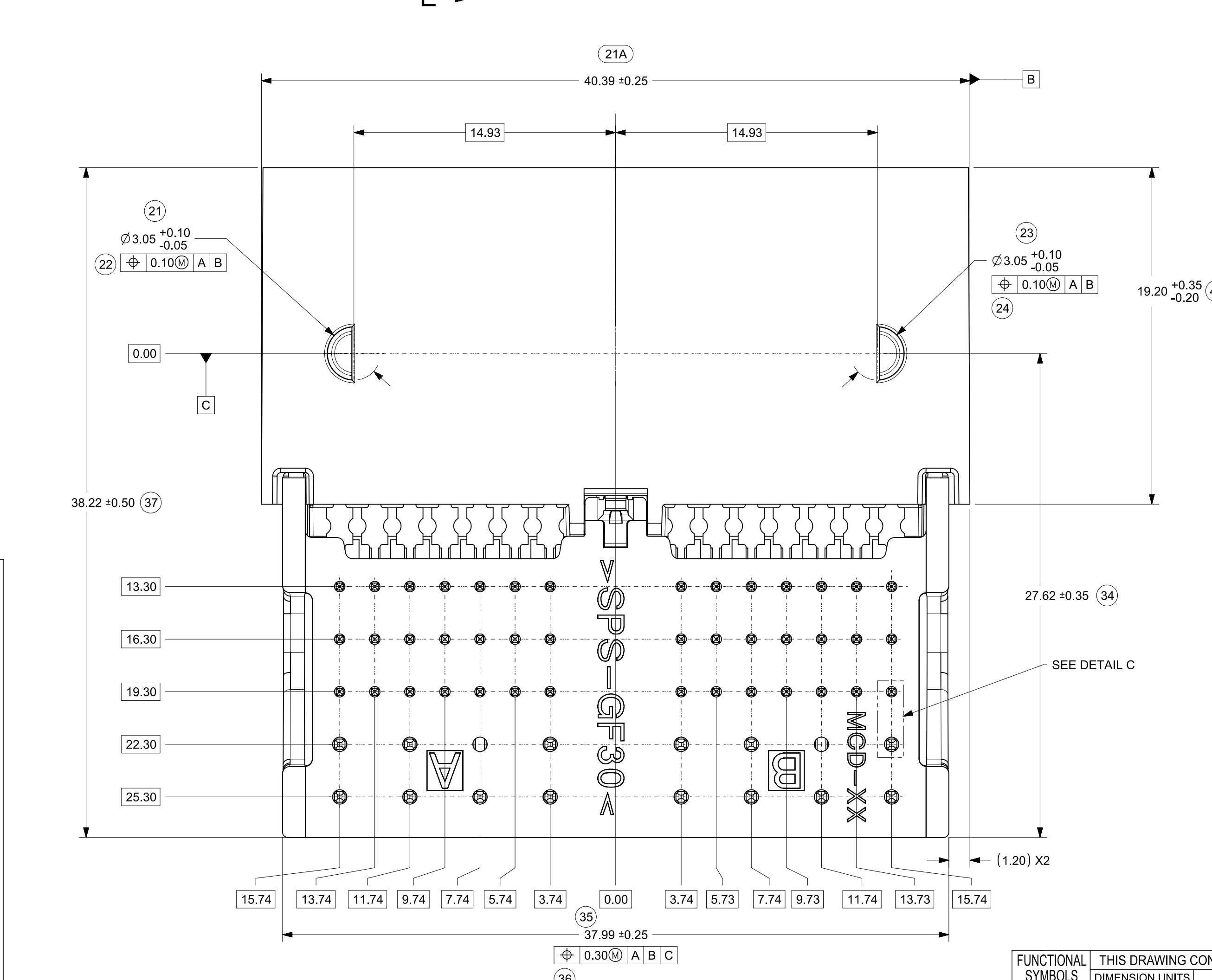
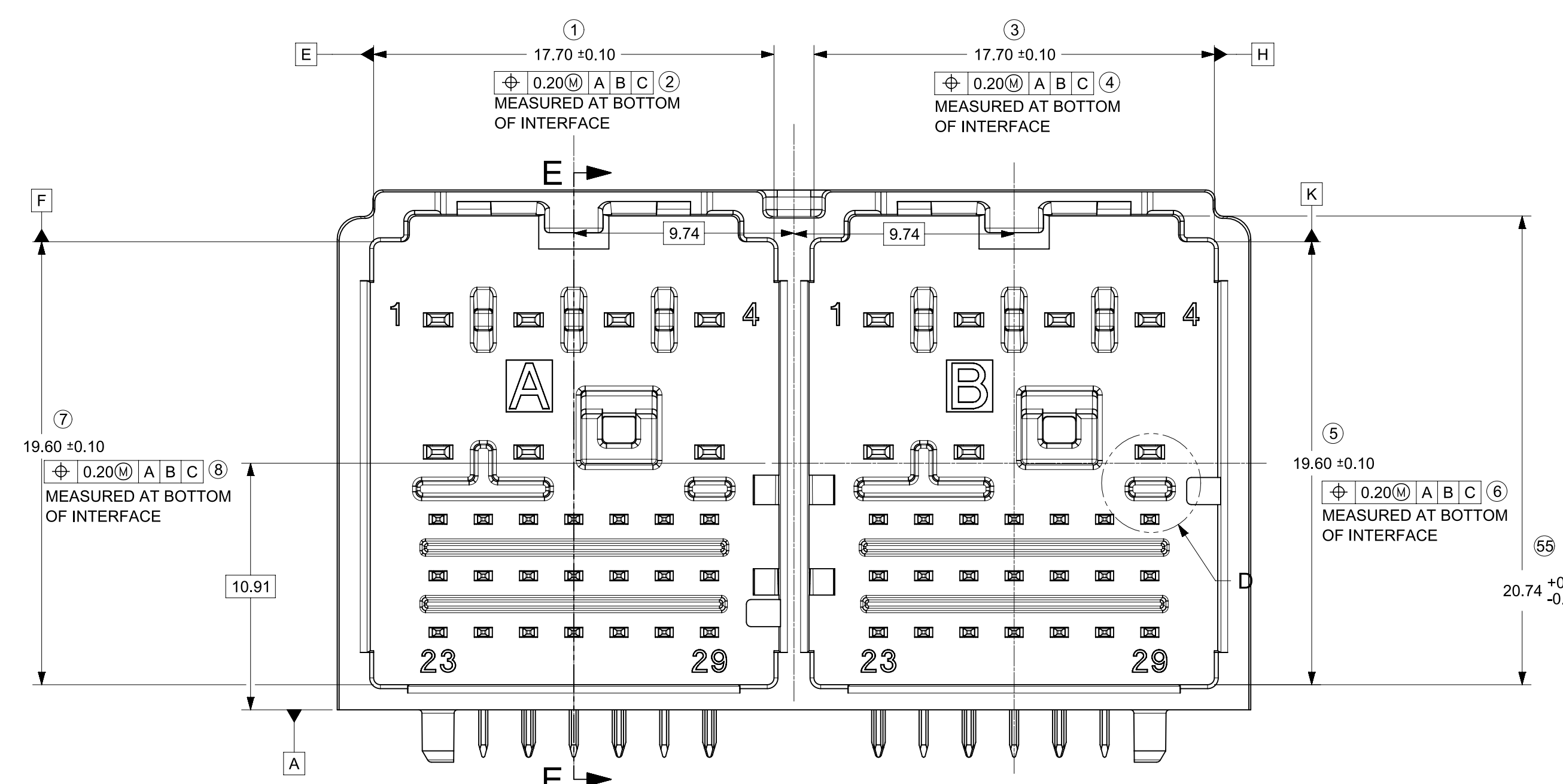
SECTION E-E



DETAIL F
SCALE 10:1



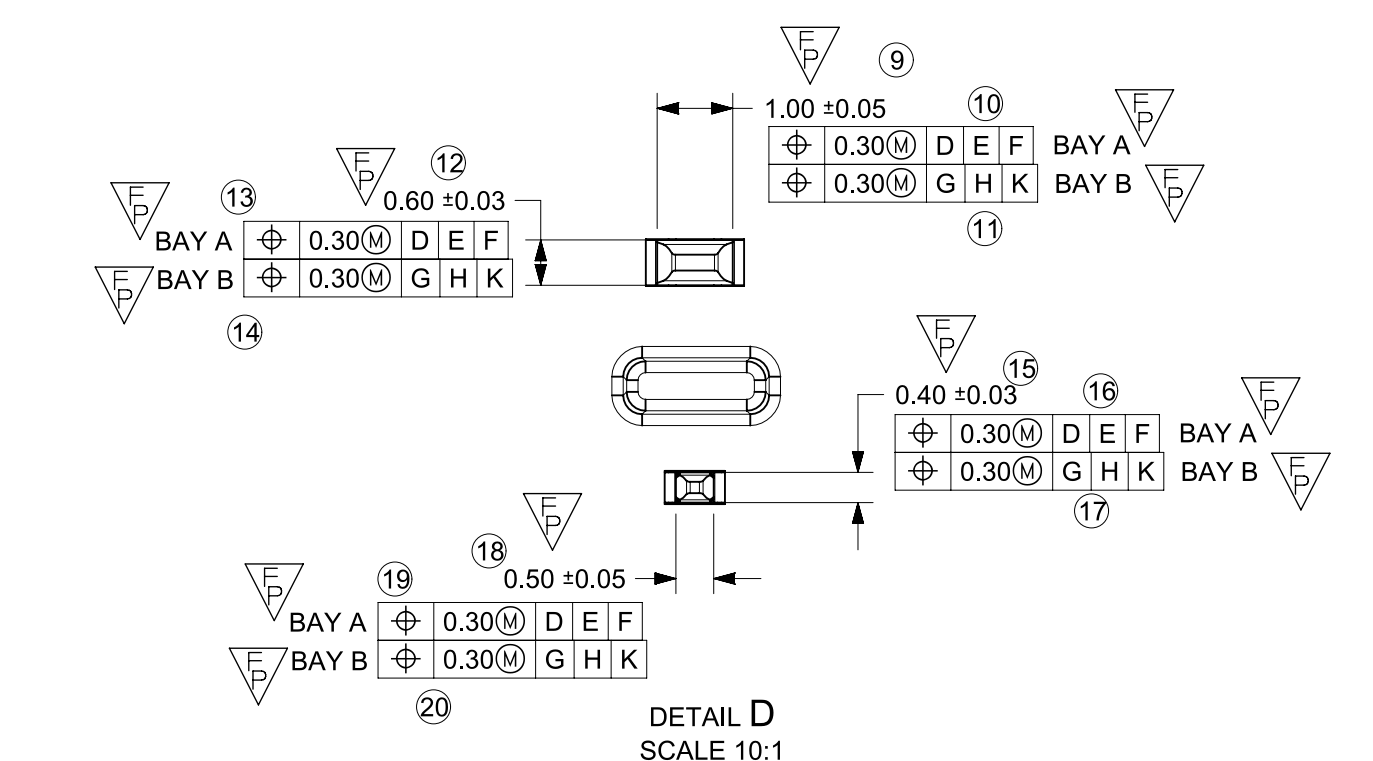
PCB LAYOUT
FOR REFERENCE



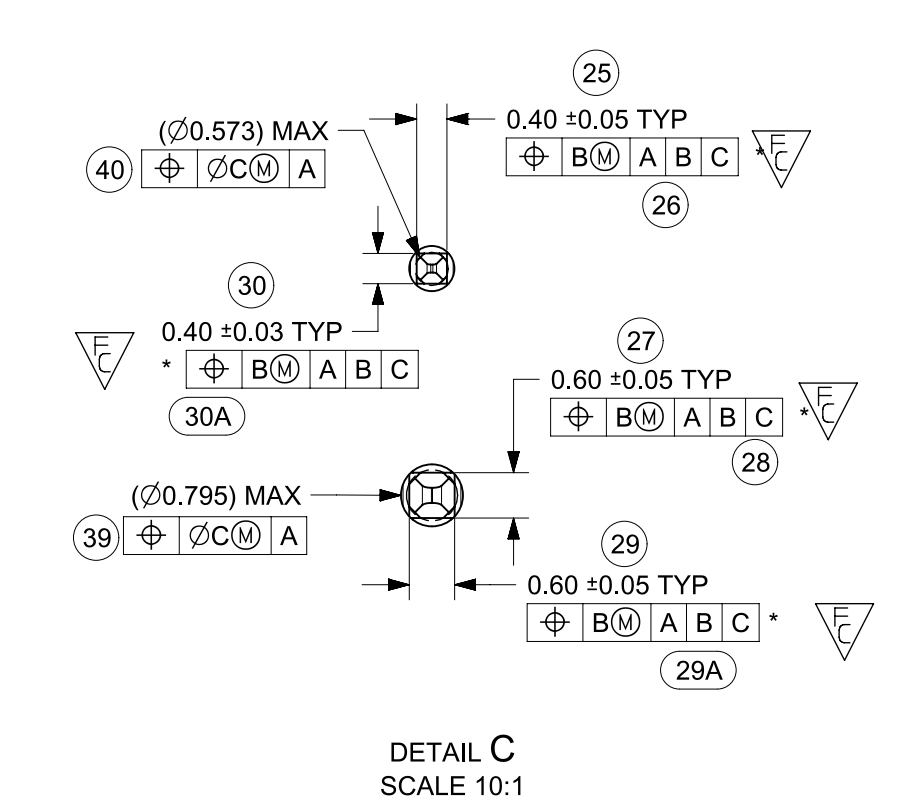
FUNCTIONAL SYMBOLS		THIS DRAWING CONTAINS INFORMATION THAT IS PROPRIETARY TO MOLEX ELECTRONIC TECHNOLOGIES, LLC AND SHOULD NOT BE USED WITHOUT WRITTEN PERMISSION	
SYMBOL	DESCRIPTION	DIMENSION UNITS	SCALE
$\nabla_A = 0$	0	mm	5:1
$\nabla_E = 0$	0		
$\nabla_P = 0$	0		
DIVISIONAL SYMBOLS		CURRENT REV DESC: SEE REVISION SHEET	
4 PLACES	±	PHASE: Design Production	
3 PLACES	±	CO NO: CO-000001199	
2 PLACES	± 0.130	DRWN: Kun Du 2022-08-25	
1 PLACE	± 0.25	CHK'D: Ringo Hu 2022-08-30	
0 PLACES	±	APPR: Mike Vanslambrouck 2022-09-19	
DRAFT WHERE APPLICABLE MUST REMAIN WITHIN DIMENSIONS		THIRD ANGLE PROJECTION	DRAWING
			D-SIZE
		SERIES	160013
		MATERIAL NUMBER	GENERAL MARKET
		CUSTOMER	
		SHEET NUMBER	2 OF 4

HEADER ASSEMBLY OPTIONS						
PART NUMBER	DIM A*	DIM AA*	DIM B*	DIM C*	DIM *D	DIM *E
1600130641	2.1	2.1	0.40	0.37	22.92	25.23
1600132641	2.1	2.1	0.40	0.37	22.92	25.23
1600130623	2.1	2.1	0.40	0.37	22.92	25.23
1600132623	2.1	2.1	0.40	0.37	22.92	25.23
1600131624	2.5	2.5	0.53	0.50	22.92	25.23
1600133641	2.5	2.5	0.53	0.50	22.92	25.23
1600133623	2.5	2.5	0.53	0.50	22.92	25.23
160013660X	2.5	2.5	0.53	0.50	22.92	25.23
1600134623	2.5	3.0	0.68	0.65	22.92	25.23
1600134141	2.5	3.0	0.68	0.65	22.92	25.23
1600134641	2.5	3.0	0.68	0.65	22.92	25.23
1600133624	2.5	2.5	0.53	0.50	22.92	25.23
1600133724	2.5	2.5	0.53	0.50	23.23	25.54
1600133741	2.5	2.5	0.53	0.50	22.92	25.23
1600133823	2.5	2.5	0.53	0.50	23.23	25.54
1600133824	2.5	2.5	0.53	0.50	23.23	25.54
1600133841	2.5	2.5	0.53	0.50	23.23	25.54
1600133941	2.5	2.5	0.53	0.50	22.92	25.23

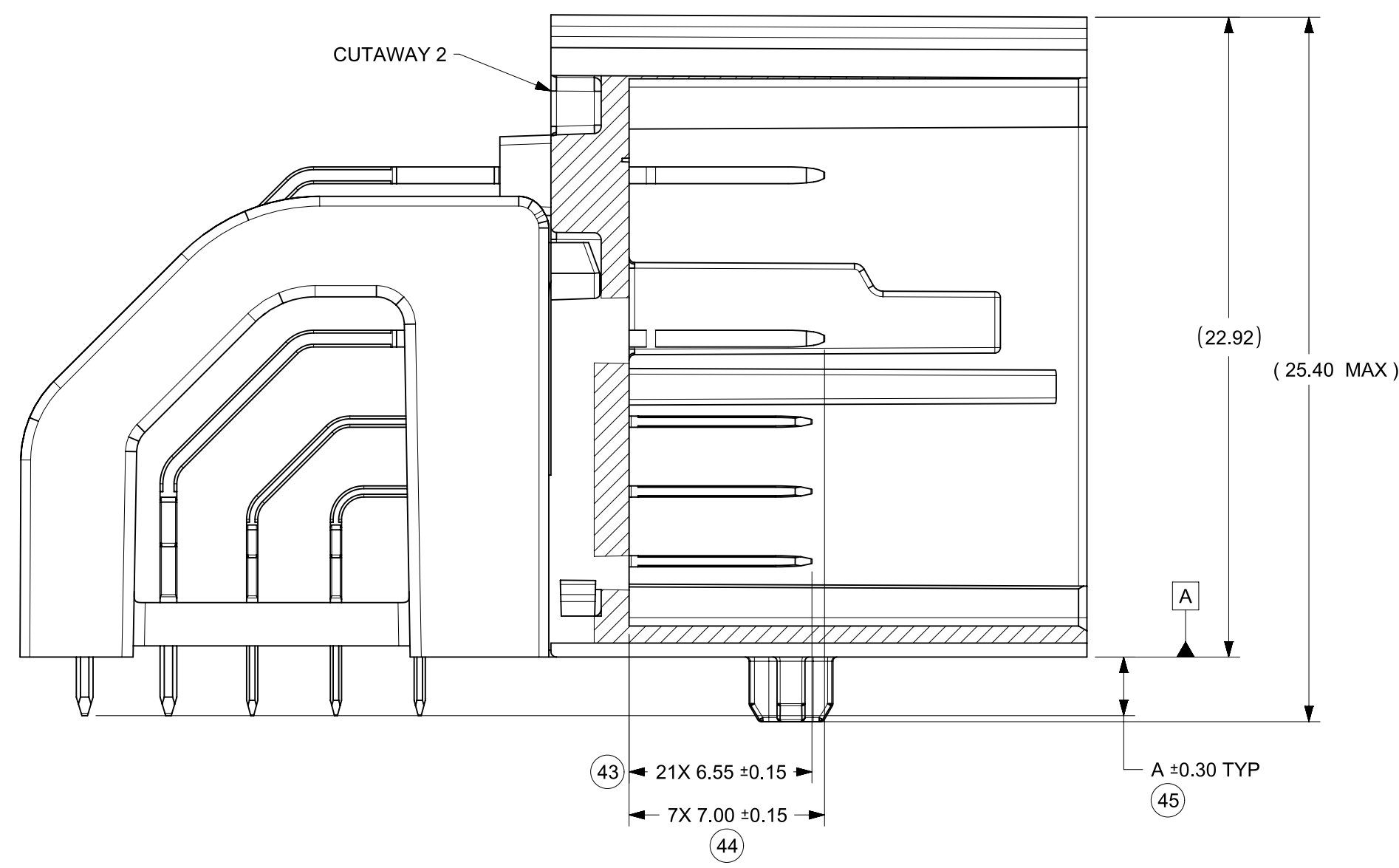
*X=1/2/3/4;



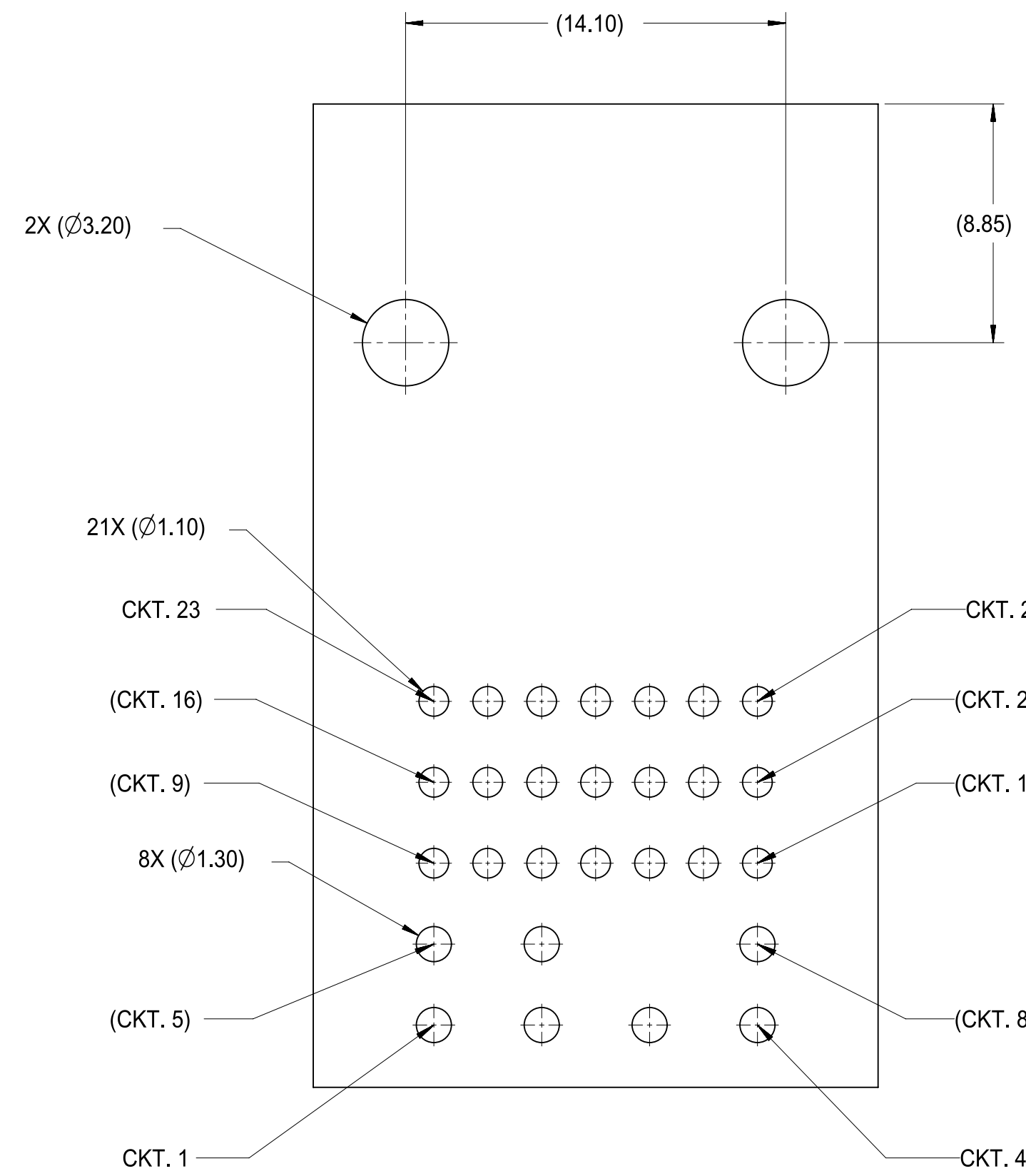
DETAIL D
SCALE 10:1



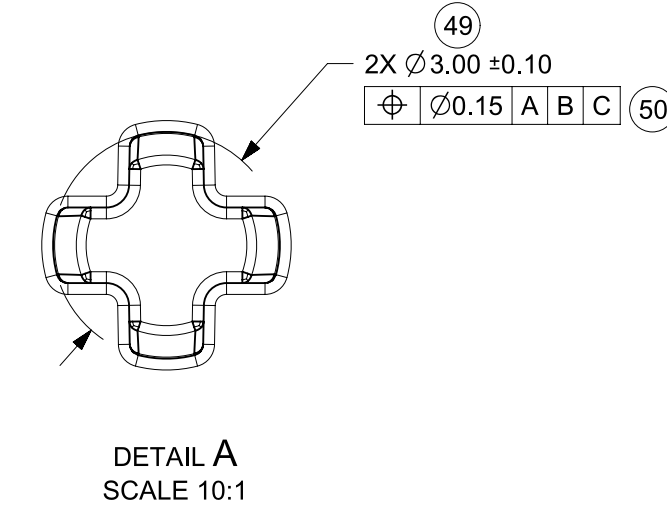
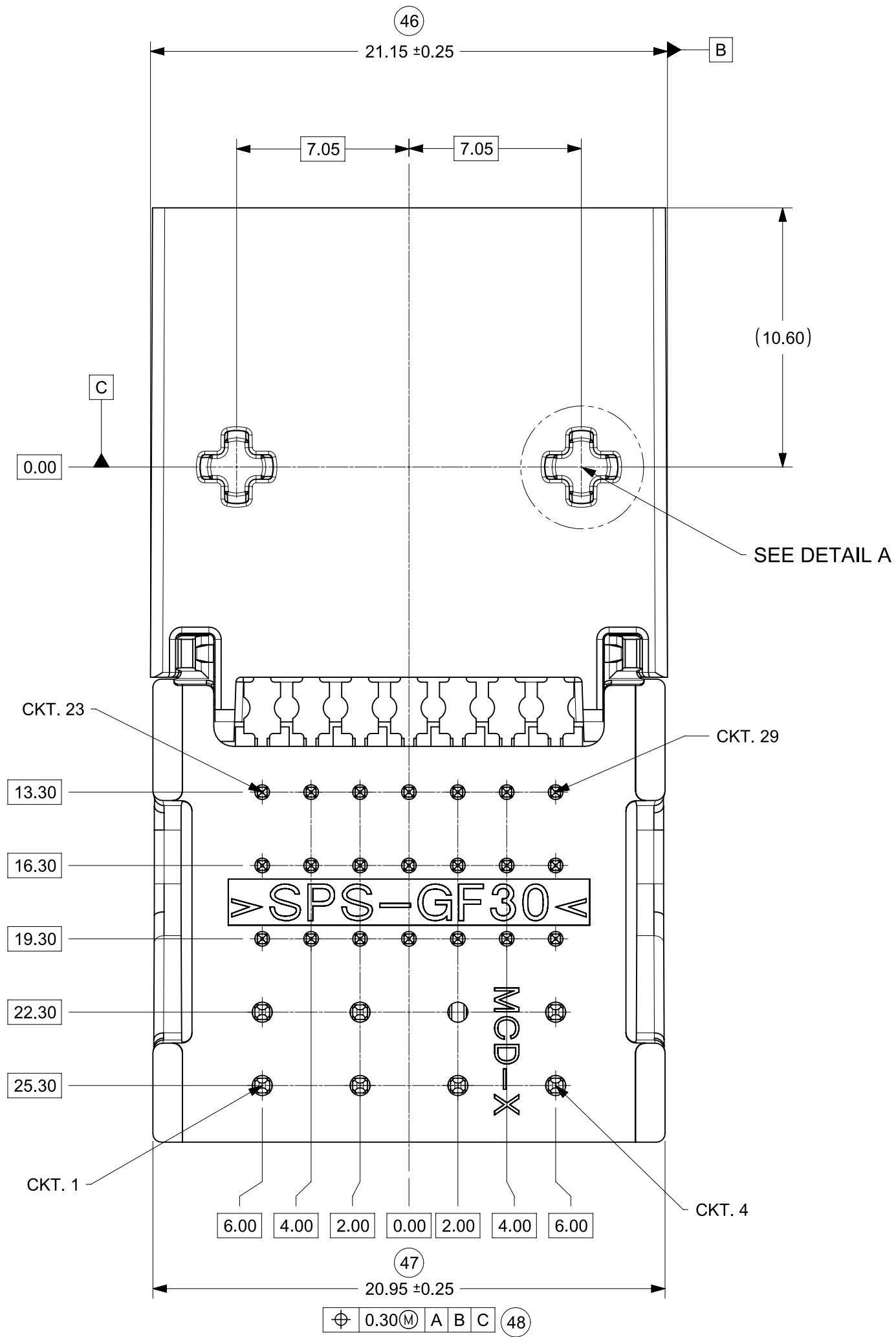
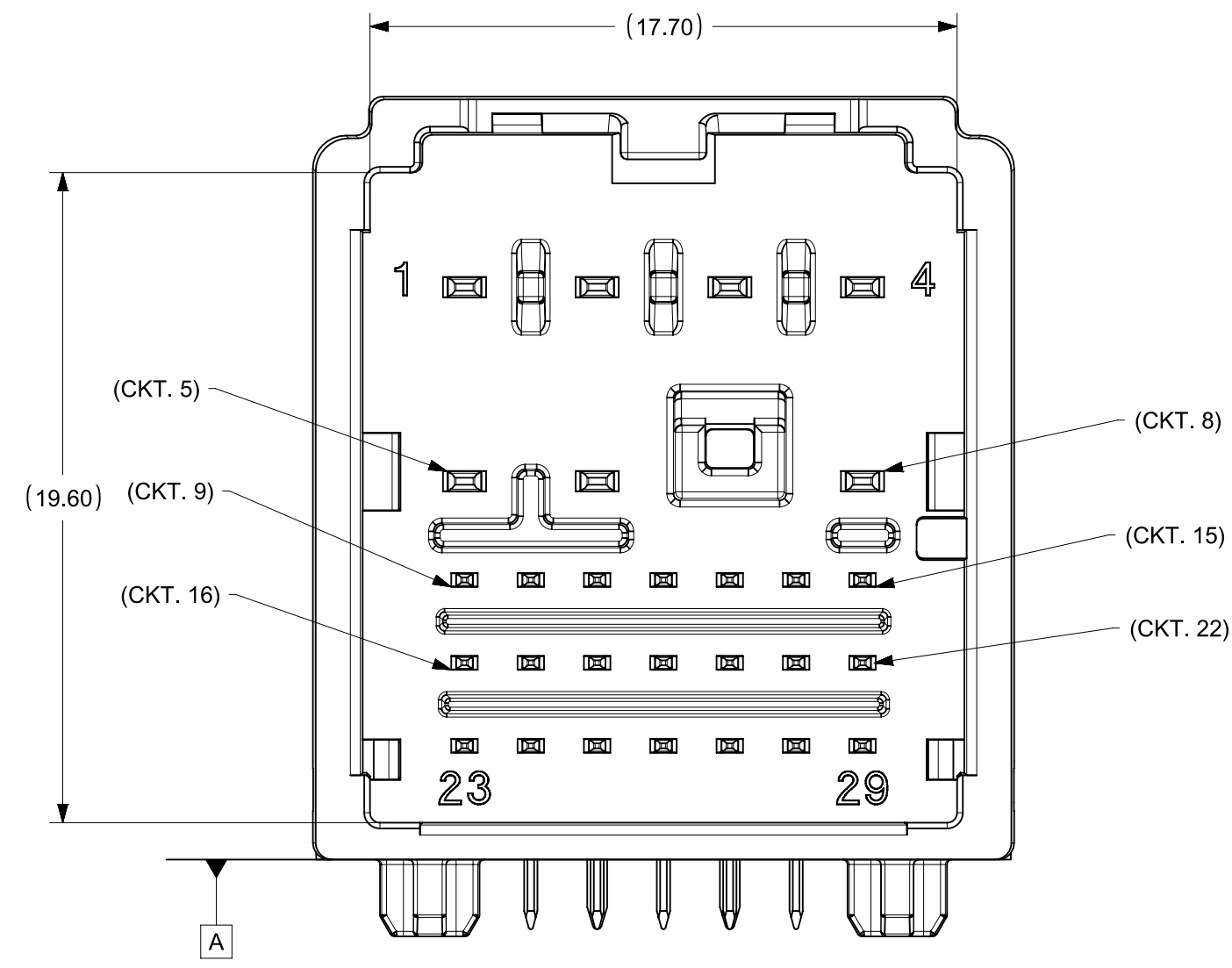
DETAIL C
SCALE 10:1



28WAY HEADER ONLY



PCB LAYOUT FOR REFERENCE ONLY



FUNCTIONAL SYMBOLS	THIS DRAWING CONTAINS INFORMATION THAT IS PROPRIETARY TO MOLEX ELECTRONIC TECHNOLOGIES, LLC AND SHOULD NOT BE USED WITHOUT WRITTEN PERMISSION		CURRENT REV DESC: SEE REVISION SHEET	
	DIMENSION UNITS	SCALE		
FA = 0	mm	5:1		
FC = 0	GENERAL TOLERANCES (UNLESS SPECIFIED)			
FD = 0	ANGULAR TOL ± 3.0°			
DIVISIONAL SYMBOLS	4 PLACES	±	PHASE: Design Production	
	3 PLACES	±	CO NO: CO-000001199	
	2 PLACES	± 0.130	DRWN: Kun Du 2022-08-25	
	1 PLACE	± 0.25	CHK'D: Ringo Hu 2022-08-30	
	0 PLACES	±	APPR: Mike Vanslambrouck 2022-09-19	
DRAFT WHERE APPLICABLE MUST REMAIN WITHIN DIMENSIONS		THIRD ANGLE PROJECTION	DRAWING	SERIES
			D-SIZE	160013
		MATERIAL NUMBER	CUSTOMER	SHEET NUMBER
		SD-160013-0001	GENERAL MARKET	3 OF 4
		DOC TYPE	DOC PART	REVISION
		PSD	001	A21

molex

INFOTAINMENT HDR ASSY
STAK50H SYSTEM

PRODUCT SALES DRAWING

DOCUMENT NUMBER: SD-160013-0001
DOC TYPE: PSD
DOC PART: 001
REVISION: A21

MATERIAL NUMBER: GENERAL MARKET
CUSTOMER: GENERAL MARKET
SHEET NUMBER: 3 OF 4

COMPONENT TYPE	ITEM NO.	PART NUMBER	DESCRIPTION	MATERIAL	COLOR	FLAMABILITY RATING	DRAWING	QTY	QTY	QTY	QTY	QTY	QTY	QTY	QTY	QTY	QTY	QTY	QTY	QTY	QTY	QTY	QTY	QTY	QTY
HEADER	1	1600136500	HEADER SHROUD KEY 4 & 1 (2 BAY)	SPS-GF30	GRAY	HB	E-160013-0500	1	--	--	1	1	--	--	--	--	--	--	--	--	--	1	--	--	1
	2	1600136542	HEADER SHROUD KEY 4 & 2 (2 BAY)	SPS-GF30	GRAY	HB	E-160013-0500	--	--	--	--	--	--	--	--	--	--	--	--	--	--	--	--	--	--
	3	1600136543	HEADER SHROUD KEY 4 & 3 (2 BAY)	SPS-GF30	GRAY	HB	E-160013-0500	--	--	--	--	--	--	--	--	--	--	--	--	--	--	--	--	--	--
	4	1600136521	HEADER SHROUD KEY 2 & 1 (2 BAY)	SPS-GF30	GRAY	HB	E-160013-0500	--	--	--	--	--	--	--	--	--	--	--	--	--	--	--	--	--	--
	5	1600136523	HEADER SHROUD KEY 2 & 3 (2 BAY)	SPS-GF30	GRAY	HB	E-160013-0500	--	1	--	--	--	1	--	--	--	1	1	--	--	--	--	--	--	--
	6	1600136524	HEADER SHROUD KEY 2 & 4 (2 BAY)	SPS-GF30	GRAY	HB	E-160013-0500	--	--	1	--	--	--	--	--	--	--	1	1	--	--	--	--	--	--
	7	1600136551	HEADER SHROUD KEY 1 (1 BAY)	SPS-GF30	GRAY	HB	E-160013-0500	--	--	--	--	--	1	--	--	--	--	--	--	--	--	--	--	--	--
	8	1600136552	HEADER SHROUD KEY 2 (1 BAY)	SPS-GF30	GRAY	HB	E-160013-0500	--	--	--	--	--	1	--	--	--	--	--	--	--	--	--	--	--	--
	9	1600136553	HEADER SHROUD KEY 3 (1 BAY)	SPS-GF30	GRAY	HB	E-160013-0500	--	--	--	--	--	1	--	--	--	--	--	--	--	--	--	--	--	--
	10	1600136554	HEADER SHROUD KEY 4 (1 BAY)	SPS-GF30	GRAY	HB	E-160013-0500	--	--	--	--	--	1	--	--	--	--	--	--	--	--	--	--	--	--
	11	1600132541	HEADER SHROUD KEY 4 & 1 (2 BAY)	SPS-GF30	BLACK	HB	E-160013-0500	--	--	--	--	--	--	--	--	--	1	1	--	--	--	--	--	--	--
	12	1600136723	HEADER SHROUD KEY 2 & 3 (2 BAY)	PA9T-GF30	BLACK	V0	1600136741(PDD)	--	--	--	--	--	--	--	--	--	--	--	--	--	--	--	--	--	--
	13	1600136724	HEADER SHROUD KEY 2 & 4 (2 BAY)	PA9T-GF30	BLACK	V0	1600136741(PDD)	--	--	--	--	--	--	--	--	--	--	1	--	--	--	1	--	--	--
	14	1600136741	HEADER SHROUD KEY 4 & 1 (2 BAY)	PA9T-GF30	BLACK	V0	1600136741(PDD)	--	--	--	--	--	--	--	--	--	--	--	1	--	--	1	--	--	--
PIN ALIGNMENT PLATE	15	1600130700	PIN ALIGNMENT PLATE (2 BAY)	SPS-GF30	GRAY	HB	E-160013-0700	1	1	1	1	1	1	--	--	--	1	1	1	1	1	1	--	1	
	16	1600130710	PIN ALIGNMENT PLATE (1 BAY)	SPS-GF30	GRAY	HB	E-160013-0710	--	--	--	--	--	1	1	1	1	--	--	--	--	--	--	--	--	
	17	1600130720	PIN ALIGNMENT PLATE (2 BAY)	PA9T-GF30	BLACK	V0	1600130720(PDD)	--	--	--	--	--	--	--	--	--	--	--	1	--	--	1	1	--	--
PLATED 1.2MM BLADE TERMINAL	18	1600130111	1.2MM BLADE - LONG	PLATED BRASS	N/A	N/A	E-160013-0100	8	8	--	8	--	--	--	--	--	8	--	--	--	--	--	--	--	
	19	1600130112	1.2MM BLADE - SHORT	PLATED BRASS	N/A	N/A	E-160013-0100	6	6	--	6	--	--	--	--	6	--	--	--	--	--	--	--	--	
	20	1600130114	1.2MM BLADE - LONG OPTION 2	PLATED BRASS	N/A	N/A	E-160013-0100	--	--	8	--	8	4	4	4	4	--	--	8	8	8	8	8	8	8
	21	1600130113	1.2MM BLADE - SHORT OPTION 2	PLATED BRASS	N/A	N/A	E-160013-0100	--	--	3	--	6	6	3	3	3	3	--	--	6	6	6	6	6	6
	22	1600130116	1.2MM BLADE - LONG OPTION 3	PLATED BRASS	N/A	N/A	E-160013-0100	--	--	--	--	--	--	--	--	--	8	8	8	--	--	--	--	--	--
	23	1600130115	1.2MM BLADE - SHORT OPTION 3	PLATED BRASS	N/A	N/A	E-160013-0100	--	--	--	--	--	--	--	--	--	6	6	6	--	--	--	--	--	--
	24	1600130211	0.5MM BLADE - LONG	PLATED BRASS	N/A	N/A	E-160013-0200	14	14	--	14	--	--	--	--	--	14	--	--	--	--	--	--	--	--
PLATED 0.5MM BLADE TERMINAL	25	1600130212	0.5MM BLADE - MEDIUM	PLATED BRASS	N/A	N/A	E-160013-0200	14	14	--	14	--	--	--	--	14	--	--	--	--	--	--	--	--	
	26	1600130213	0.5MM BLADE - SHORT	PLATED BRASS	N/A	N/A	E-160013-0200	14	14	--	14	--	--	--	--	14	--	--	--	--	--	--	--	--	
	27	1600130214	0.5MM BLADE - LONG OPTION 2	PLATED BRASS	N/A	N/A	E-160013-0200	--	--	7	--	14	14	7	7	7	7	--	14	14	14	14	14	14	14
	28	1600130215	0.5MM BLADE - MEDIUM OPTION 2	PLATED BRASS	N/A	N/A	E-160013-0200	--	--	--	--	14	14	7	7	7	7	--	14	14	14	14	14	14	14
	29	1600130216	0.5MM BLADE - SHORT OPTION 2	PLATED BRASS	N/A	N/A	E-160013-0200	--	--	14	--	14	14	7	7	7	7	--	14	14	14	14	14	14	14
PACKAGING	30	N/A	TUBE PACK	N/A	N/A	N/A	PK-31302-235	1	1	1	--	1	1	1	1	1	1	--	1	1	1	--	--	--	
	31	N/A	TRAY PACK (STANDARD)-TRANSPARENT	N/A	N/A	N/A	1600139001	--	--	--	--	--	--	--	--	--	1	1	--	--	1	1	--	--	
	32	N/A	TRAY PACK (STANDARD)-BLACK	N/A	N/A	N/A	1600139001	--	--	--	1	--	--	--	--	--	1	--	--	--	--	--	--	--	
	33	N/A	TRAY PACK (BOSCH)	N/A	N/A	N/A	1600133841-PK	--	--	--	--	--	--	--	--	--	--	--	--	--	--	1	1	--	--

1600130641 (56WAY) - TUBE PACK
 1600130623 (56WAY) - TUBE PACK
 1600131624 (32WAY) - TUBE PACK
 1600133641 (56WAY) - TRAY PACK
 1600133841 (56WAY) - TUBE PACK
 1600133923 (56WAY) - TUBE PACK
 1600138801 (28WAY) - TUBE PACK
 1600138602 (28WAY) - TUBE PACK
 1600138603 (28WAY) - TUBE PACK
 1600138604 (28WAY) - TUBE PACK
 1600138604 (28WAY) - TRAY PACK
 1600132823 (56WAY) - TUBE PACK
 1600134623 (56WAY) - TRAY PACK
 1600134141 (56WAY) - TRAY PACK
 1600134641 (56WAY) - TUBE PACK
 1600133624 (56WAY) - TUBE PACK
 1600133724 (56WAY) - TUBE PACK
 1600133741 (56WAY) - TRAY PACK
 1600133841 (56WAY) - TRAY PACK
 1600133824 (56WAY) - TRAY PACK
 1600133941 (56WAY) - TRAY PACK

RELEASED
 RELEASED
 RELEASED
 RELEASED
 RELEASED
 RELEASED
 RELEASED
 RELEASED
 RELEASED
 RELEASED
 RELEASED
 RELEASED
 OK TO TOOL
 RELEASED
 RELEASED
 RELEASED
 RELEASED

STATUS

FUNCTIONAL SYMBOLS FA = 0	THIS DRAWING CONTAINS INFORMATION THAT IS PROPRIETARY TO MOLEX ELECTRONIC TECHNOLOGIES, LLC AND SHOULD NOT BE USED WITHOUT WRITTEN PERMISSION		CURRENT REV DESC: SEE REVISION SHEET	
DIMENSION UNITS mm	SCALE 1:1	PHASE: Design Production		
GENERAL TOLERANCES (UNLESS SPECIFIED)		CO NO: CO-000001199		
ANGULAR TOL ± 3.0°		DRWN: Kun Du 2022-08-25		
4 PLACES ±		CHK'D: Ringo Hu 2022-08-30		
3 PLACES ±		APPR: Mike Vanslambrouck 2022-09-19		
2 PLACES ± 0.130		INITIAL REVISION:		
1 PLACE ± 0.25		DRWN: RFC_PLMIMP		
0 PLACES ±		APPR:		
DRAFT WHERE APPLICABLE MUST REMAIN WITHIN DIMENSIONS		THIRD ANGLE PROJECTION	DRAWING D-SIZE	SERIES 160013
		DOCUMENT NUMBER SD-160013-0001	DOC TYPE PSD	DOC PART 001
		CUSTOMER GENERAL MARKET	REVISION A21	SHEET NUMBER 4 OF 4
INFOTAINMENT HDR ASSY STAK50H SYSTEM				
PRODUCT SALES DRAWING				