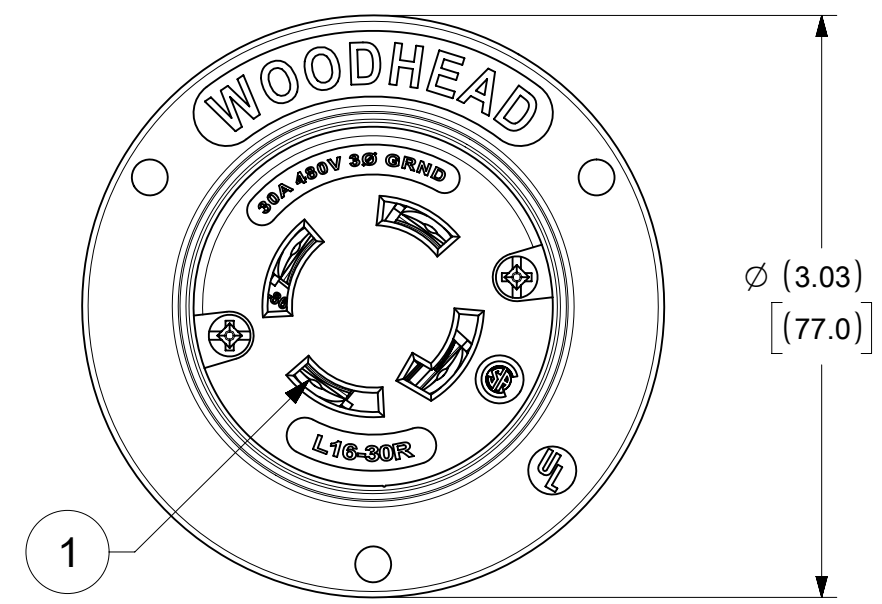
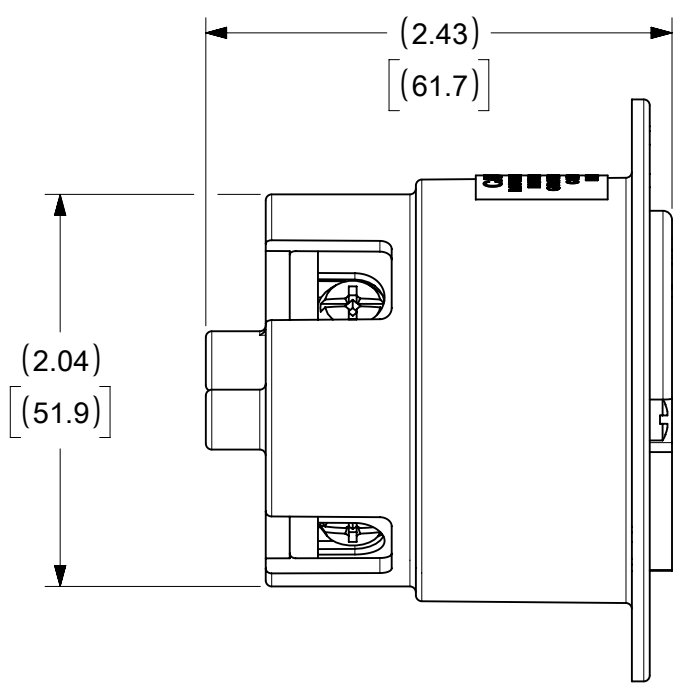
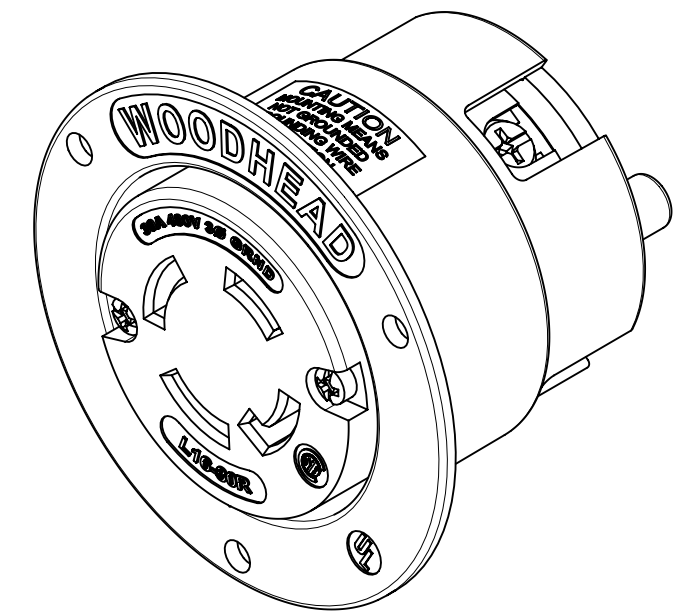
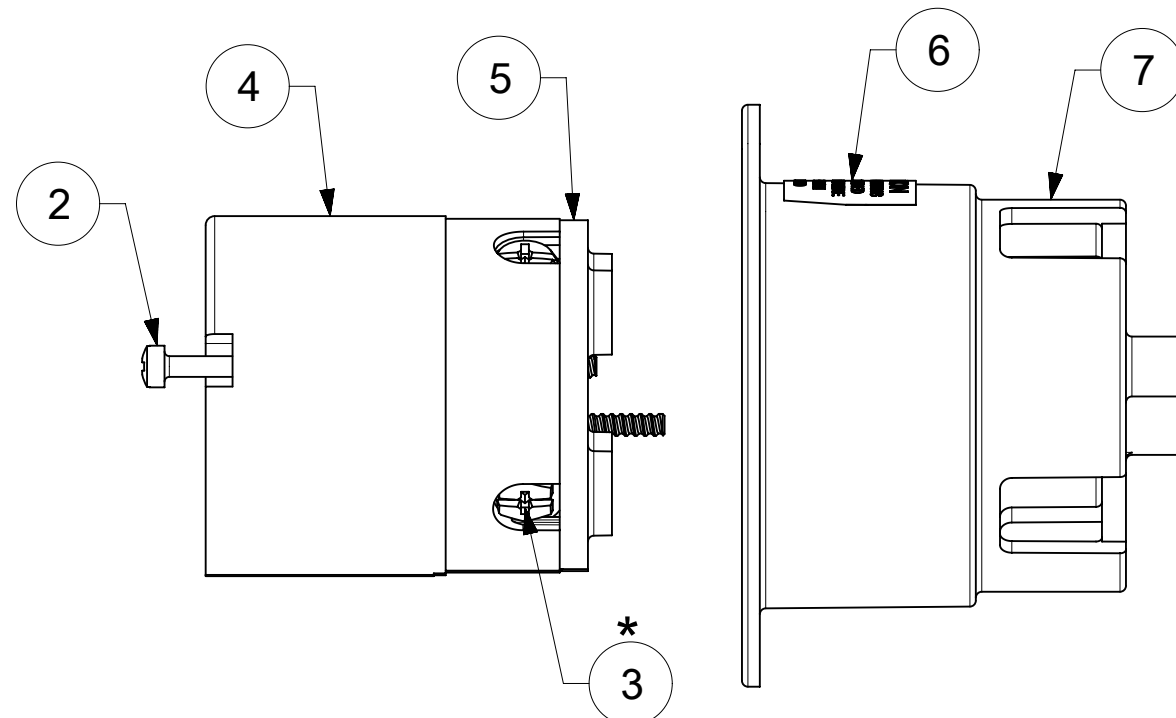
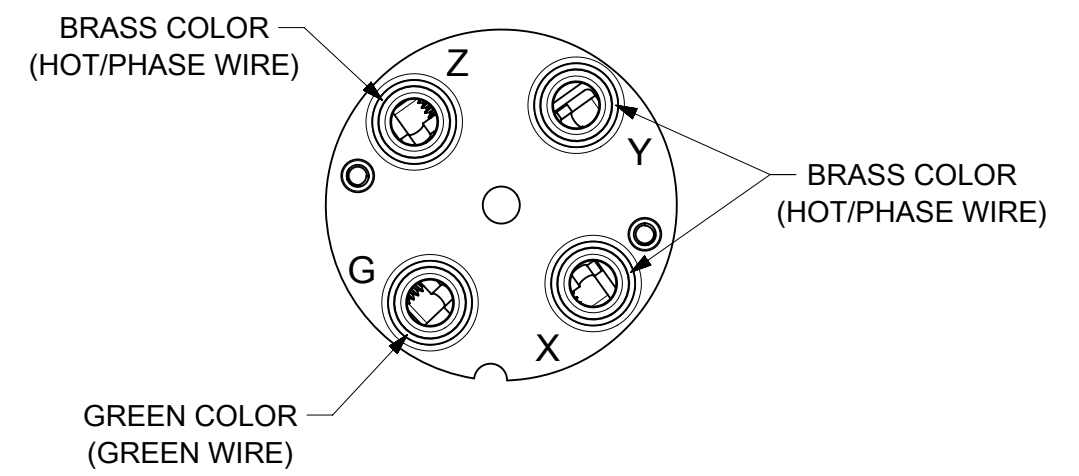


ORDER NO.	WOODHEAD NO.	COLOR
130149-0061	2976MB	WHITE



**WIRING TERMINATION**



\* FOR SCREW TORQUE, SEE ASSEMBLY INSTRUCTIONS

ITEM NO.	DESCRIPTION	MATERIAL	QTY.
1	CLIPS	BRASS, NICKEL PLATED	4
2	RETAINING SCREWS	STAINLESS STEEL	2
3	TERMINAL SCREWS/CLAMP ASSEMBLY	BRASS, ZINC PLATED	4
4	INSERT	NYLON	1
5	TERMINAL COVER	POLYCARBONATE	1
6	CAUTION LABEL	PLASTIC	1
7	FLANGED OUTLET HOUSING	NYLON	1

FUNCTIONAL SYMBOLS		THIS DRAWING CONTAINS INFORMATION THAT IS PROPRIETARY TO MOLEX ELECTRONIC TECHNOLOGIES, LLC AND SHOULD NOT BE USED WITHOUT WRITTEN PERMISSION		CURRENT REV DESC: MIGRATION TO ECTR/NX			
DIMENSION UNITS		SCALE					
INCH/MM		NTS		EC NO: 668448		FLANGED OUTLET NEMA L16-30 SIZE C	
GENERAL TOLERANCES (UNLESS SPECIFIED)				DRWN: VHANDI		2021/06/23	
4 PLACES ±				CHK'D: DNGUYEN62		2021/09/28	
3 PLACES ±		± 0.005		APPR: HKNEELAND		2023/12/08	
2 PLACES ±		± 0.01		INITIAL REVISION:		DOCUMENT NUMBER	
1 PLACE ±				DRWN: VHANDI		1301490061	
0 PLACES ±				APPR: HKNEELAND		PSD 000 A	
ANGULAR TOL ± 0.5°				THIRD ANGLE PROJECTION		MATERIAL NUMBER	
DRAFT WHERE APPLICABLE MUST REMAIN WITHIN DIMENSIONS				DRAWING		CUSTOMER	
				B-SIZE		GENERAL MARKET	
				SERIES		SHEET NUMBER	
				130149		1 OF 1	