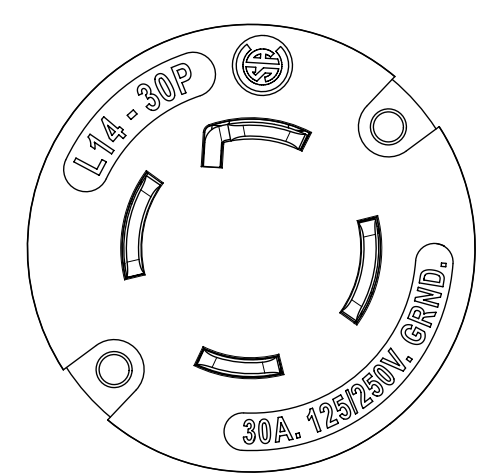
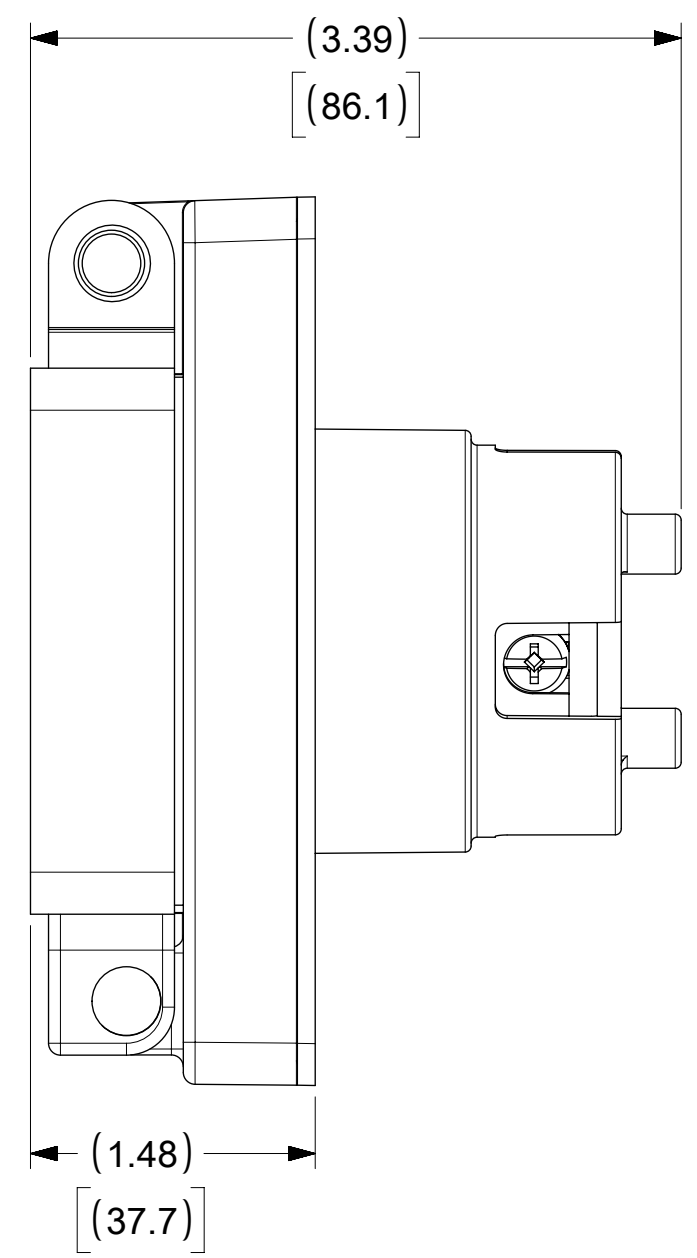
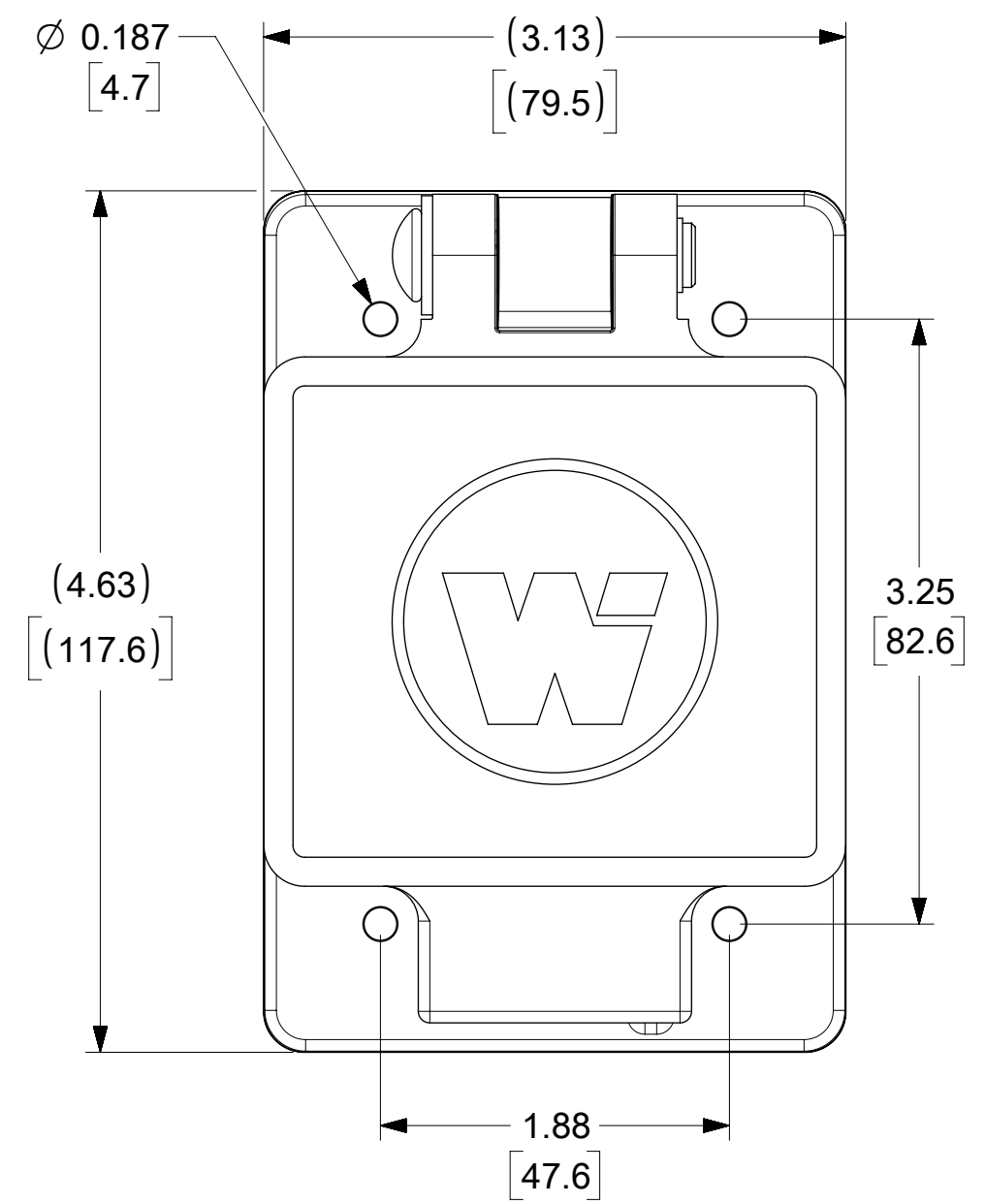
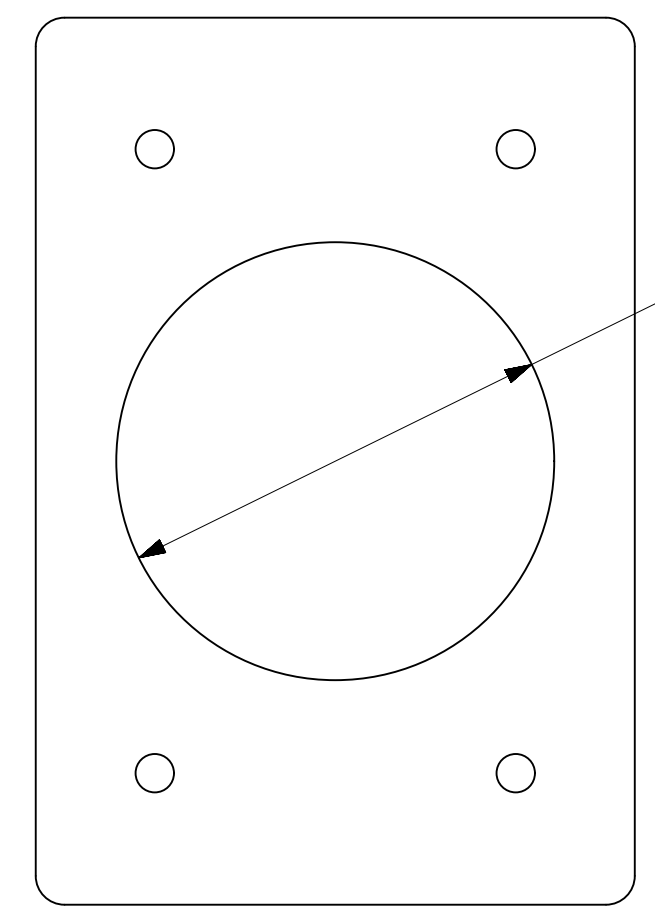


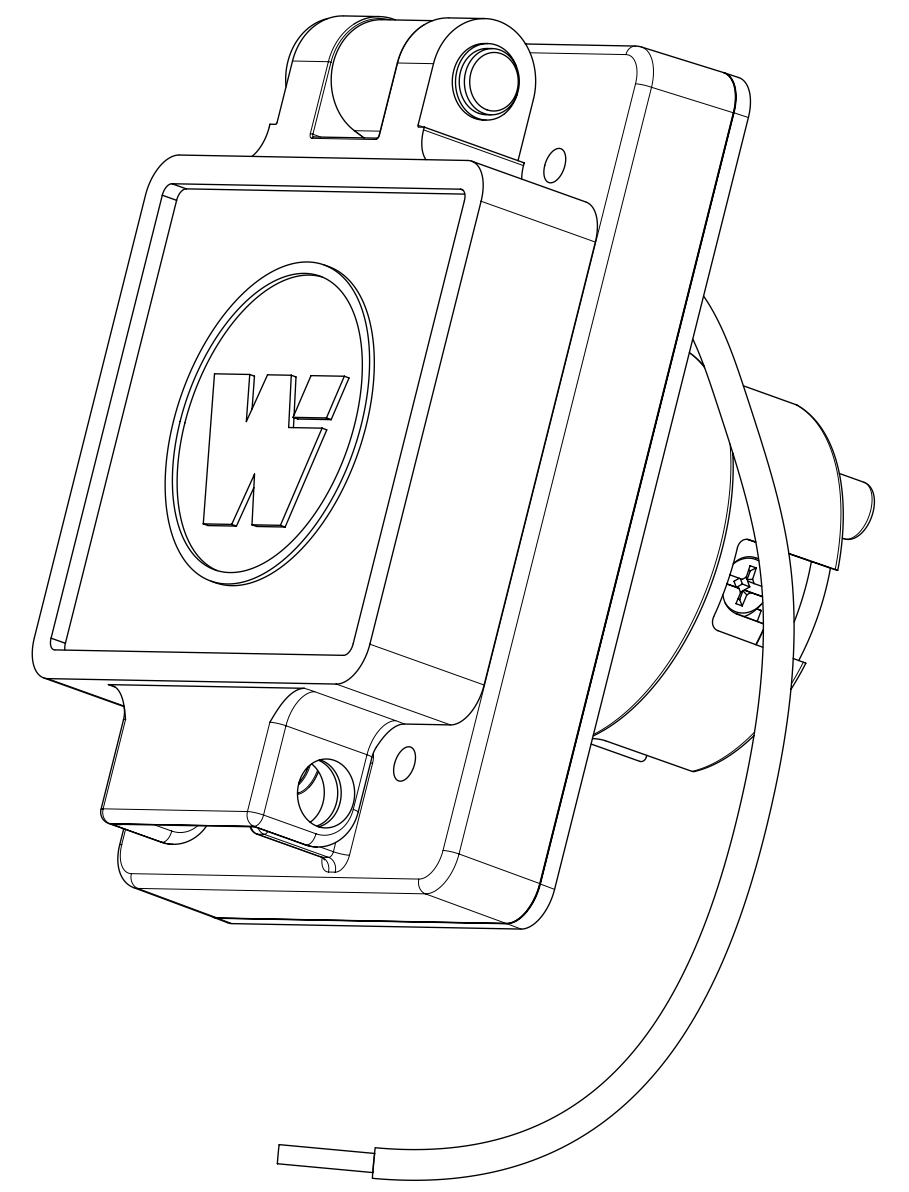
| | | |
|-------------|--------------|--------|
| ORDER NO. | WOODHEAD NO. | COLOR |
| 130147-0159 | 68W74 | YELLOW |



FACE VIEW



CLEARANCE HOLE (FOR PANEL MOUNT)



| DESCRPTION | MATERIAL | QTY. |
|--------------------------------|--|------|
| BLADES | BRASS, NICKEL PLATED | 3 |
| RETAINING SCREWS | STAINLESS STEEL | 3 |
| CLAMP AND TERMINAL SCREW ASSY. | BRASS, ZINC PLATED | 3 |
| MALE INSERT | NYLON | 1 |
| TERMINAL COVER | POLYCARBONATE | 1 |
| COVER ASSEMBLY | POLYCARBONATE, STAINLESS STEEL, ALUMINUM | 1 |
| GASKET FLIP | NEOPRENE | 1 |
| MOTOR BASE MTG ASSY | POLYCARBONATE, STAINLESS STEEL, BRASS | 1 |
| SCREW (GROUND WIRE) | STAINLESS STEEL | 1 |
| JUMPER WIRE ASSY | COPPER, BRASS (TINNED FINISH) | 1 |

| | | | | | | | | | |
|---|--|-----------------|-----|-------|--|--|--|--|--|
| THIS DRAWING CONTAINS INFORMATION THAT IS PROPRIETARY TO MOLEX ELECTRONIC TECHNOLOGIES, LLC AND SHOULD NOT BE USED WITHOUT WRITTEN PERMISSION | | | | | | | | | |
| SYMBOLS | | DIMENSION UNITS | | SCALE | | CURRENT REV DESC: MIGRATE TO ECTR/NX | | | |
| ▽ = 0 | INCH | [MM] | NTS | | | molex WATERTITE MOTOR BASE COVERPLATE 3P4W L14-30 PRODUCT CUSTOMER DRAWING | | | |
| ▽ = 0 | GENERAL TOLERANCES (UNLESS SPECIFIED) | | | | EC NO: 613925 DRWN: SRPATIL 2018/12/26 CHK'D: DNGUYEN62 2019/03/19 APPR: HKNEELAND 2019/04/02 | | | | |
| ▽ = 0 | 4 PLACES | ± | MM | ± | INCH | INITIAL REVISION: DRWN: SRPATIL 2018/12/26 APPR: HKNEELAND 2019/04/02 | | | |
| ▽ = 0 | 3 PLACES | ± | | | DOCUMENT NUMBER: 1301470159 DOC TYPE: PSD DOC PART: 000 REVISION: A | | | | |
| ▽ = 0 | 2 PLACES | ± | | | MATERIAL NUMBER: SEE TABLE CUSTOMER: GENERAL MARKET SHEET NUMBER: 1 OF 1 | | | | |
| ▽ = 0 | 1 PLACE | ± | | | THIRD ANGLE PROJECTION DRAWING: C-SIZE SERIES: 130147 | | | | |
| ▽ = 0 | 0 PLACES | ± | | | | | | | |
| ▽ = 0 | ANGULAR TOL | ± ° | | | | | | | |
| ▽ = 0 | DRAFT WHERE APPLICABLE MUST REMAIN WITHIN DIMENSIONS | | | | | | | | |