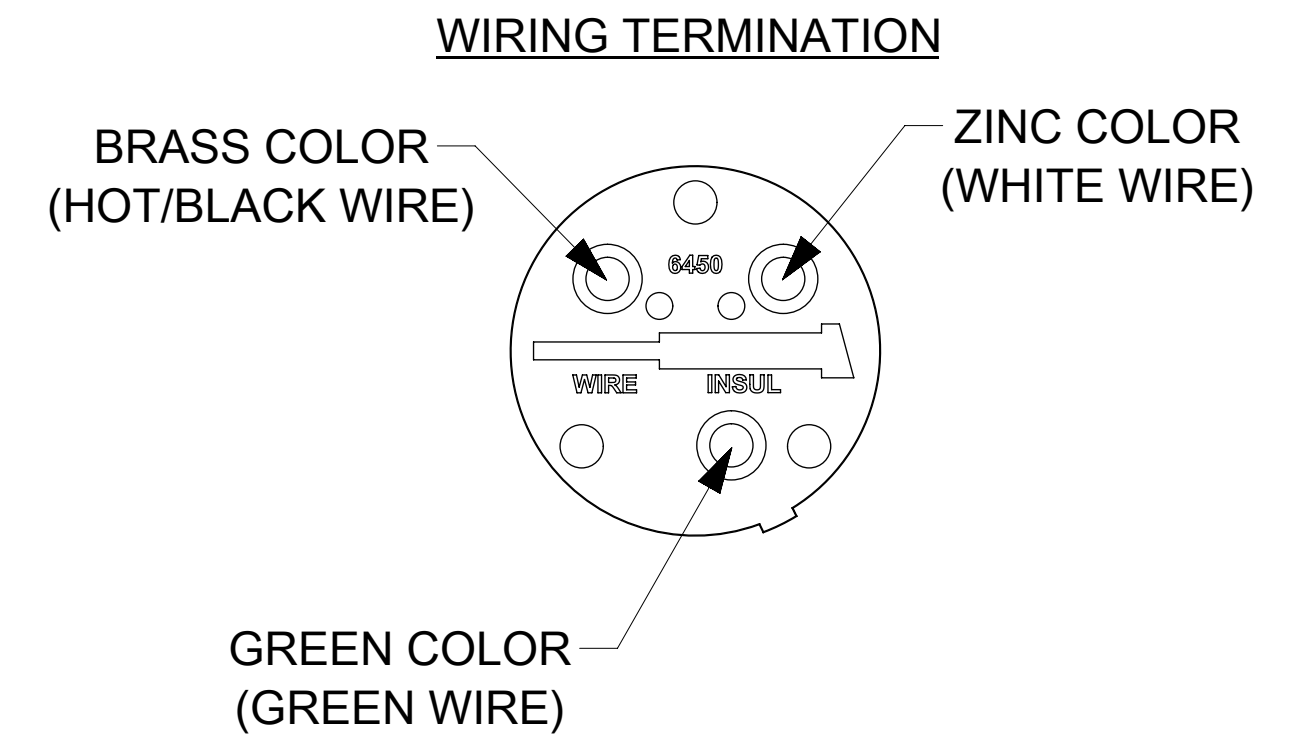
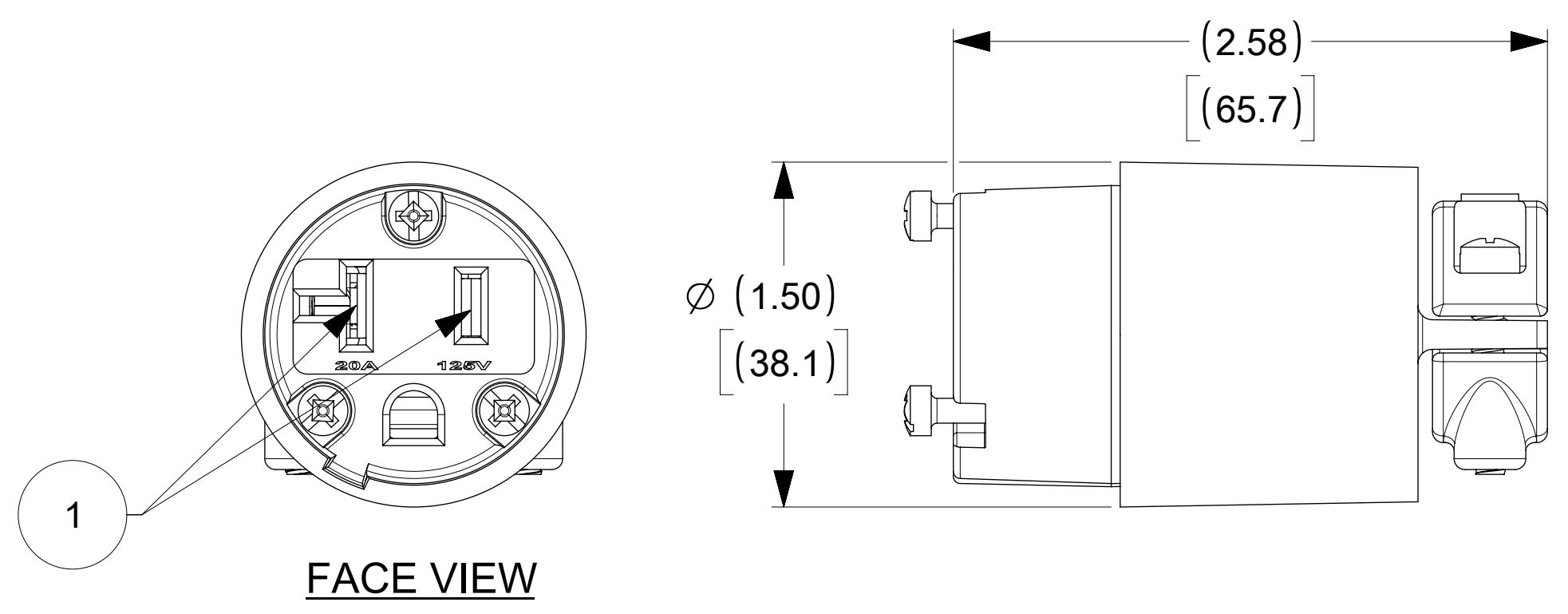
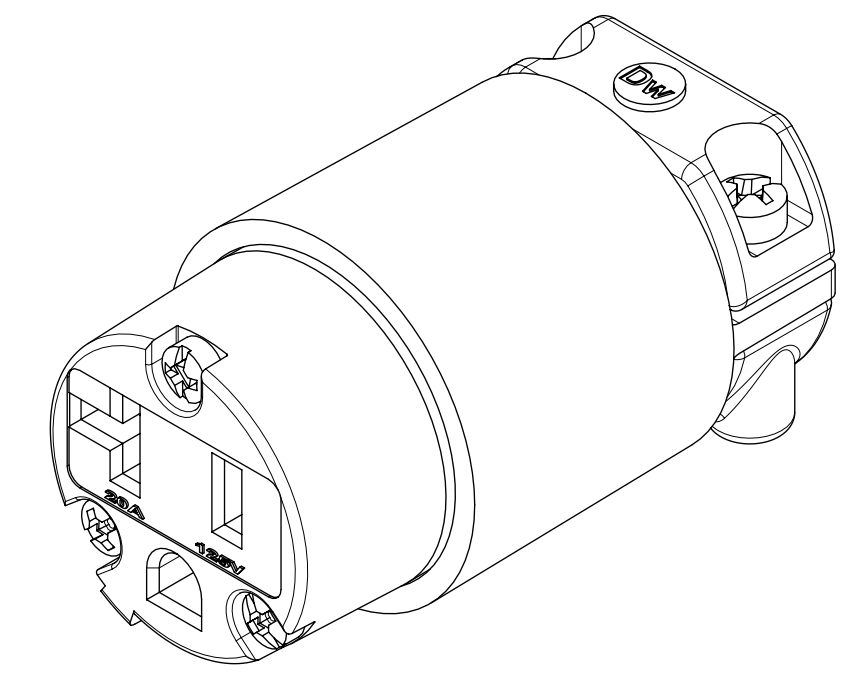
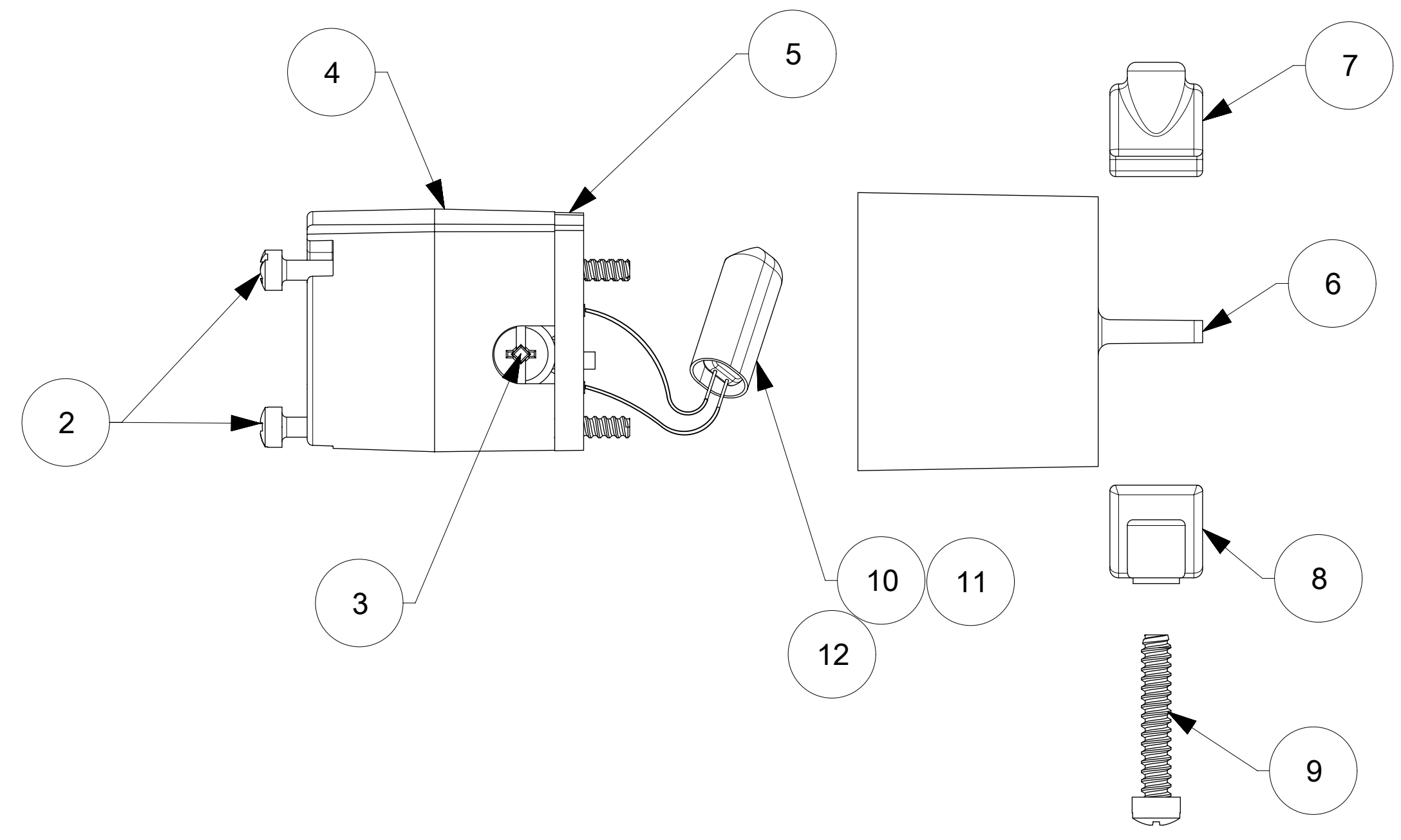


ORDER NO.	WOODHEAD NO.	COLOR
130144-0058	5369L	TRANSPARENT



ITEM NO.	DESCRIPTIONS	MATERIAL	QTY.
1	BLADES	BRASS, NICKEL PLATED	3
2	RETAINING SCREWS	STAINLESS STEEL	3
3	TERMINAL SCREWS/CLAMP ASSEMBLY	BRASS, ZINC PLATED	3
4	INSERT	NYLON	1
5	TERMINAL COVER	POLYCARBONATE	1
6	HOUSING	NYLON	1
7	CLAMP CORD	NYLON	1
8	CLAMP CORD HALF	NYLON	1
9	RETAINING SCREWS	STAINLESS STEEL	2
10	LAMP BULB NEON	GLASS	1
11	LAMP CHAMBER	NYLON	1
12	HEAT SHRINK	PVC PLASTIC	2

SYMBOLS DIMENSION UNITS: INCH[MM] SCALE: NTS CURRENT REV DESC: NEW RELEASE	GENERAL TOLERANCES (UNLESS SPECIFIED) 4 PLACES ± ± 3 PLACES ± ± 2 PLACES ± ± 1 PLACE ± ± 0 PLACES ± ±		EC NO: 621204 DRWN: VBASUTHKARP 2019/04/10 CHK'D: DNGUYEN62 2019/11/12 APPR: HKNEELAND 2020/06/01			
	DRAFT WHERE APPLICABLE MUST REMAIN WITHIN DIMENSIONS					
DOCUMENT NUMBER: 1301440058			DOC TYPE: PSD		DOC PART: 000	REVISION: A
MATERIAL NUMBER: SEE TABLE			CUSTOMER: GENERAL MARKET		SHEET NUMBER: 1 OF 1	