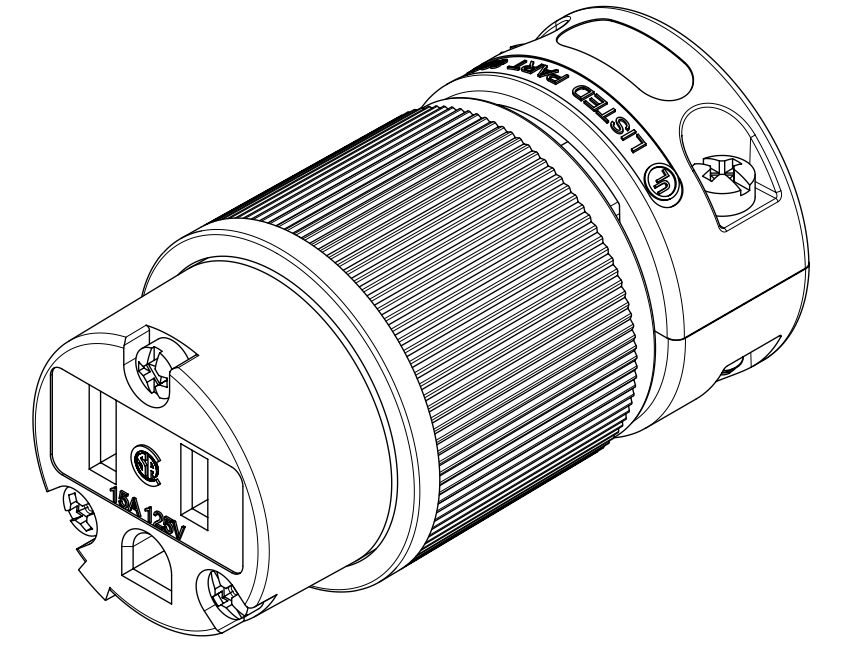
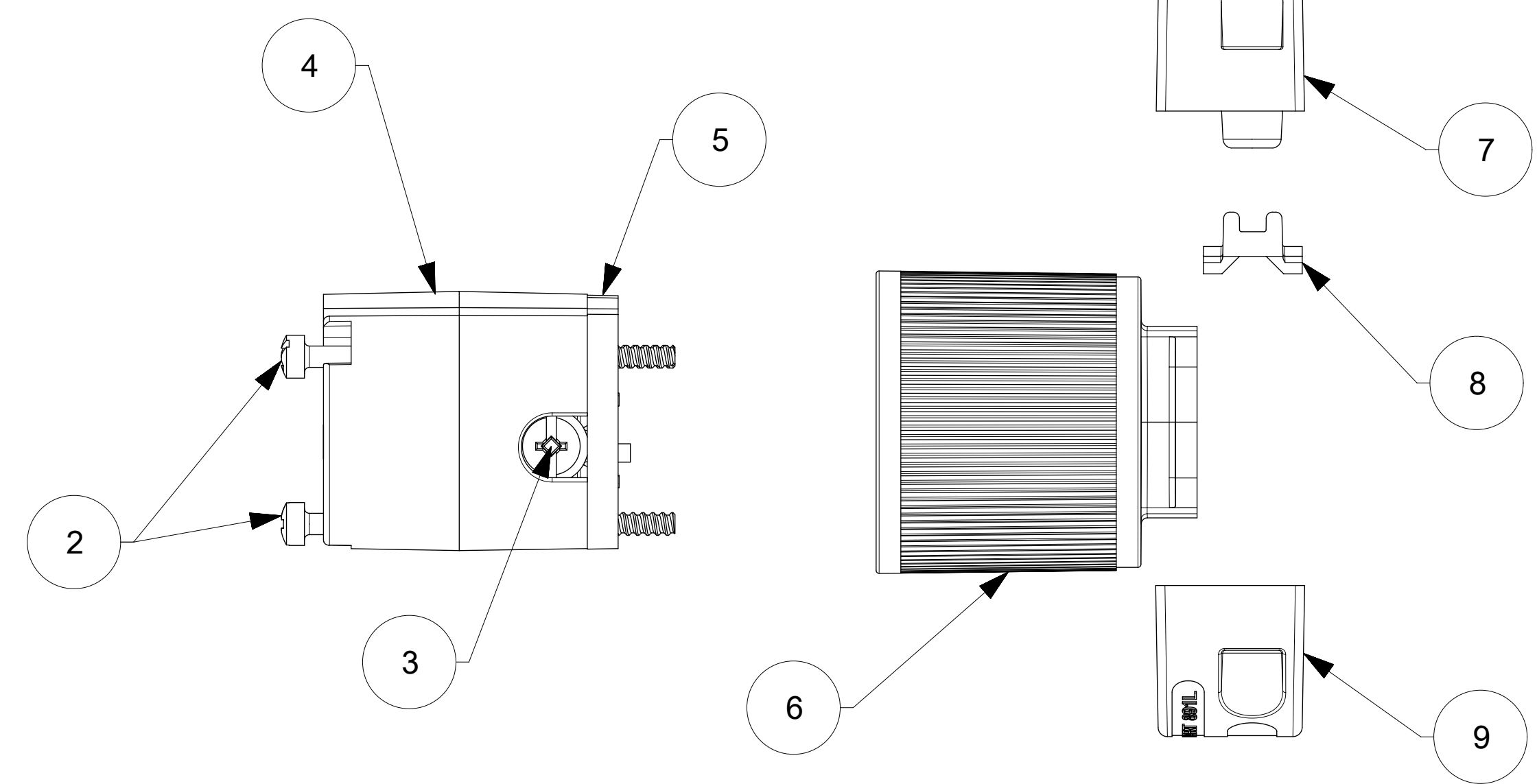
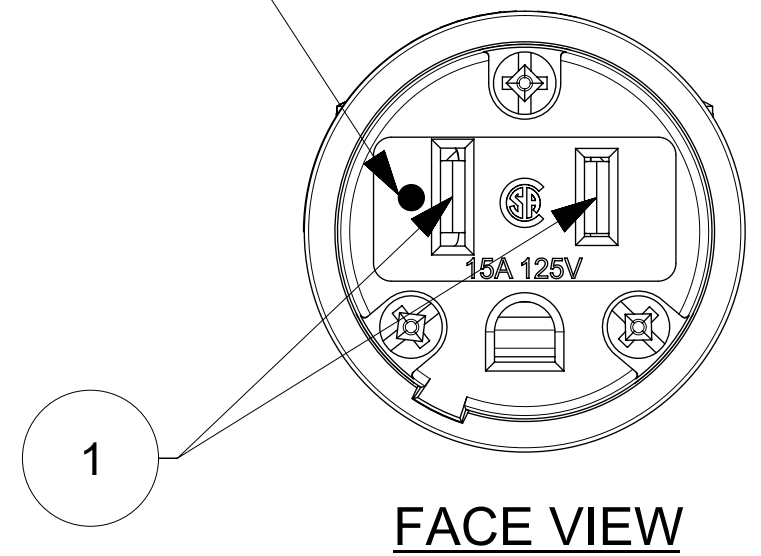


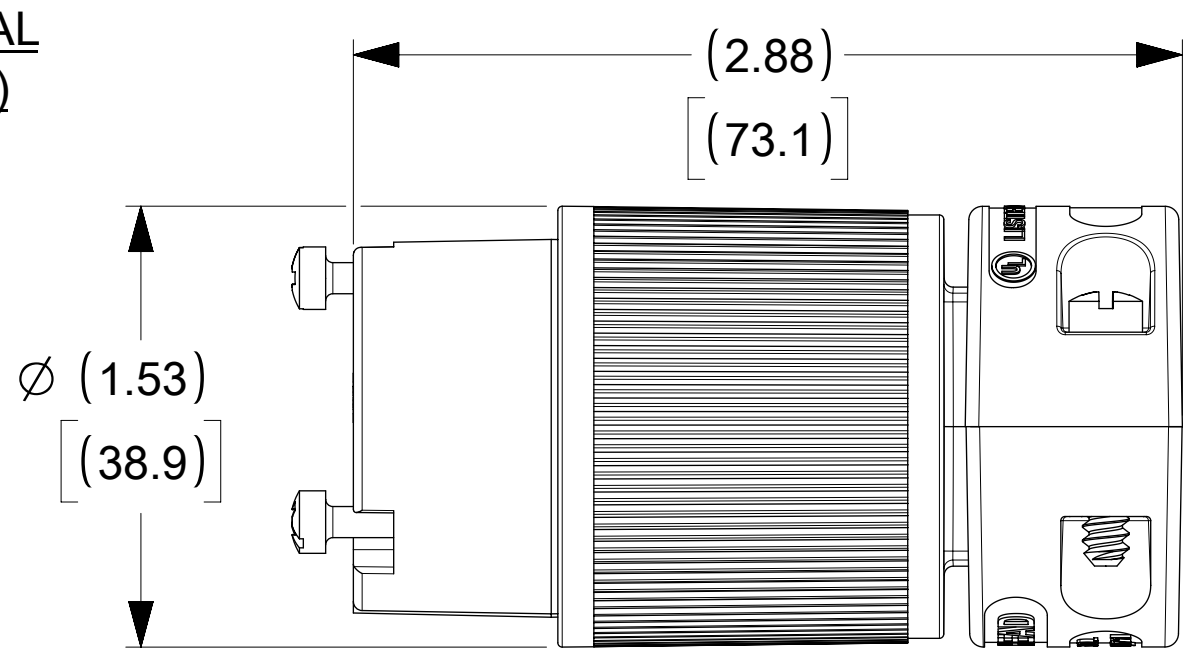
ORDER NO.	WOODHEAD NO.	COLOR	GRADE
130144-0044	5269	BLACK	STANDARD
130144-0047	5269GRN	GREEN	STANDARD
130144-0050	5269YL	YELLOW	STANDARD
130144-0080	85269	BLACK	HOSPITAL
130144-0081	85269YL	YELLOW	HOSPITAL



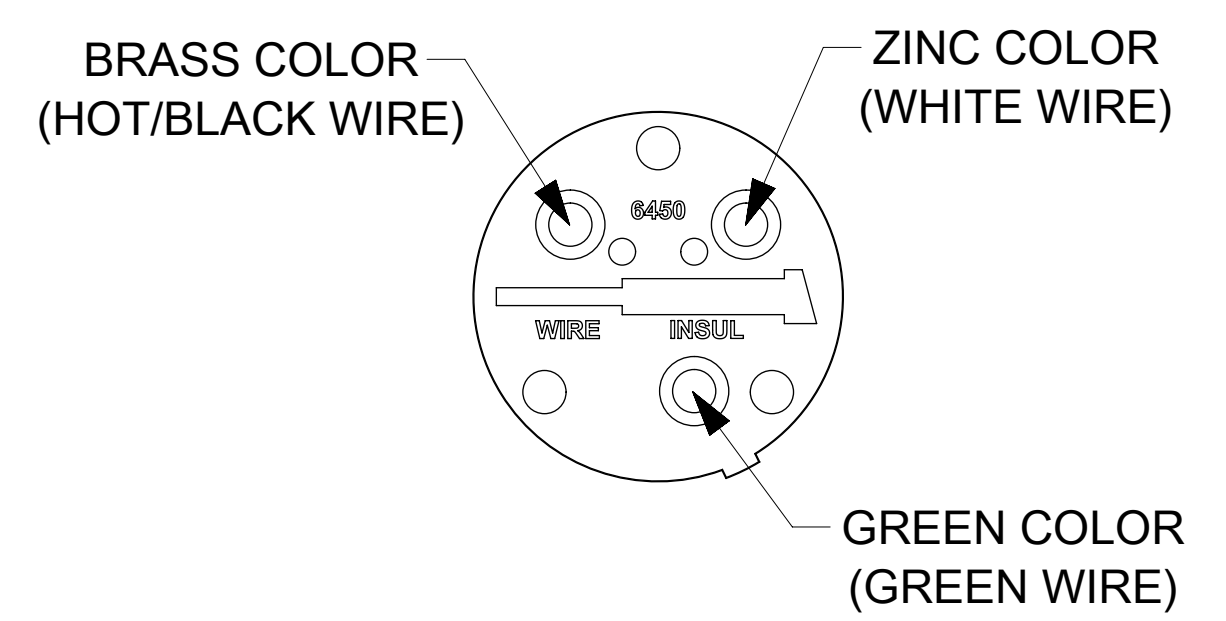
GREEN DOT FOR HOSPITAL GRADE ONLY (85269XXX)



FACE VIEW



WIRING TERMINATION



ITEM NO.	DESCRIPTIONS	MATERIAL	QTY.
1	BLADES	BRASS	3
2	RETAINING SCREWS	STAINLESS STEEL	3
3	TERMINAL SCREWS/CLAMP ASSEMBLY	BRASS, ZINC PLATED	3
4	INSERT	NYLON	1
5	TERMINAL COVER	POLYCARBONATE	1
6	HOUSING	NYLON	1
7	CLAMP CORD MALE	NYLON	1
8	CLAMP CORD INSERT	NYLON	1
9	CLAMP CORD FEMALE	NYLON	1
10	RETAINING SCREWS	STEEL, ZINC PLATED	2

SYMBOLS DIMENSION UNITS: INCH[MM] SCALE: NTS GENERAL TOLERANCES (UNLESS SPECIFIED): 4 PLACES ± 3 PLACES ± 2 PLACES ± 1 PLACE ± 0 PLACES ± ANGULAR TOL ± ° DRAFT WHERE APPLICABLE MUST REMAIN WITHIN DIMENSIONS		THIS DRAWING CONTAINS INFORMATION THAT IS PROPRIETARY TO MOLEX ELECTRONIC TECHNOLOGIES, LLC AND SHOULD NOT BE USED WITHOUT WRITTEN PERMISSION CURRENT REV DESC: NEW RELEASE EC NO: 613441 DRWN: VBASUTHKARP 2019/02/05 CHK'D: DNGUYEN62 2019/10/30 APPR: HKNEELAND 2020/01/25 INITIAL REVISION: DRWN: VBASUTHKARP 2019/02/05 APPR: HKNEELAND 2020/01/25 THIRD ANGLE PROJECTION DRAWING SERIES: C-SIZE 130144		 SAFEWAY CONNECTOR 2P3W 5-15 PRODUCT CUSTOMER DRAWING DOCUMENT NUMBER: 1301440044 DOC TYPE: PSD DOC PART: 000 REVISION: A MATERIAL NUMBER: SEE TABLE CUSTOMER: GENERAL MARKET SHEET NUMBER: 1 OF 1	
---	--	--	--	---	--