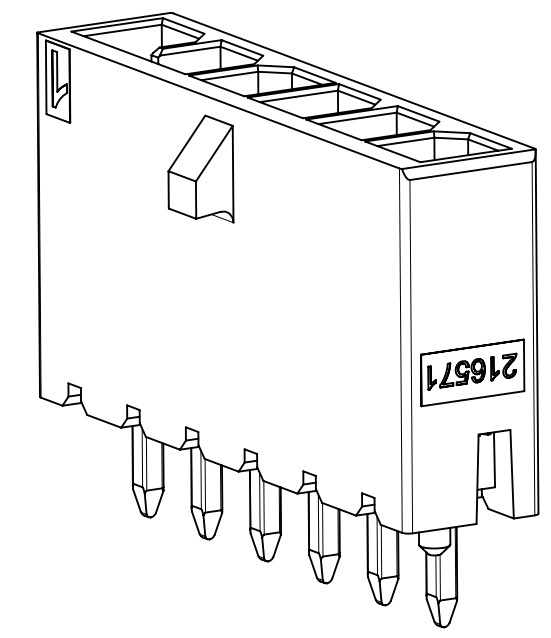
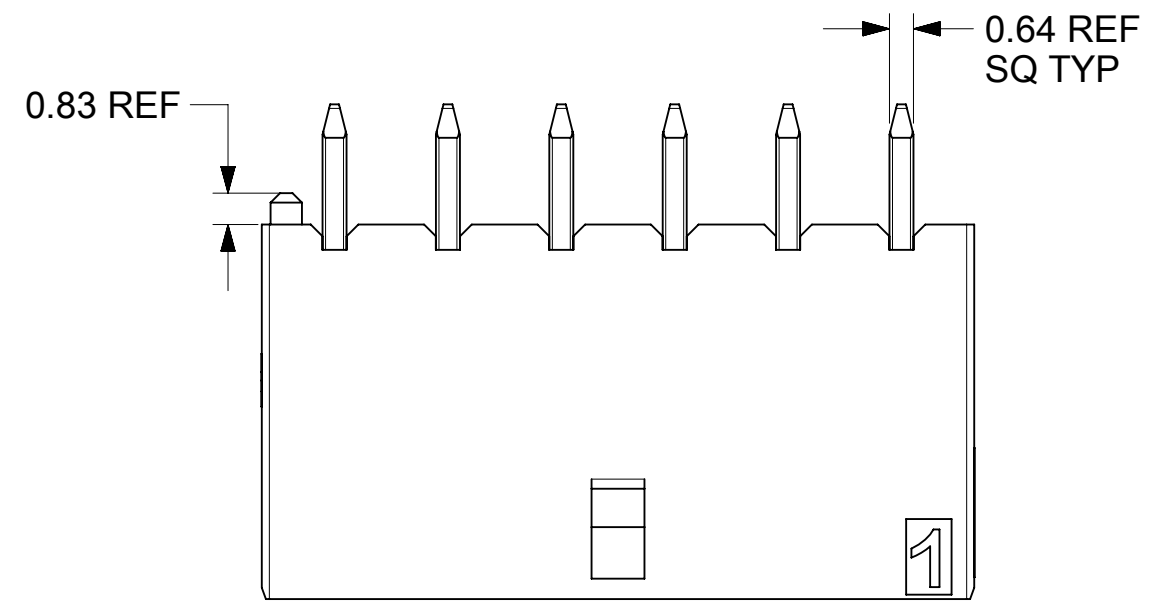


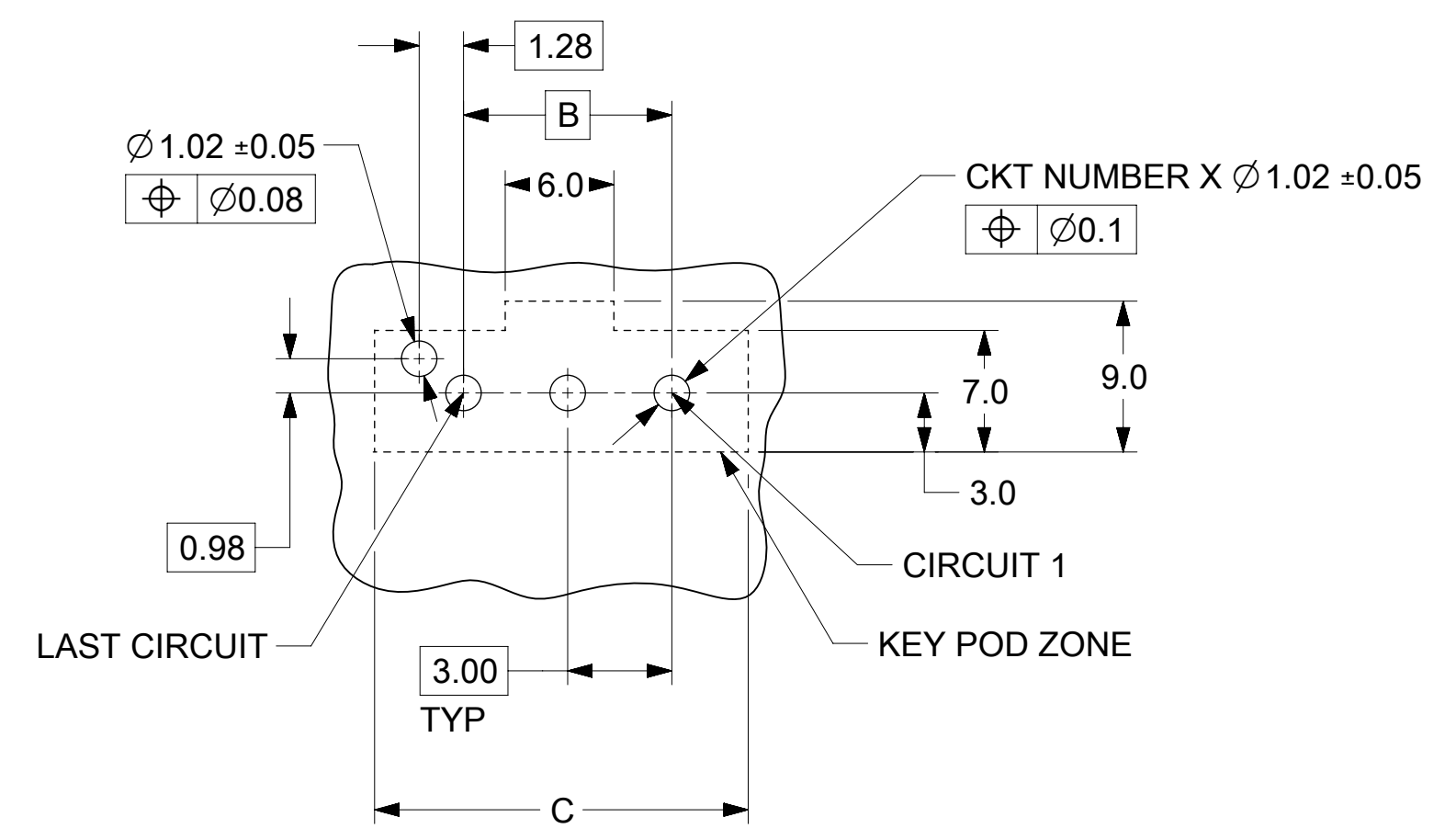
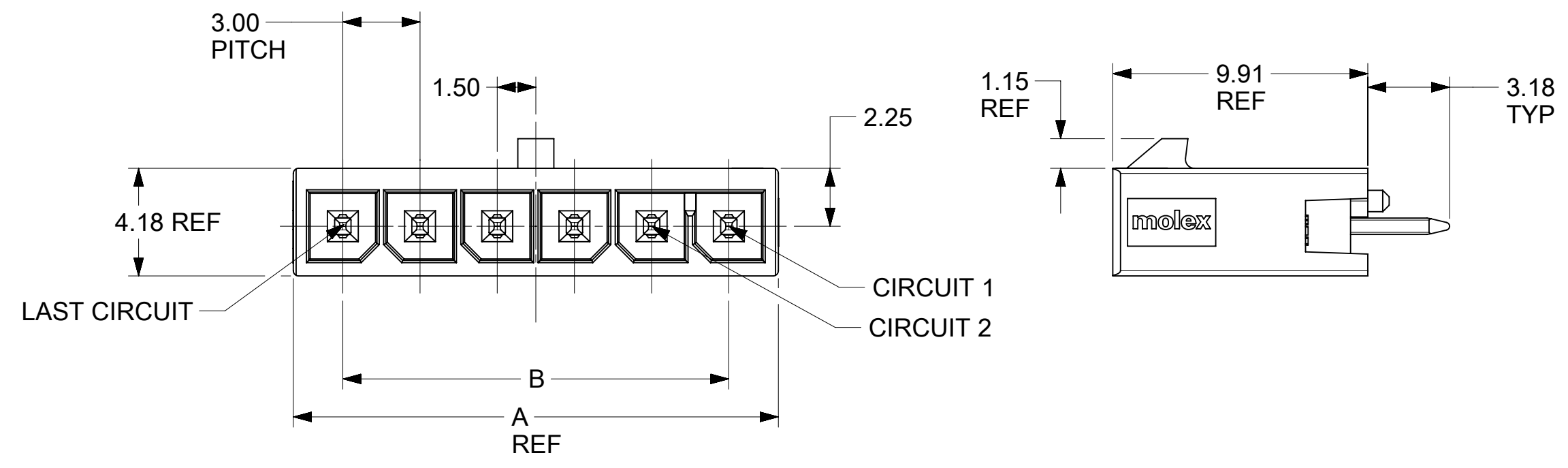
CIRCUIT	A	B	C
2	6.85	3.00	9.00
3	9.85	6.00	12.00
4	12.85	9.00	15.00
5	15.85	12.00	18.00
6	18.85	15.00	21.00
7	21.85	18.00	24.00
8	24.85	21.00	27.00



### LEGEND

216571 - X 0 X X

- SERIES NO. [points to '216571']
- PLATING OPTION [points to 'X']
  - 1 :TIN
  - 2: 15MICROINCH AU
  - 3. 30MICROINCH AU
- POLARISATION/COLOR [points to '0']
- CKT NO 2-8 [points to 'X X']



RECOMENDED PCB THICKNESS: .062/1.57 Max.

### NOTES:

- HOSING MATERIAL: GLASS FILLED LIQUID CRYSTAL POLYMER, UL 94V-0,GLOW WIRE, COLOR : SEE TABLE  
TERMINAL MATERIAL: HIGH COPPER ALLOY
- FINISH:  
OPTION 1: TIN OVER NICKEL OVERALL  
OPTION 2: SELECT 15MICROINCH GOLD AND SELECT MATTE TIN OVER NICKEL.  
OPTION 3: SELECT 30MICROINCH GOLD AND SELECT MATTE TIN OVER NICKEL.
- PRODUCT SPECIFICATION : 2064600000-PS
- TRAY PACK : 2165710002-PK
- PRODUCT TEST SUMMARY: 2157590005-TS
- MATE WITH RECEPTACLE 215759
- THIS PART CONFORMS TO CLASS 'B' REQUIREMENTS OF COSMETIC SPECIFICATION PS-45499-002.

FUNCTIONAL SYMBOLS	THIS DRAWING CONTAINS INFORMATION THAT IS PROPRIETARY TO MOLEX ELECTRONIC TECHNOLOGIES, LLC AND SHOULD NOT BE USED WITHOUT WRITTEN PERMISSION		CURRENT REV DESC:		<b>molex</b>
	DIMENSION UNITS	SCALE			
$\nabla_A = 0$	mm	5:1			MICRO-FIT PLUS VER HEADER ASSEMBLY
$\nabla_C = 0$	GENERAL TOLERANCES (UNLESS SPECIFIED)				
$\nabla_P = 0$	ANGULAR TOL ± °				PRODUCT CUSTOMER DRAWING
DIVISIONAL SYMBOLS	4 PLACES ±		EC NO: 773727		
	3 PLACES ±		DRWN: VENKAS5 2024/01/10		
	2 PLACES ± 0.25		CHK'D: MRAMAKRISHNA 2024/01/10		
	1 PLACE ± 0.36		APPR: MRAMAKRISHNA 2024/01/10		
	0 PLACES ±		INITIAL REVISION:		
	DRAFT WHERE APPLICABLE MUST REMAIN WITHIN DIMENSIONS		DRWN: HPAN18 2020/10/15		DOCUMENT NUMBER <b>2165710003-SD</b>
	THIRD ANGLE PROJECTION		APPR: YXZHENG 2021/02/08		
	DRAWING		SERIES		DOC TYPE PSD
	C-SIZE		216571		
	MATERIAL NUMBER		CUSTOMER		DOC PART 000
	SEE NOTES		GENERAL MARKET		
	SHEET NUMBER		1 OF 3		REVISION <b>A3</b>

TIN PLATING				15 MICROINCH GOLD				30 MICROINCH GOLD				
CIRCUIT	PART NUMBER	POLARIZATION	COLOR	CIRCUIT	PART NUMBER	POLARIZATION	COLOR	CIRCUIT	PART NUMBER	POLARIZATION	COLOR	
H	2	2165711002	A	BLACK	2	2165712002	A	BLACK	2	2165713002	A	BLACK
		2165711012	B	NATURAL		2165712012	B	NATURAL		2165713012	B	NATURAL
		2165711022	C	RED		2165712022	C	RED		2165713022	C	RED
		2165711032	D	BLUE		2165712032	D	BLUE		2165713032	D	BLUE
		2165711042	E	YELLOW		2165712042	E	YELLOW		2165713042	E	YELLOW
G	3	2165711003	A	BLACK	3	2165712003	A	BLACK	3	2165713003	A	BLACK
		2165711013	B	NATURAL		2165712013	B	NATURAL		2165713013	B	NATURAL
		2165711023	C	RED		2165712023	C	RED		2165713023	C	RED
		2165711033	D	BLUE		2165712033	D	BLUE		2165713033	D	BLUE
		2165711043	E	YELLOW		2165712043	E	YELLOW		2165713043	E	YELLOW
G	4	2165711004	A	BLACK	4	2165712004	A	BLACK	4	2165713004	A	BLACK
		2165711014	B	NATURAL		2165712014	B	NATURAL		2165713014	B	NATURAL
		2165711024	C	RED		2165712024	C	RED		2165713024	C	RED
		2165711034	D	BLUE		2165712034	D	BLUE		2165713034	D	BLUE
		2165711044	E	YELLOW		2165712044	E	YELLOW		2165713044	E	YELLOW
F	5	2165711005	A	BLACK	5	2165712005	A	BLACK	5	2165713005	A	BLACK
		2165711015	B	NATURAL		2165712015	B	NATURAL		2165713015	B	NATURAL
		2165711025	C	RED		2165712025	C	RED		2165713025	C	RED
		2165711035	D	BLUE		2165712035	D	BLUE		2165713035	D	BLUE
		2165711045	E	YELLOW		2165712045	E	YELLOW		2165713045	E	YELLOW
E	6	2165711006	A	BLACK	6	2165712006	A	BLACK	6	2165713006	A	BLACK
		2165711016	B	NATURAL		2165712016	B	NATURAL		2165713016	B	NATURAL
		2165711026	C	RED		2165712026	C	RED		2165713026	C	RED
		2165711036	D	BLUE		2165712036	D	BLUE		2165713036	D	BLUE
		2165711046	E	YELLOW		2165712046	E	YELLOW		2165713046	E	YELLOW
E	7	2165711007	A	BLACK	7	2165712007	A	BLACK	7	2165713007	A	BLACK
		2165711017	B	NATURAL		2165712017	B	NATURAL		2165713017	B	NATURAL
		2165711027	C	RED		2165712027	C	RED		2165713027	C	RED
		2165711037	D	BLUE		2165712037	D	BLUE		2165713037	D	BLUE
		2165711047	E	YELLOW		2165712047	E	YELLOW		2165713047	E	YELLOW
D	8	2165711008	A	BLACK	8	2165712008	A	BLACK	8	2165713008	A	BLACK
		2165711018	B	NATURAL		2165712018	B	NATURAL		2165713018	B	NATURAL
		2165711028	C	RED		2165712028	C	RED		2165713028	C	RED
		2165711038	D	BLUE		2165712038	D	BLUE		2165713038	D	BLUE
		2165711048	E	YELLOW		2165712048	E	YELLOW		2165713048	E	YELLOW

FUNCTIONAL SYMBOLS	THIS DRAWING CONTAINS INFORMATION THAT IS PROPRIETARY TO MOLEX ELECTRONIC TECHNOLOGIES, LLC AND SHOULD NOT BE USED WITHOUT WRITTEN PERMISSION		
	DIMENSION UNITS	SCALE	CURRENT REV DESC:
$\frac{F}{A} = 0$	mm	1:1	<p>EC NO: 773727</p> <p>DRWN: VENKAS5 2024/01/10</p> <p>CHK'D: MRAMAKRISHNA 2024/01/10</p> <p>APPR: MRAMAKRISHNA 2024/01/10</p> <p>INITIAL REVISION:</p> <p>DRWN: HPAN18 2020/10/15</p> <p>APPR: YXZHENG 2021/02/08</p>
$\frac{F}{C} = 0$	GENERAL TOLERANCES (UNLESS SPECIFIED)		
$\frac{F}{P} = 0$	ANGULAR TOL ± °		
DIVISIONAL SYMBOLS	4 PLACES	±	
	3 PLACES	±	
	2 PLACES	± 0.15	
	1 PLACE	± 0.15	
	0 PLACES	±	
DRAFT WHERE APPLICABLE MUST REMAIN WITHIN DIMENSIONS		THIRD ANGLE PROJECTION	DRAWING C-SIZE
		SERIES 216571	DOCUMENT NUMBER 2165710003-SD
		MATERIAL NUMBER	CUSTOMER GENERAL MARKET
		SHEET NUMBER 2 OF 3	DOC TYPE PSD
		DOC PART 000	REVISION A3

	12	11	10	9	8	7	6	5	4	3	2	1
CKT	POLARIZATION "A"- BLACK		POLARIZATION "B"- NATURAL		POLARIZATION "C" - RED		POLARIZATION "D" - BLUE		POLARIZATION "E" - YELLOW			
H	2											
G	3											
	4											
F	5											
	6											
E	7											
D	8											

PRE-RELEASE  
 REFERENCE  
 USE ONLY

THIS DRAWING CONTAINS INFORMATION THAT IS PROPRIETARY TO MOLEX ELECTRONIC TECHNOLOGIES, LLC AND SHOULD NOT BE USED WITHOUT WRITTEN PERMISSION									
FUNCTIONAL SYMBOLS	DIMENSION UNITS	SCALE	CURRENT REV DESC:						
	mm	1:1	EC NO: 773727 DRWN: VENKAS5 2024/01/10 CHK'D: MRAMAKRISHNA 2024/01/10 APPR: MRAMAKRISHNA 2024/01/10 INITIAL REVISION: DRWN: HPAN18 2020/10/15 APPR: YXZHENG 2021/02/08						
	GENERAL TOLERANCES (UNLESS SPECIFIED)								
	ANGULAR TOL ± °								
	4 PLACES ±								
DIVISIONAL SYMBOLS			PRODUCT CUSTOMER DRAWING						
			DOCUMENT NUMBER		DOC TYPE		DOC PART		REVISION
			2165710003-SD		PSD		000		A3
DRAFT WHERE APPLICABLE MUST REMAIN WITHIN DIMENSIONS			THIRD ANGLE PROJECTION		DRAWING		SERIES		MATERIAL NUMBER
					C-SIZE		216571		GENERAL MARKET
DOCUMENT STATUS			RELEASE DATE		CUSTOMER		SHEET NUMBER		
					GENERAL MARKET		3 OF 3		