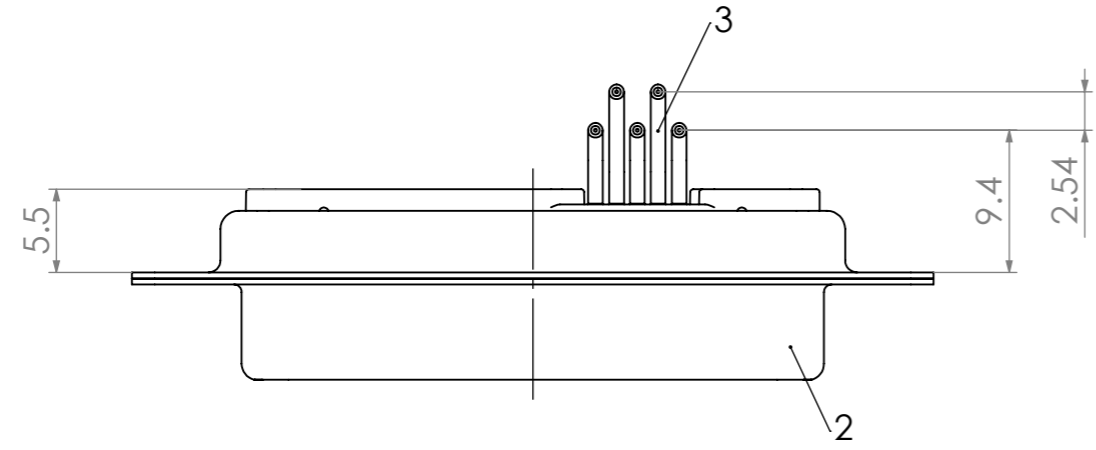
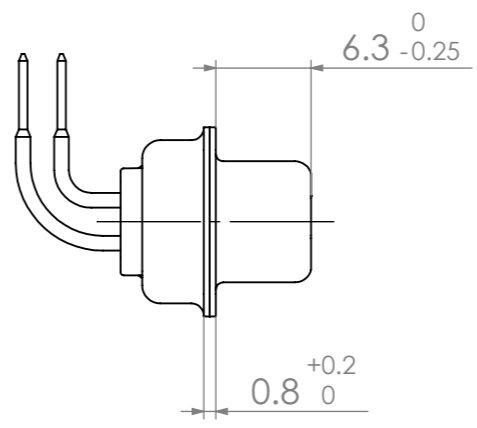
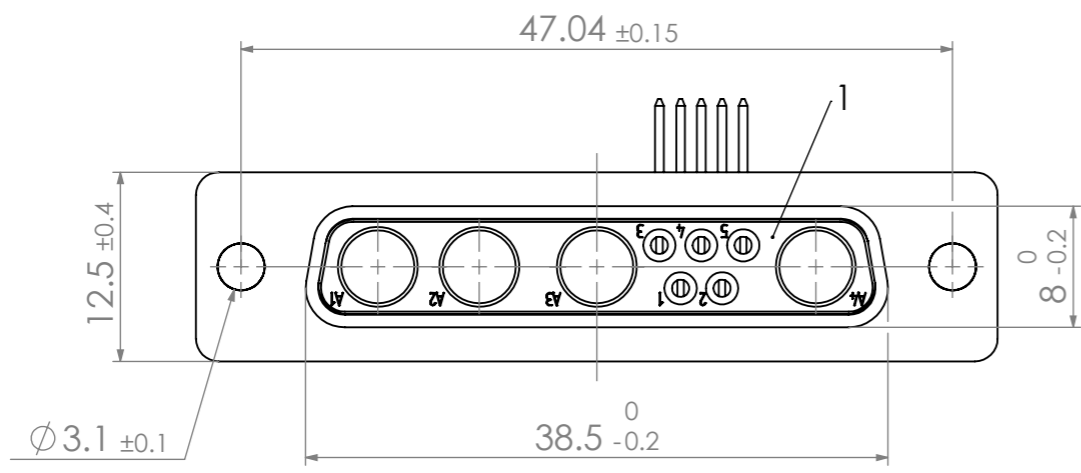
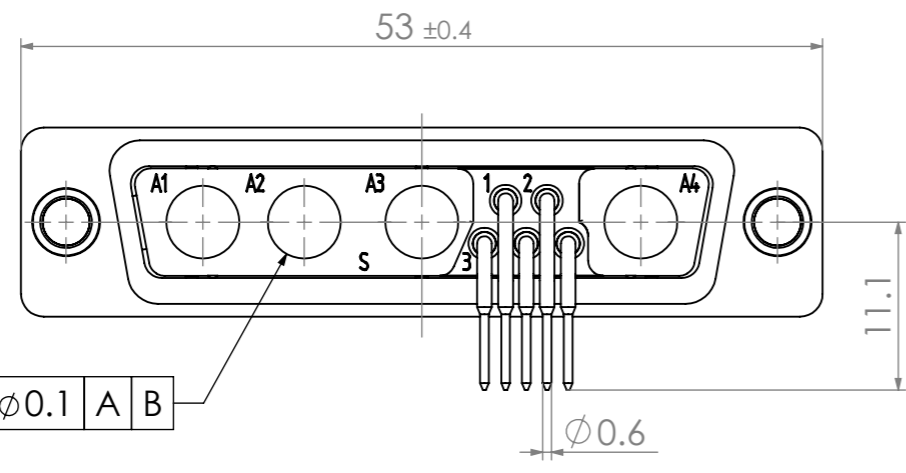
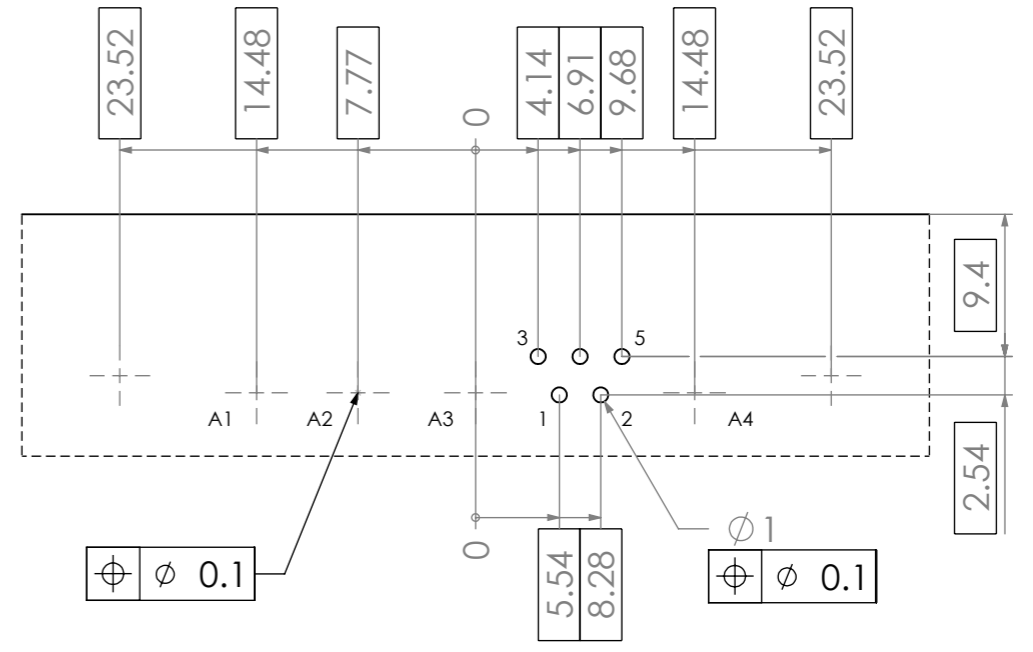


RoHS compliant
by exemption



PCB hole pattern, mounting side



Ø 0.1 A B

3	5	Signal contact	S5 / Brass	AuroPur
2	1	Shell	Steel	tin plated
1	1	Insulator	PBT (-55°C to +130°C) acc. UL94V-0	green
No.	St.	Part	Type Description/Material	Surface plating/Colour/Class

THIS DRAWING CONTAINS INFORMATION THAT IS PROPRIETARY TO MOLEX ELECTRONIC TECHNOLOGIES, LLC AND SHOULD NOT BE USED WITHOUT WRITTEN PERMISSION

FUNCTIONAL SYMBOLS	DIMENSION UNITS	SCALE	MEASUREMENTS WITHOUT TOLERANCE ACC. TO	molex	
▽ = 0	mm	2:1	ISO 2768-m		
▽ = 0				CURRENT REVISION	
▽ = 0				DRWN: DRAWN BY	yyakovlyeva 01-02-2019
				APPR: APPR BY	MTeubel 06-02-2019
	2	24130		INITIAL REVISION	
	1			DRWN: DRAWN BY	Markus.Jobst 11-05-2011
	REV.	CH.-NO.		APPR: APPR BY	Birgit.Rinder 11-05-2011
				REPLACEMENT FOR:	
			FRIST ANGLE PROJECTION	DRAWING	A3-SIZE
				DOCUMENT NUMBER	FM9W4S5A-K121
				CUSTOMER	GENERAL MARKET
				MATERIAL NUMBER	1731070714
				REVISION	2
				SHEET NUMBER	1 OF 1

COMMENT: ALL RIGHTS ARE RESERVED BY US FOR THIS DRAWING. WITHOUT OUR PRIOR CONSENT, IT MAY NEITHER BE DUPLICATED NOR MADE AVAILABLE TO A THIRD PARTY. AND IT ALSO MAY NOT BE IMPROPERLY USED BY THE RECEIVER, OR A THIRD PARTY.