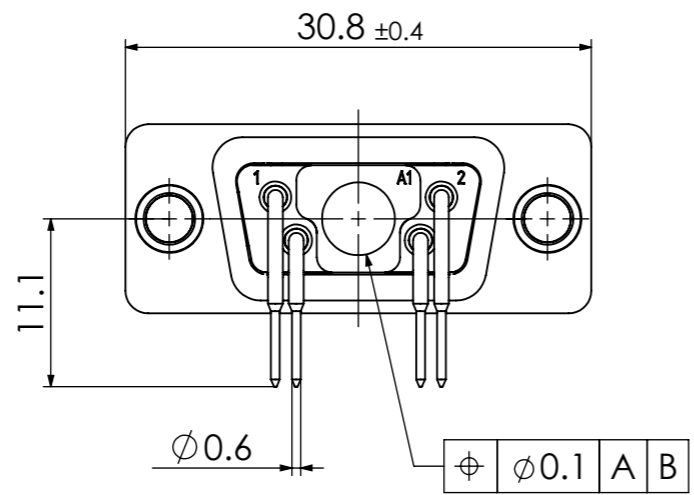
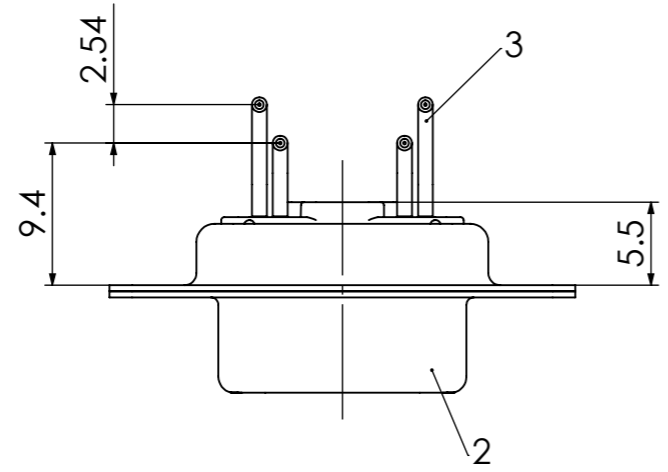
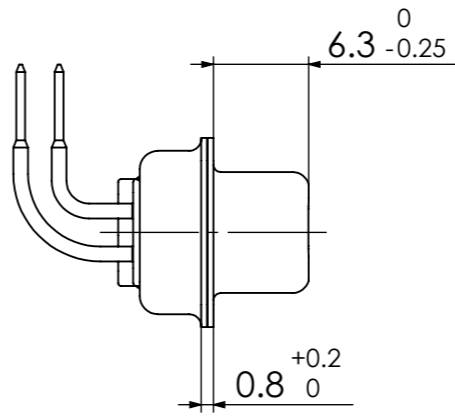
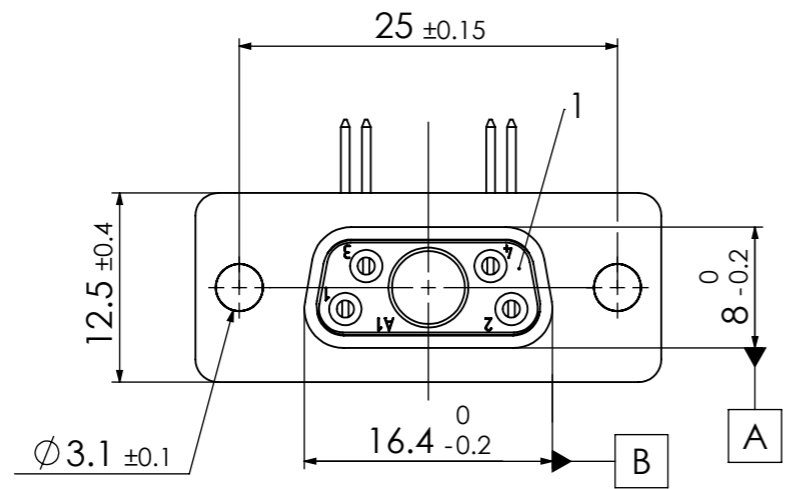
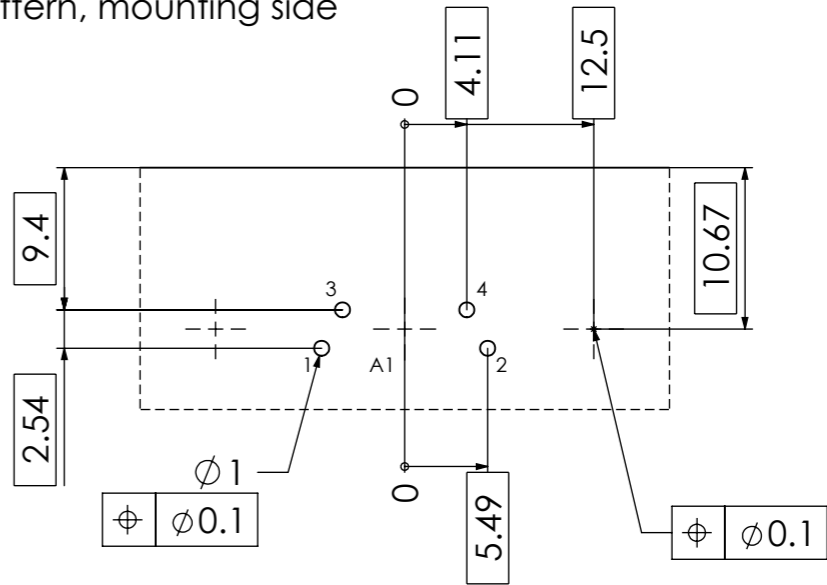


RoHS compliant
by exemption



PCB hole pattern, mounting side



3	4	Signal contact	S5 / Brass	0.8µm Au
2	1	Shell	Steel	tin plated
1	1	Insulator	PBT (-55°C to +130°C) acc. UL94V-0	green
No.	St.	Part	Type Description/Material	Surface plating/Colour/Class

FUNCTIONAL SYMBOLS ▽ = 0 ▽ = 0 ▽ = 0					THIS DRAWING CONTAINS INFORMATION THAT IS PROPRIETARY TO MOLEX ELECTRONIC TECHNOLOGIES, LLC AND SHOULD NOT BE USED WITHOUT WRITTEN PERMISSION				
DIMENSION UNITS		SCALE		MEASUREMENTS WITHOUT TOLERANCE ACC. TO ISO 2768-m					
mm		2:1							
CURRENT REVISION					PRODUCT CUSTOMER DRAWING				
DRWN: DRAWN BY			msteinbrueck		19-12-2023		MATERIAL NUMBER 1731070267		
APPR: APPR BY			mteubel		11-01-2024				
INITIAL REVISION					REVISION				
DRWN: DRAWN BY			sschref		22-03-2005		DOCUMENT NUMBER FM5W1S5-K121		
APPR: APPR BY			aschiekofer		23-03-2005				
REPLACEMENT FOR:		FIRST ANGLE PROJECTION		DRAWING		CUSTOMER		SHEET NUMBER	
1731070267_Rev. A1				A3-SIZE		GENERAL MARKET		1 OF 1	

COMMENT: ALL RIGHTS ARE RESERVED BY US FOR THIS DRAWING. WITHOUT OUR PRIOR CONSENT, IT MAY NEITHER BE DUPLICATED NOR MADE AVAILABLE TO A THIRD PARTY. AND IT ALSO MAY NOT BE IMPROPERLY USED BY THE RECEIVER, OR A THIRD PARTY.