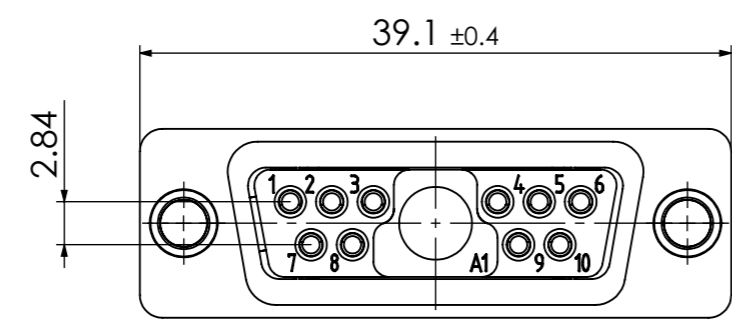
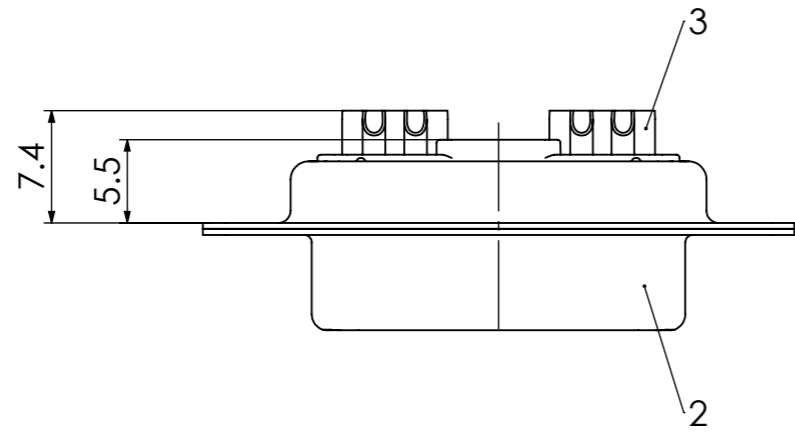
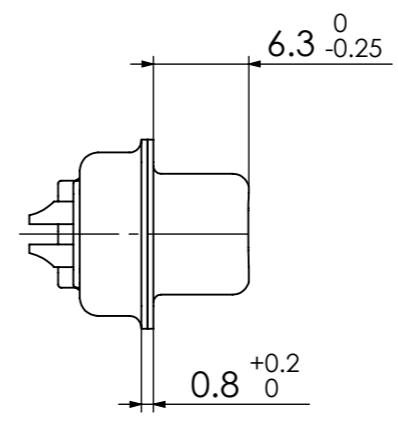
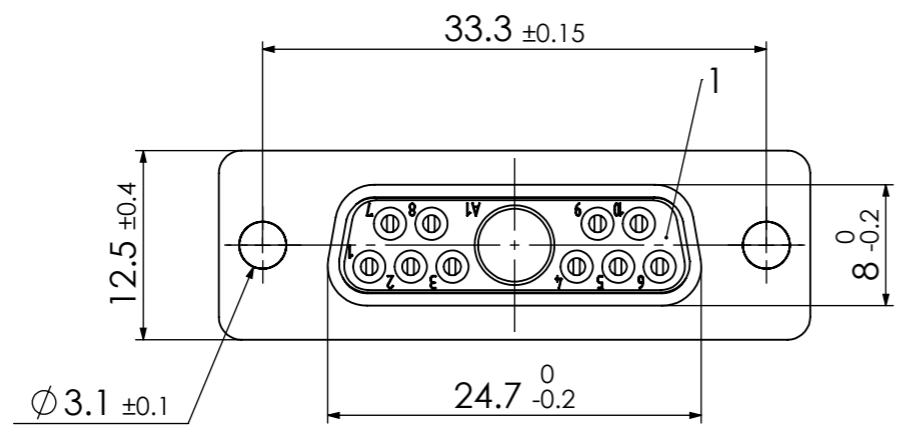


RoHS compliant
by exemption



3	10	Signal contact	SO / Brass	0.8µm Au / AWG20
2	1	Shell	Steel	tin plated
1	1	Insulator	PBT (-55°C zo +130°C) acc. UL94V-0	green
No.	St.	Part	Type Description/Material	Surface plating/Colour/Class

FUNCTIONAL SYMBOLS ▽ = 0 ▽ = 0 ▽ = 0					THIS DRAWING CONTAINS INFORMATION THAT IS PROPRIETARY TO MOLEX ELECTRONIC TECHNOLOGIES, LLC AND SHOULD NOT BE USED WITHOUT WRITTEN PERMISSION					
DIMENSION UNITS		SCALE		MEASUREMENTS WITHOUT TOLERANCE ACC. TO						
mm		2:1		ISO 2768-m						
CURRENT REVISION							FCT D-Sub Mixed-Layout Connector PRODUCT CUSTOMER DRAWING			
DRWN: DRAWN BY		msteinbrueck		02-08-2023						
APPR: APPR BY		mteubel		08-08-2023						
INITIAL REVISION							MATERIAL NUMBER 1731070103			
DRWN: DRAWN BY		sschref		27-10-2004						
APPR: APPR BY		aschiekofer		28-10-2004						
REPLACEMENT FOR:		FRIST ANGLE PROJECTION		DRAWING		DOCUMENT NUMBER		CUSTOMER		
1731070103_Rev. A				A3-SIZE		FM11W1S-K121		GENERAL MARKET		
							REVISION		SHEET NUMBER	
							3		1 OF 1	

COMMENT: ALL RIGHTS ARE RESERVED BY US FOR THIS DRAWING. WITHOUT OUR PRIOR CONSENT, IT MAY NEITHER BE DUPLICATED NOR MADE AVAILABLE TO A THIRD PARTY. AND IT ALSO MAY NOT BE IMPROPERLY USED BY THE RECEIVER, OR A THIRD PARTY.