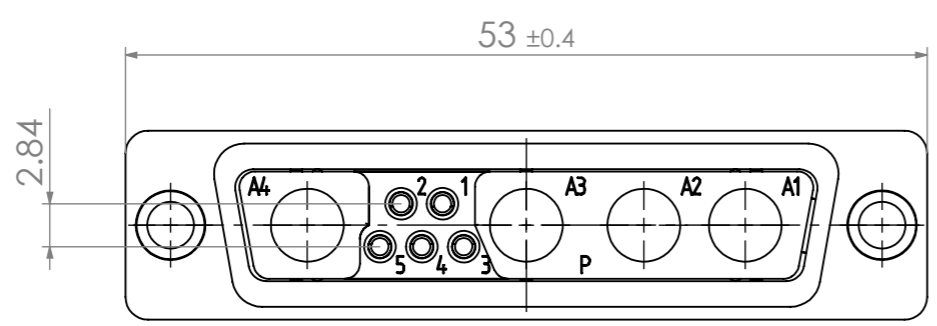
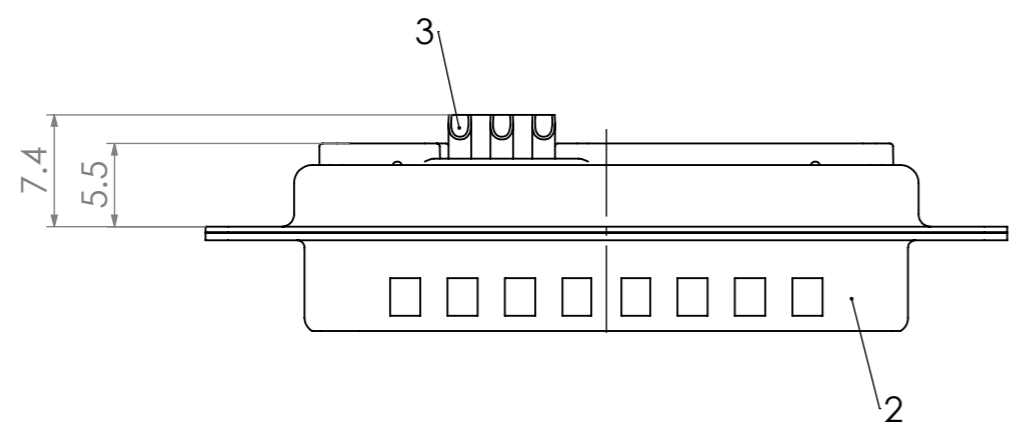
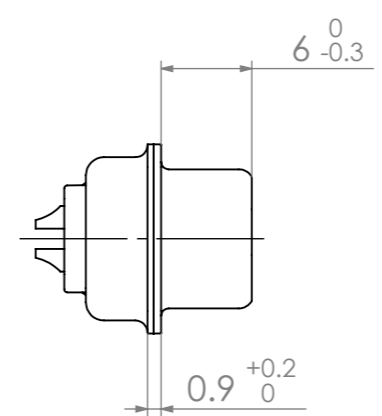
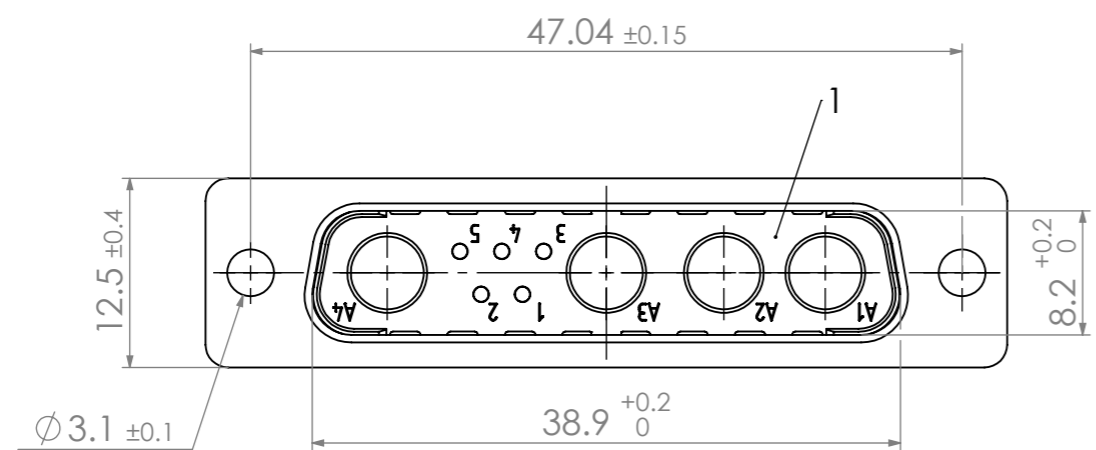


RoHS compliant
by exemption



No.	St.	Part	Type Description/Material	Surface plating/Colour/Class
3	5	Signal contact	P0 / Brass	0.8µm Au / AWG 20
2	1	Shell	Steel	tin plated
1	1	Insulator	PBT (-55°C to +130°C) acc. UL94V-0	green

FUNCTIONAL SYMBOLS					THIS DRAWING CONTAINS INFORMATION THAT IS PROPRIETARY TO MOLEX ELECTRONIC TECHNOLOGIES, LLC AND SHOULD NOT BE USED WITHOUT WRITTEN PERMISSION					
$F_A = 0$	DIMENSION UNITS	SCALE	MEASUREMENTS WITHOUT TOLERANCE ACC. TO		<div style="text-align: center;">molex</div>					
$F_C = 0$	mm	2:1	ISO 2768-m							
$F_P = 0$										
CURRENT REVISION					PRODUCT CUSTOMER DRAWING					
DRWN: DRAWN BY			msteinbrueck		01-02-2019		FCT D-Sub Mixed-Layout Connector			
APPR: APPR BY			MTeubel		06-02-2019		MATERIAL NUMBER			
INITIAL REVISION					REVISION					
DRWN: DRAWN BY			Denzinger		30-10-2002		1731070061			
APPR: APPR BY			floßmann		30-10-2002		DOCUMENT NUMBER			
REPLACEMENT FOR:					FIRST ANGLE PROJECTION		DRAWING		CUSTOMER	
					A3-SIZE		FM9W4P-K120		GENERAL MARKET	
									SHEET NUMBER	
									1 OF 1	

COMMENT: ALL RIGHTS ARE RESERVED BY US FOR THIS DRAWING. WITHOUT OUR PRIOR CONSENT, IT MAY NEITHER BE DUPLICATED NOR MADE AVAILABLE TO A THIRD PARTY. AND IT ALSO MAY NOT BE IMPROPERLY USED BY THE RECEIVER, OR A THIRD PARTY.