

- NOTES:
- MATERIAL:  
 'A' = NYLON V-0 LOW HALOGEN; COLOR: BLACK  
 'B' = NYLON V-2 GLOW WIRE CAPABLE; COLOR: BLACK  
 'C' = NYLON V-2; COLOR: BLACK
  - FINISH: NONE
  - PRODUCT SPECIFICATION: PS-172718-0000 and 2029880001-PS  
 APPLICATION SPECIFICATION: AS-172718-0000
  - PACKAGING SPECIFICATION: BULK  
 PK-172708-0000
  - THIS PART TO BE USED WITH FEMALE TERMINAL SERIES 172718, 202988 AND TPA SERIES 172709.
  - THIS PART MATES WITH SERIES 5559, 5566, 5569, 172762-0\*\*\*, 172762-1\*\*\*, 172767.
  - THIS PART CONFORMS TO CLASS 'B' REQUIREMENTS OF COSMETIC SPECIFICATION PS-45499-002.
  - THIS PRODUCT MUST BE USED WITH THE TPA INSTALLED.

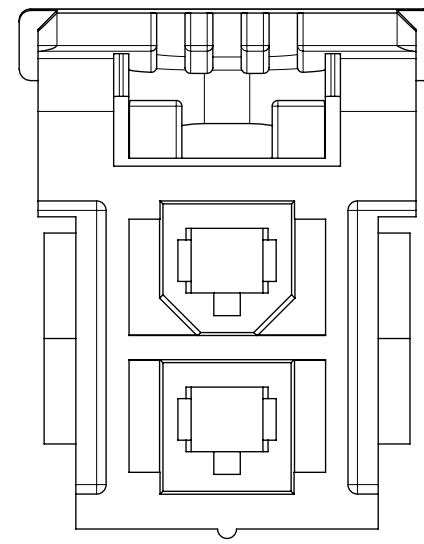
THIS DRAWING CONTAINS INFORMATION THAT IS PROPRIETARY TO MOLEX ELECTRONIC TECHNOLOGIES, LLC AND SHOULD NOT BE USED WITHOUT WRITTEN PERMISSION									
DIMENSION UNITS		SCALE		CURRENT REV DESC:					
mm		NTS							
GENERAL TOLERANCES (UNLESS SPECIFIED)				EC NO: 768511				HOUSING, DUAL ROW RECEPTACLE MINI-FIT TPA2	
ANGULAR TOL ± °				DRWN: JERRYW8 2023/11/06					
4 PLACES ±				CHK'D: XQZHANG 2023/11/15				PRODUCT CUSTOMER DRAWING	
3 PLACES ±				APPR: XQZHANG 2023/11/15					
2 PLACES ± 0.13				INITIAL REVISION:				DOCUMENT NUMBER <b>SD-172708-0000</b>	
1 PLACE ± 0.2				DRWN: TGREGORI 2014/09/10					
0 PLACES ±				APPR: TGREGORI 2014/09/24				DOC TYPE DOC PART REVISION PSD 000 H7	
DRAFT WHERE APPLICABLE MUST REMAIN WITHIN DIMENSIONS		THIRD ANGLE PROJECTION		DRAWING		SERIES		SHEET NUMBER	
				C-SIZE		172708		1 OF 4	

PART NUMBER	CKTS	DIM C	DIM D	MATERIAL
172708-0002	2	8.00	11.80	A
172708-0102				B
172708-0202				C
172708-0004	4	9.60	13.40	A
172708-0104				B
172708-0204				C
172708-0006	6	13.80	17.60	A
172708-0106				B
172708-0206				C
172708-0008	8	18.00	21.80	A
172708-0108				B
172708-0208				C
172708-0010	10	22.20	26.00	A
172708-0110				B
172708-0210				C
172708-0012	12	26.40	30.20	A
172708-0112				B
172708-0212				C

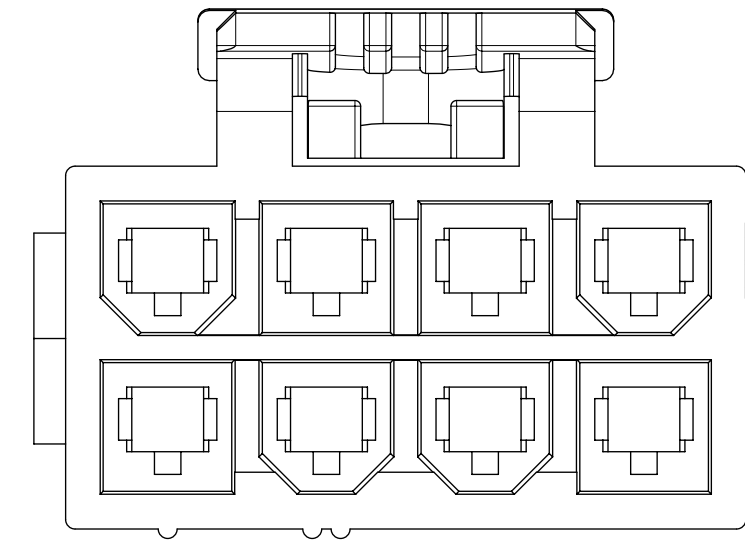
# POLARIZATION DETAIL

SHOWN WITHOUT TPA OR TERMINAL FOR CLARITY

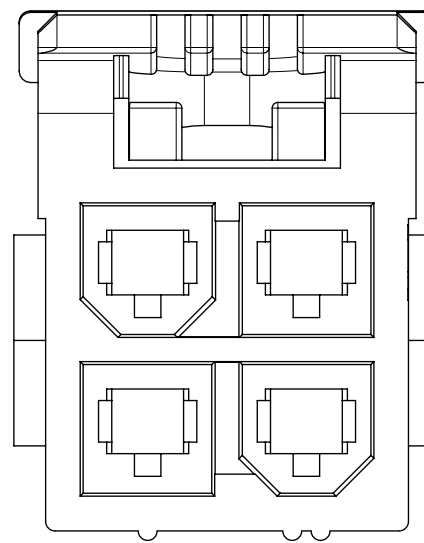
2 CKT



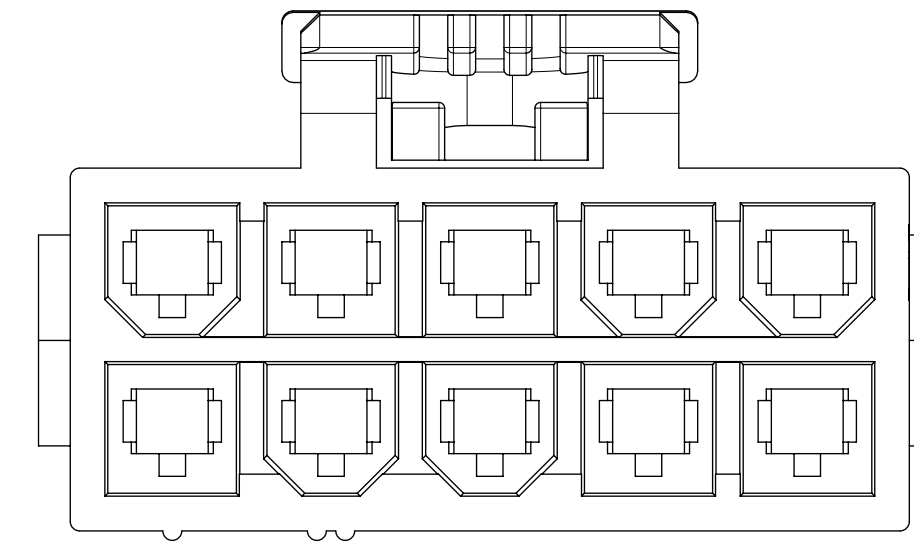
8 CKT



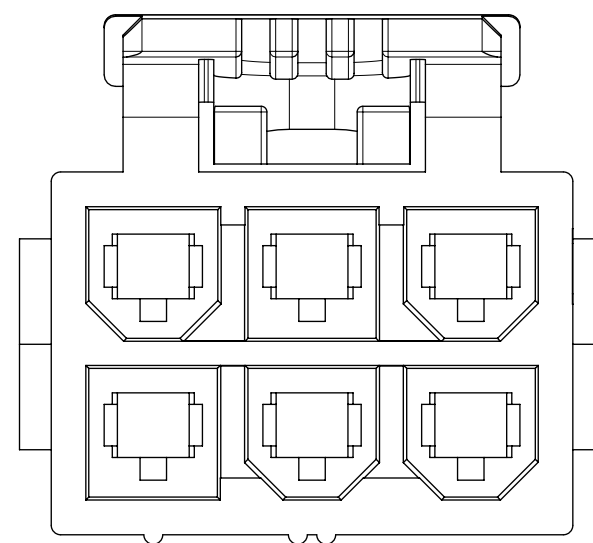
4 CKT



10 CKT

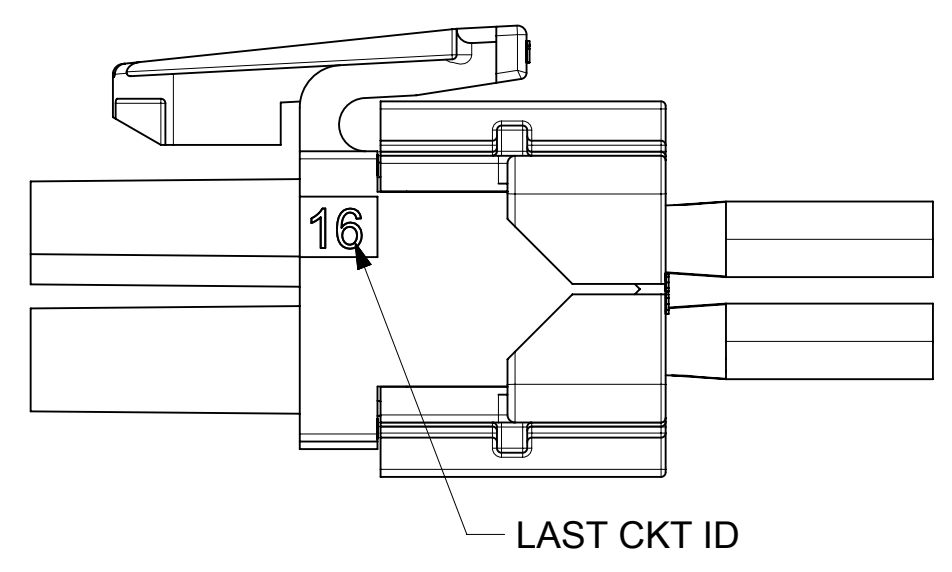
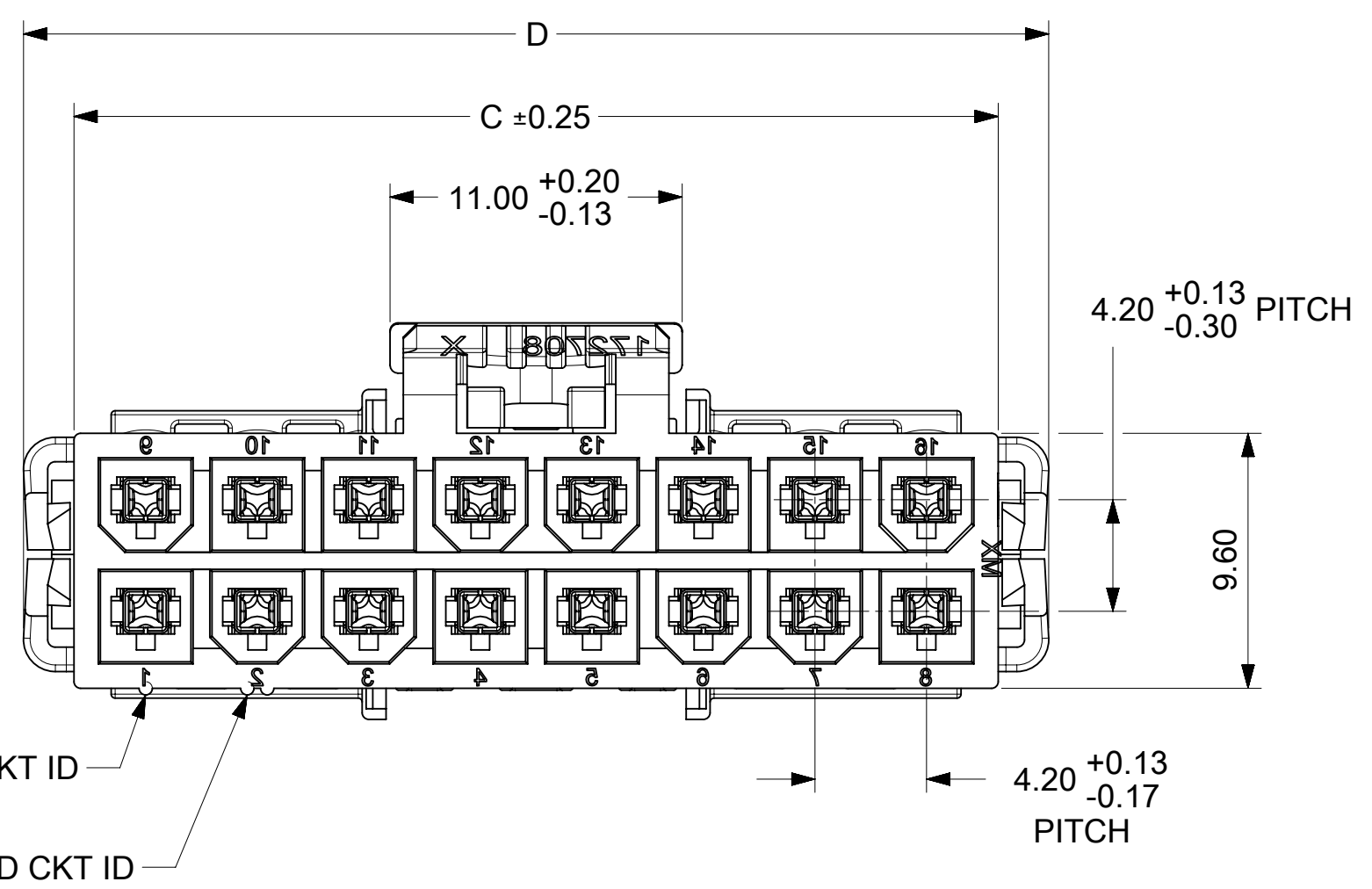
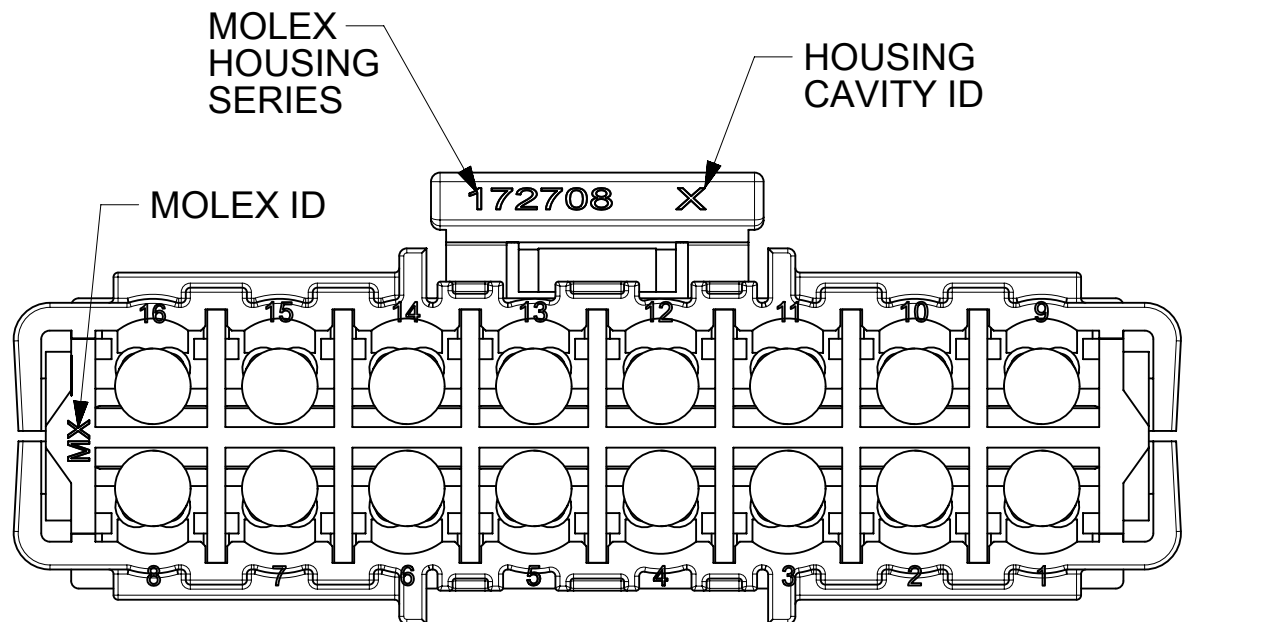
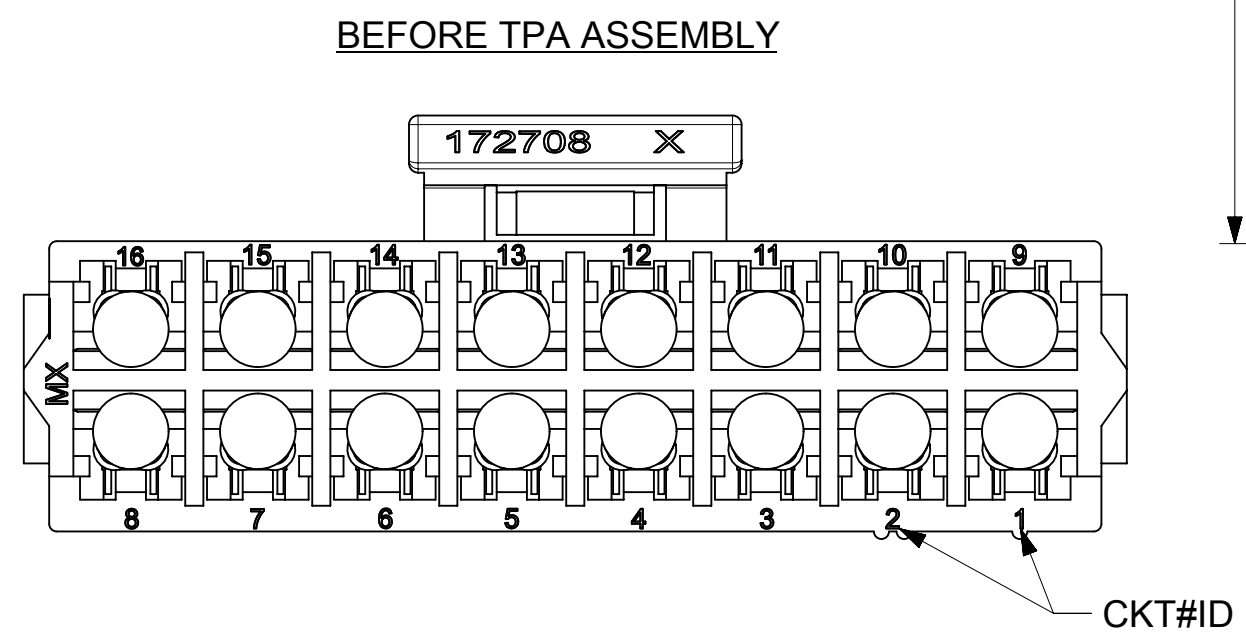
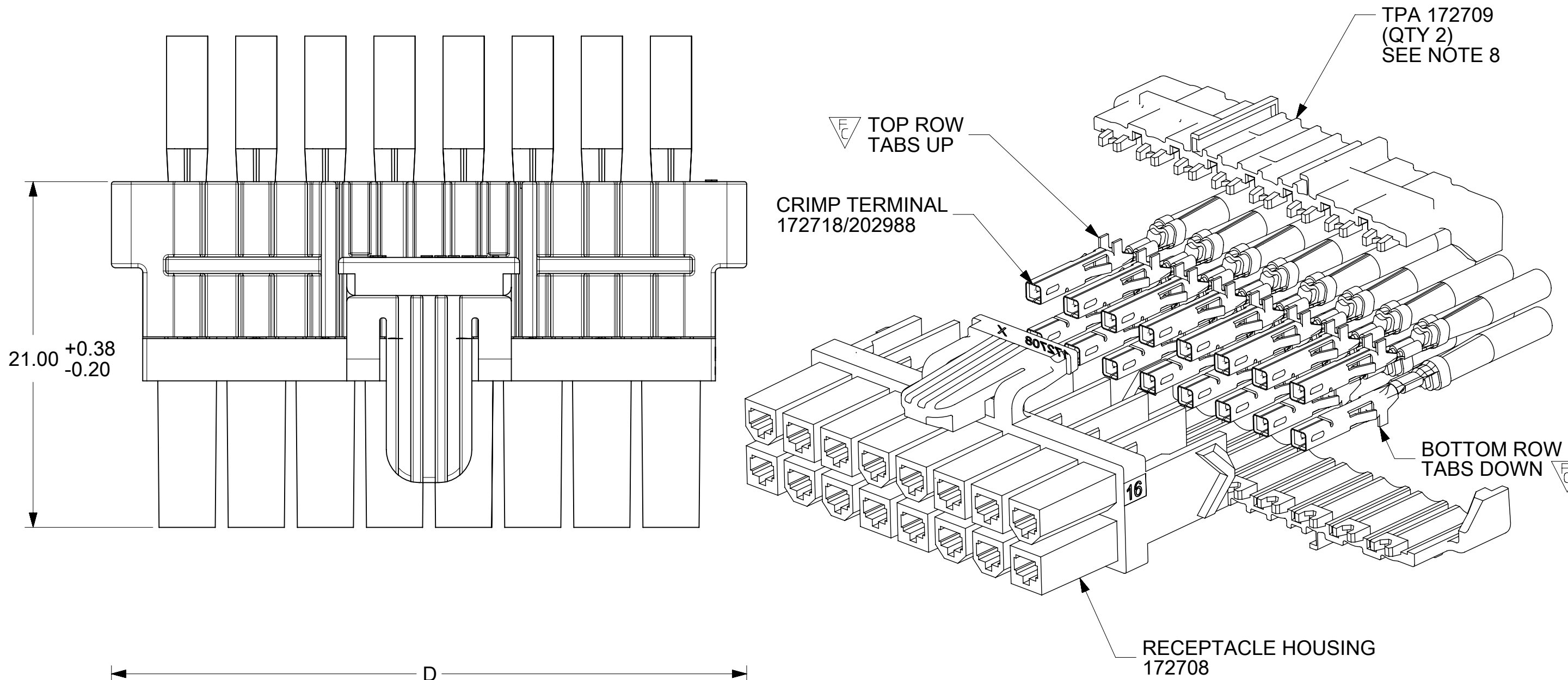


6 CKT



12 CKT

THIS DRAWING CONTAINS INFORMATION THAT IS PROPRIETARY TO MOLEX ELECTRONIC TECHNOLOGIES, LLC AND SHOULD NOT BE USED WITHOUT WRITTEN PERMISSION									
DIMENSION UNITS		SCALE		CURRENT REV DESC:				<b>molex</b>	
mm		NTS							
GENERAL TOLERANCES (UNLESS SPECIFIED)				EC NO: 768511				HOUSING, DUAL ROW RECEPTACLE MINI-FIT TPA2	
ANGULAR TOL ± °				DRWN: JERRYW8 2023/11/06					
4 PLACES ±				CHK'D: XQZHANG 2023/11/15				PRODUCT CUSTOMER DRAWING	
3 PLACES ±				APPR: XQZHANG 2023/11/15					
2 PLACES ± 0.13				INITIAL REVISION:				DOCUMENT NUMBER	
1 PLACE ± 0.2				DRWN: TGREGORI 2014/09/10				SD-172708-0000	
0 PLACES ±				APPR: TGREGORI 2014/09/24				DOC TYPE DOC PART REVISION	
DRAFT WHERE APPLICABLE MUST REMAIN WITHIN DIMENSIONS				THIRD ANGLE PROJECTION		DRAWING		SHEET NUMBER	
				C-SIZE		SERIES		MATERIAL NUMBER CUSTOMER	
						172708		SEE TABLE GENERAL MARKET	
								2 OF 4	



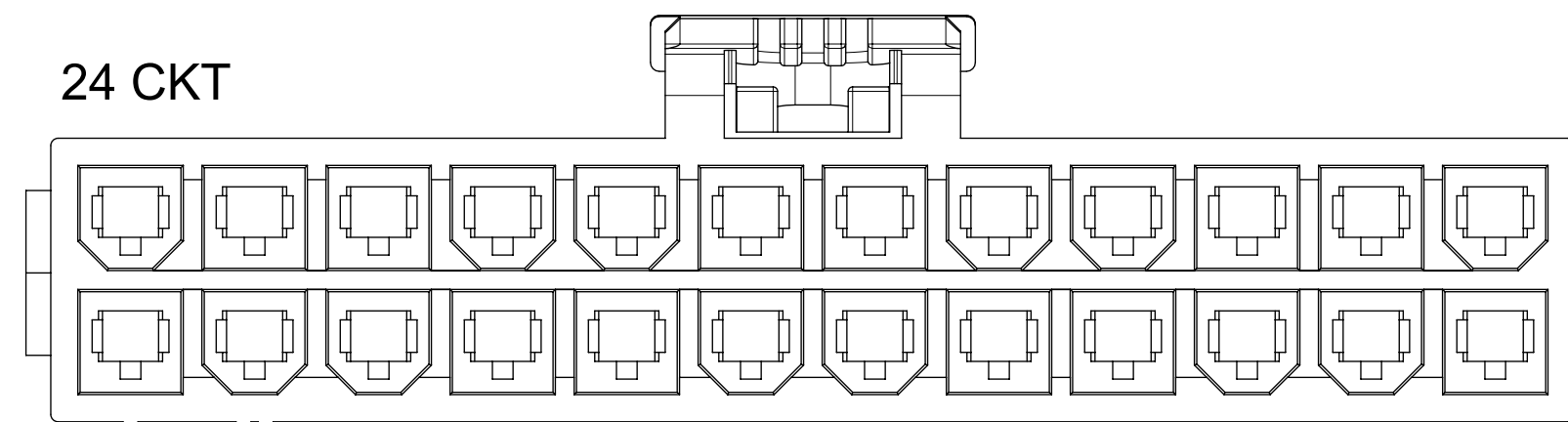
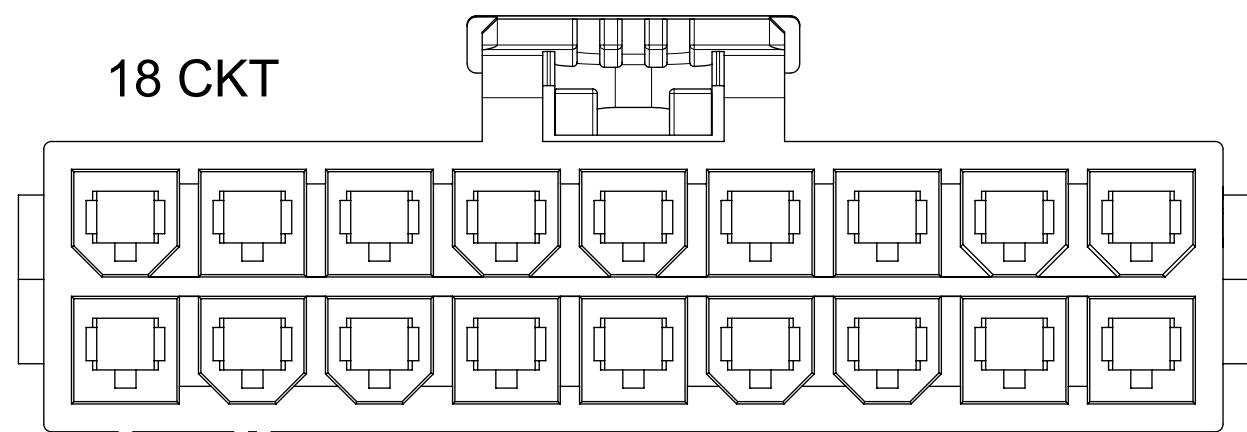
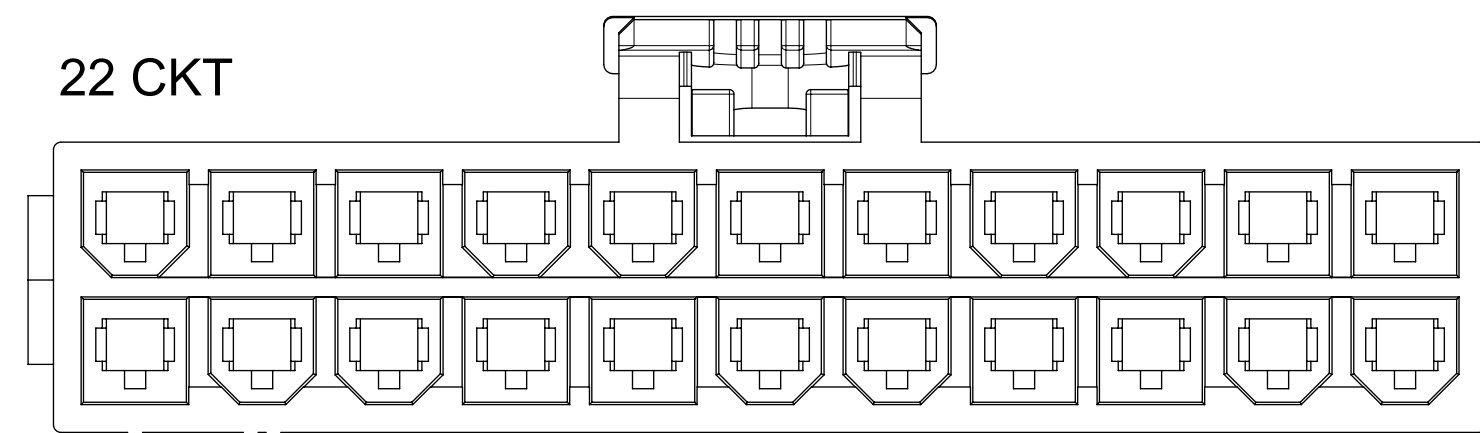
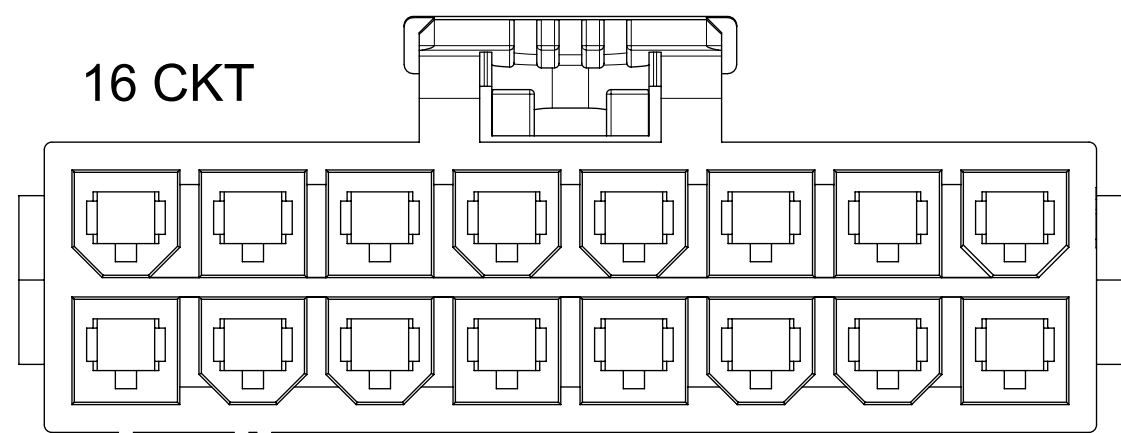
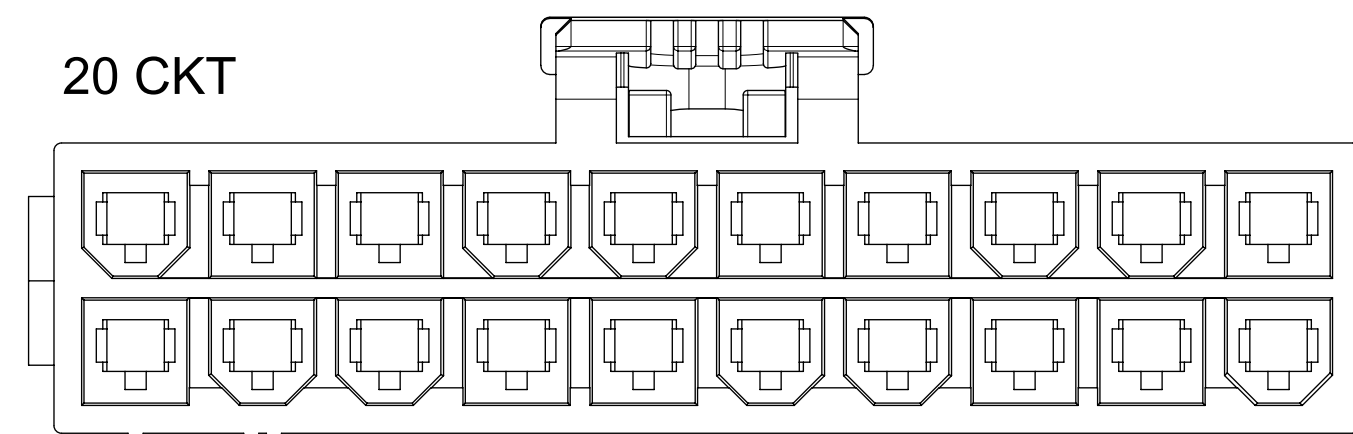
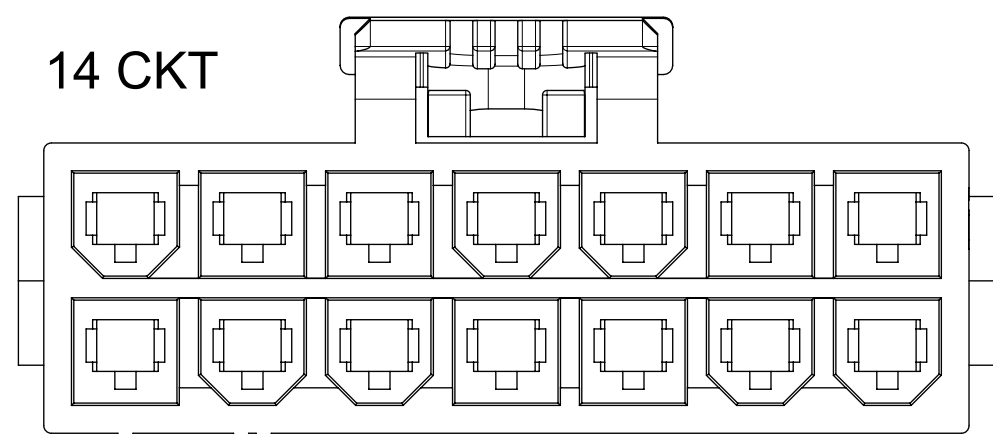
- NOTES:**
- MATERIAL:**  
 'A' = NYLON V-0 LOW HALOGEN; COLOR: BLACK  
 'B' = NYLON V-2 GLOW WIRE CAPABLE; COLOR: BLACK
  - FINISH:** NONE
  - PRODUCT SPECIFICATION:** PS-172718-0000 and 2029880001-PS  
**APPLICATION SPECIFICATION:** AS-172718-0000
  - PACKAGING SPECIFICATION:** BULK  
 1727080001-PK  
 REFER TO AS-45499-001 FOR MOISTURIZING NYLON CONNECTOR PARTS.
  - THIS PART TO BE USED WITH FEMALE TERMINAL SERIES 172718, 202988 AND TPA SERIES 172709.
  - THIS PART MATES WITH SERIES 5559, 5566, 5569 AND 172767.
  - THIS PART CONFORMS TO CLASS 'B' REQUIREMENTS OF COSMETIC SPECIFICATION PS-45499-002.
  - THIS PRODUCT MUST BE USED WITH THE TPA INSTALLED.

THIS DRAWING CONTAINS INFORMATION THAT IS PROPRIETARY TO MOLEX ELECTRONIC TECHNOLOGIES, LLC AND SHOULD NOT BE USED WITHOUT WRITTEN PERMISSION									
DIMENSION UNITS		SCALE		CURRENT REV DESC:					
mm		NTS		<b>molex</b> HOUSING, DUAL ROW RECEPTACLE MINI-FIT TPA2 PRODUCT CUSTOMER DRAWING DOCUMENT NUMBER: <b>SD-172708-0000</b>   DOC TYPE: PSD   DOC PART: 000   REVISION: H7 MATERIAL NUMBER: SEE TABLE   CUSTOMER: GENERAL MARKET   SHEET NUMBER: 3 OF 4					
GENERAL TOLERANCES (UNLESS SPECIFIED)									
ANGULAR TOL ± °									
4 PLACES ±		EC NO: 768511							
3 PLACES ±		DRWN: JERRYW8 2023/11/06							
2 PLACES ± 0.13		CHK'D: XQZHANG 2023/11/15							
1 PLACE ± 0.2		APPR: XQZHANG 2023/11/15							
0 PLACES ±		INITIAL REVISION:							
DRAFT WHERE APPLICABLE MUST REMAIN WITHIN DIMENSIONS		THIRD ANGLE PROJECTION		DRAWING SERIES		MATERIAL NUMBER		CUSTOMER	
		C-SIZE 172708		2014/09/10		SEE TABLE		GENERAL MARKET	
				2014/09/24					

PART NUMBER	CKTS	DIM C	DIM D	MATERIAL
1727080014	14	30.60	34.40	A
1727080114				B
1727080016	16	34.80	38.60	A
1727080116				B
1727080018	18	39.00	42.80	A
1727080118				B
1727080020	20	43.20	47.00	A
1727080120				B
1727080022	22	47.40	51.20	A
1727080122				B
1727080024	24	51.60	55.40	A
1727080124				B

# POLARIZATION DETAIL

SHOWN WITHOUT TPA OR TERMINAL FOR CLARITY



THIS DRAWING CONTAINS INFORMATION THAT IS PROPRIETARY TO MOLEX ELECTRONIC TECHNOLOGIES, LLC AND SHOULD NOT BE USED WITHOUT WRITTEN PERMISSION									
DIMENSION UNITS		SCALE		CURRENT REV DESC:				<b>molex</b>	
mm		NTS							
GENERAL TOLERANCES (UNLESS SPECIFIED)				EC NO: 768511				HOUSING, DUAL ROW RECEPTACLE MINI-FIT TPA2	
ANGULAR TOL ± °				DRWN: JERRYW8 2023/11/06					
4 PLACES ±				CHK'D: XQZHANG 2023/11/15				PRODUCT CUSTOMER DRAWING	
3 PLACES ±				APPR: XQZHANG 2023/11/15					
2 PLACES ± 0.13				INITIAL REVISION:				DOCUMENT NUMBER	
1 PLACE ± 0.2				DRWN: TGREGORI 2014/09/10				SD-172708-0000	
0 PLACES ±				APPR: TGREGORI 2014/09/24				DOC TYPE DOC PART REVISION	
DRAFT WHERE APPLICABLE MUST REMAIN WITHIN DIMENSIONS				THIRD ANGLE PROJECTION		DRAWING		MATERIAL NUMBER	
				C-SIZE		SERIES		CUSTOMER	
				172708		GENERAL MARKET		SHEET NUMBER	
						SEE TABLE		4 OF 4	

DOCUMENT STATUS	P1	RELEASE DATE	2023/11/15 09:48:29
-----------------	----	--------------	---------------------