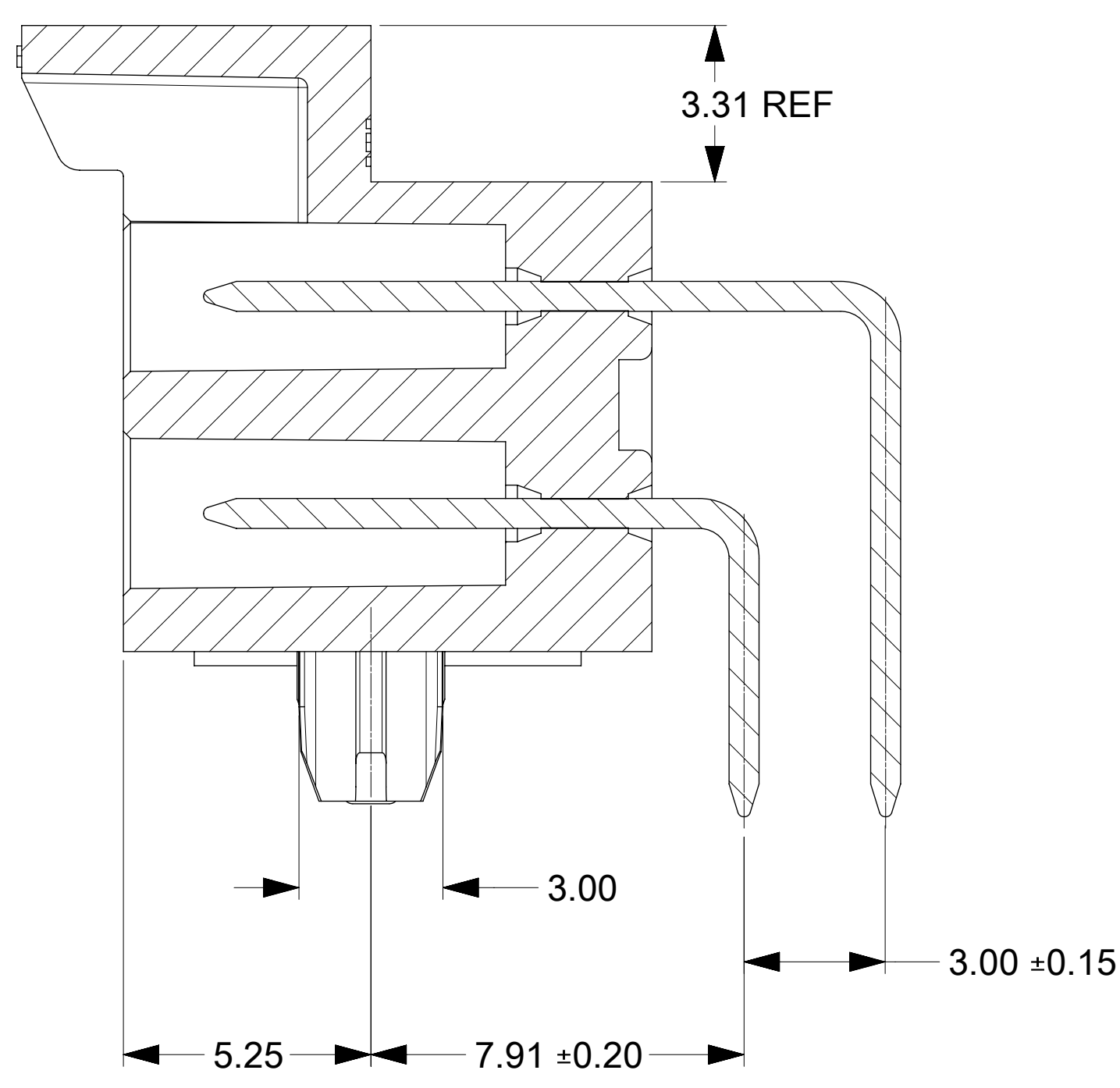
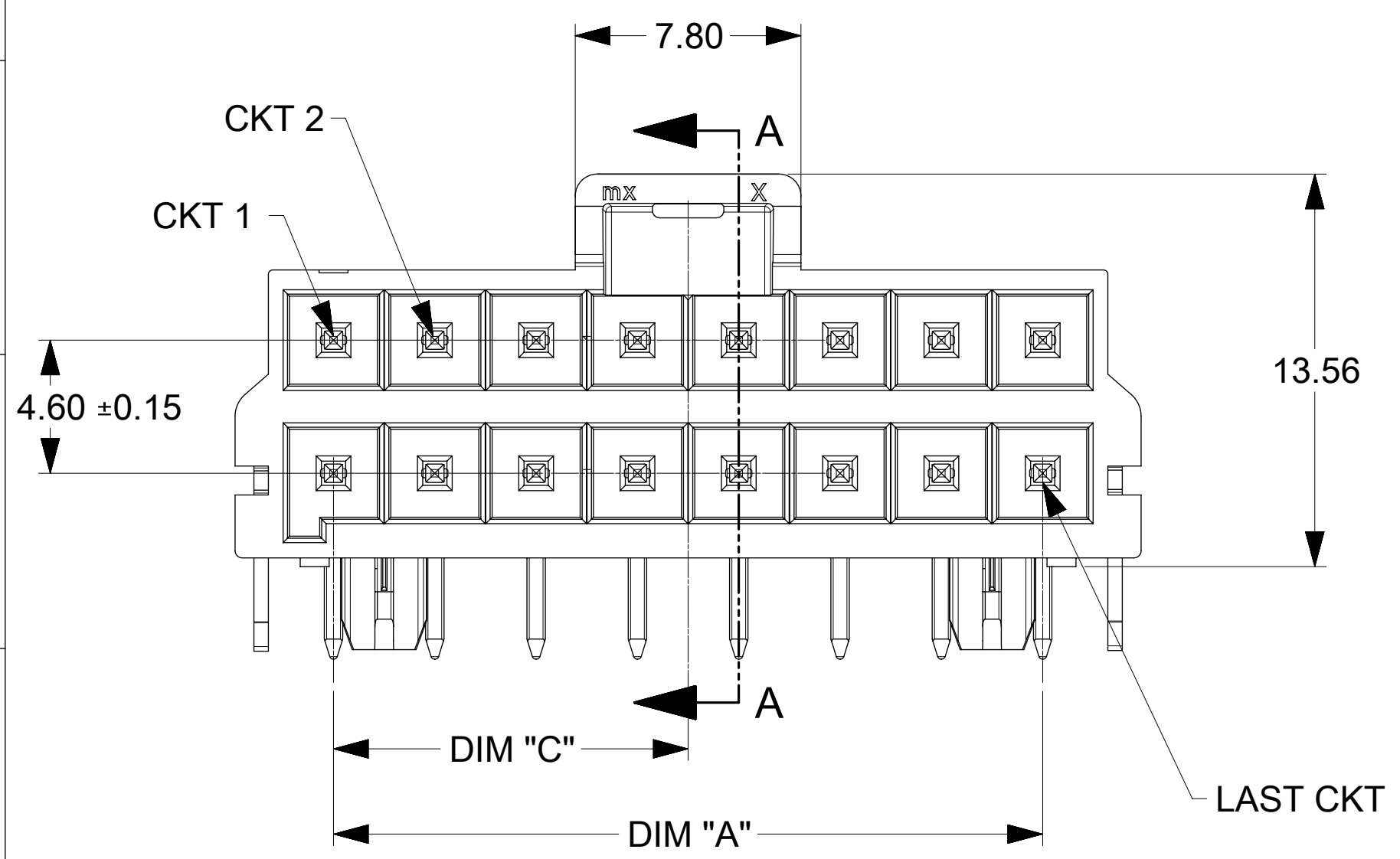
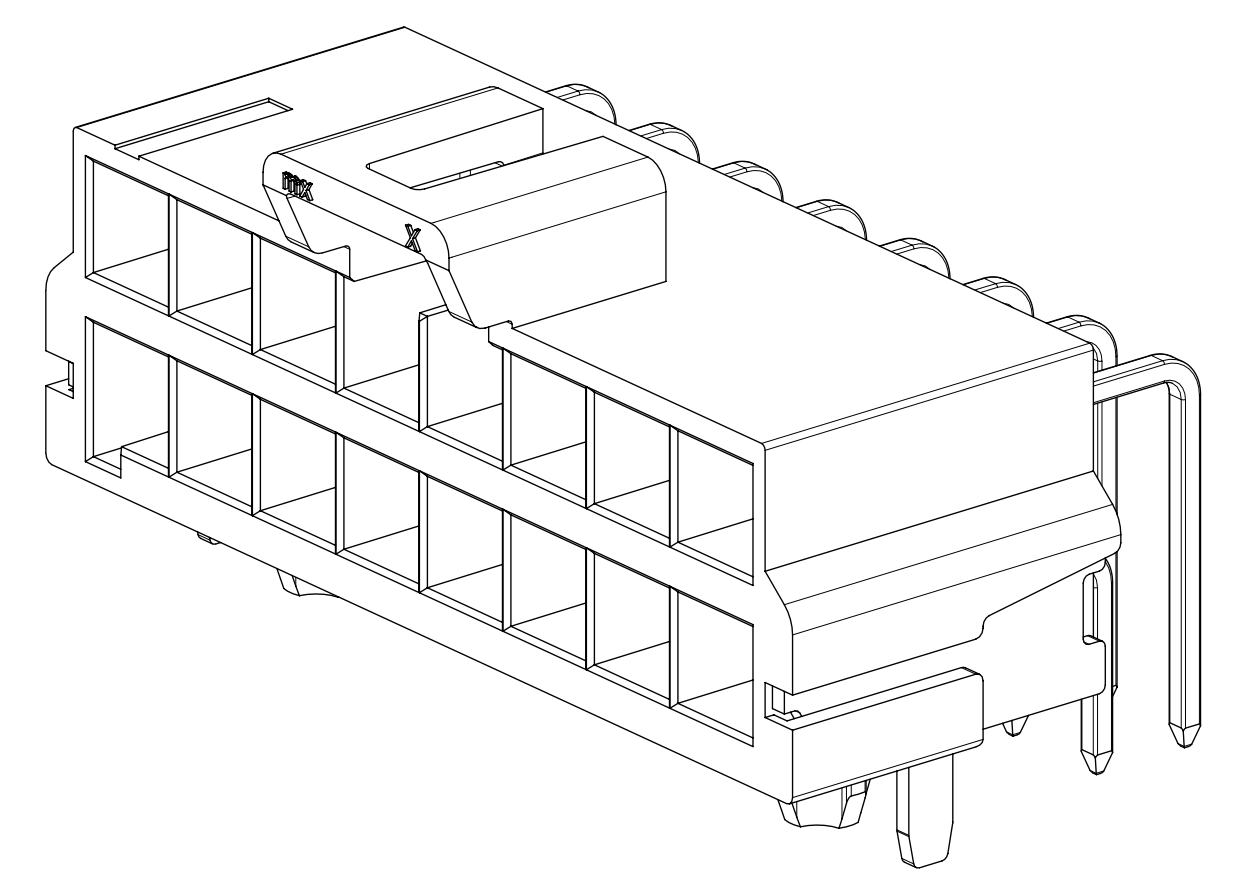
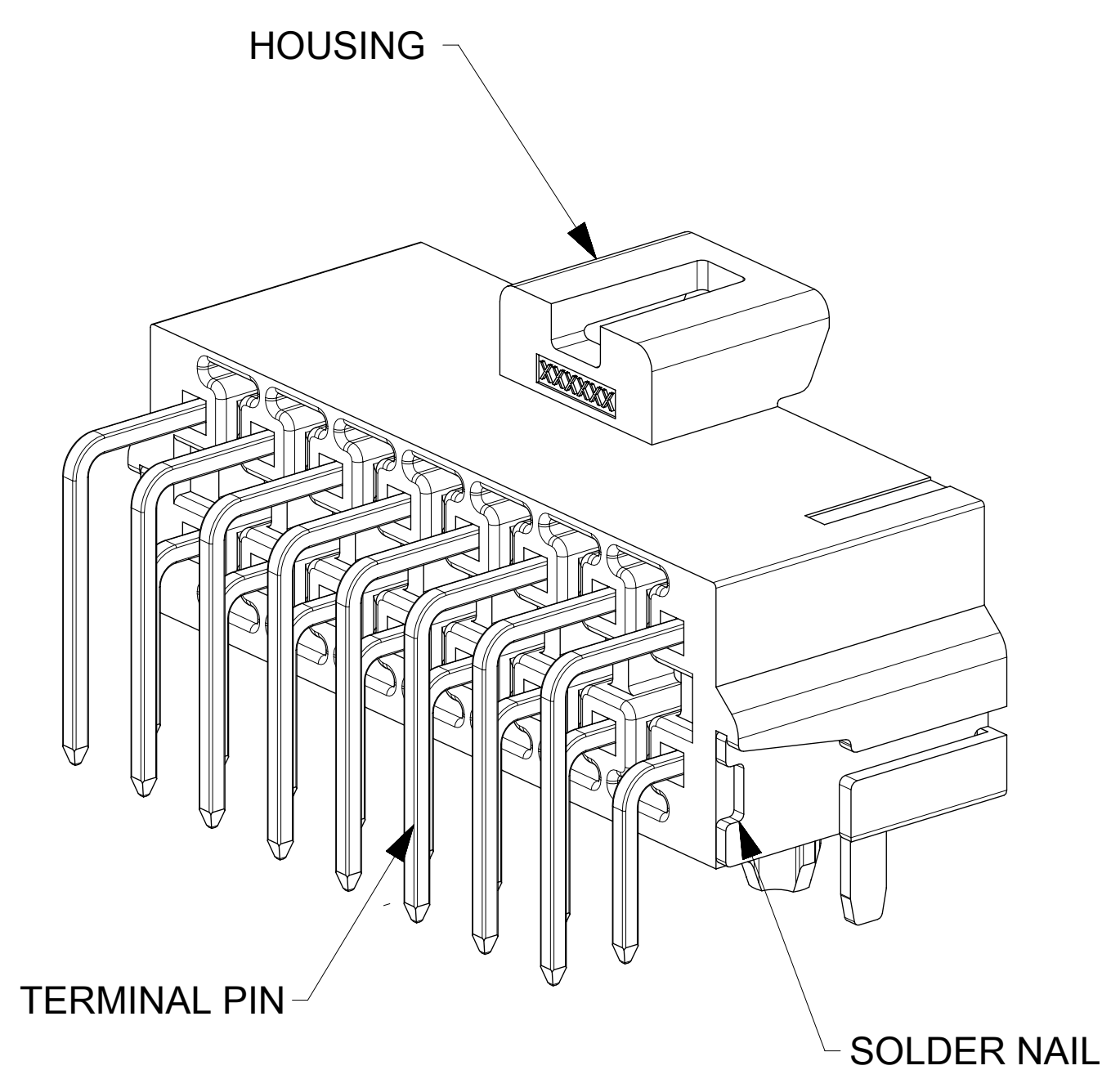
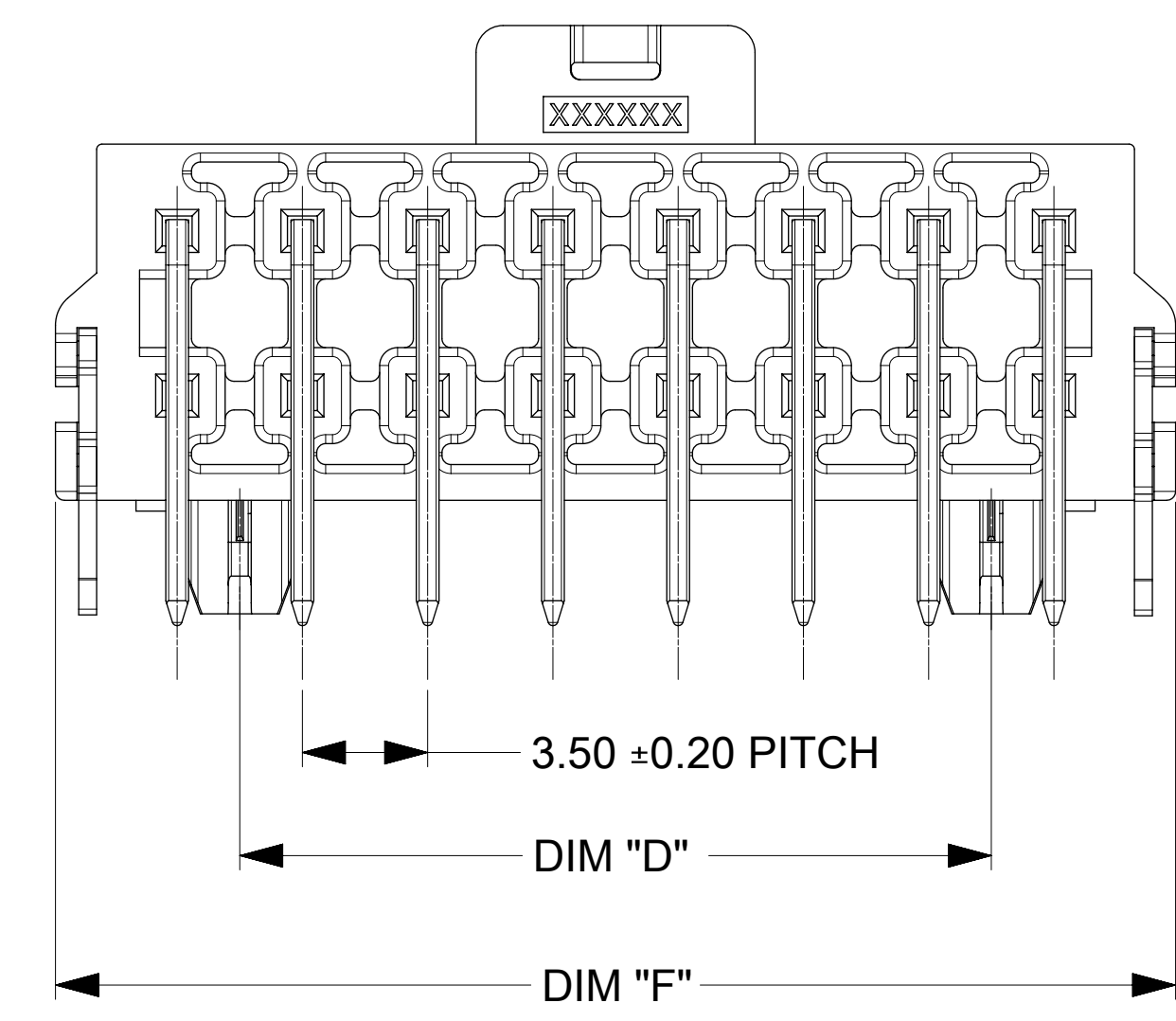


DATE CODE LOCATION
SEE NOTE 6

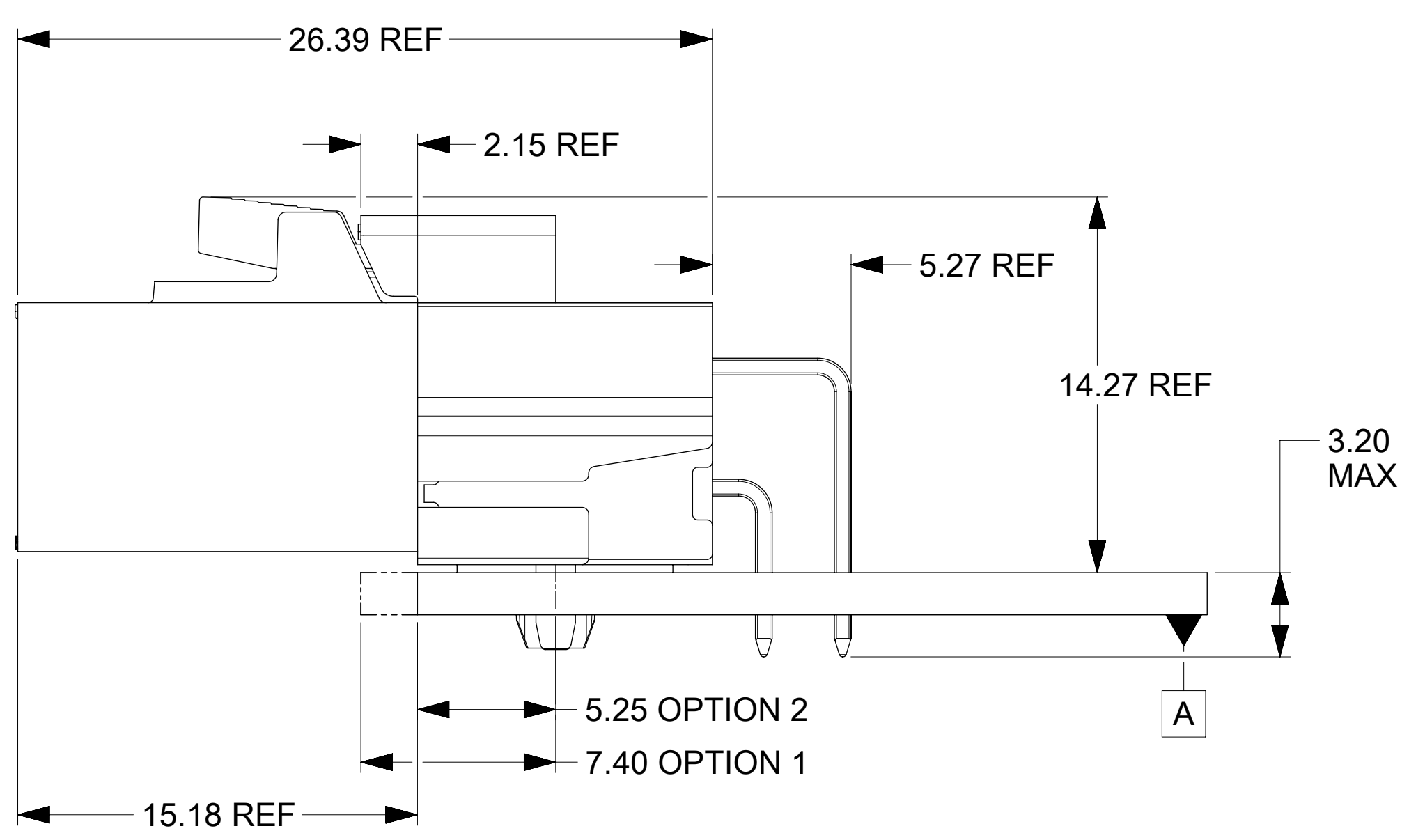


SECTION A-A
SCALE 8:1



NOTES:

- MATERIAL :
HOUSING:
OPTION 1: LCP BLACK, UL94V-0
OPTION 2: LCP NATURAL, UL94V-0
TERMINAL: COPPER ALLOY
- PLATING FINISH:
OPTION 1 - 1.5µm(60µin)-2.5µm(100µin) REFLOW MATTE TIN OVER
1.25µm(50µin)-2.5µm(100µin) NICKEL OVERALL
OPTION 2 - 0.35µm(15µin) GOLD CONTACT AREA,
1.5µm(60µin)-2.5µm(100µin) MATTE TIN OVER
1.25µm(50µin)-2.5µm(100µin) NICKEL OVERALL
OPTION 3 - 0.70µm(30µin) GOLD CONTACT AREA,
1.5µm(60µin)-2.5µm(100µin) MATTE TIN OVER
1.25µm(50µin)-2.5µm(100µin) NICKEL OVERALL
- PARTS TO BE PACKAGED PER 172316-1114-PK
- PRODUCT SPECIFICATION PS-172323-0001
- PART MATES WITH MOLEX RECEPTACLE HOUSING
172258 AND 172262
- PART CONFORMS TO CLASS "C" REQUIREMENTS OF MOLEX COSMETIC
SPECIFICATION.
PS-45499-002 WITH 0.13 MM MAXIMUM FLASH ALLOWED IN CORE
HOLES AND FRONT SURFACE.
- LASER MARK CODE IN A FORMAT DDD
- PARTS ARE NOT DESIGNED FOR CURRENT SHARING.



OPTION 1: LATCH FLUSH WITH PCB EDGE
OPTION 2: HOUSING BODY FLUSH WITH PCB EDGE

SYMBOLS	THIS DRAWING CONTAINS INFORMATION THAT IS PROPRIETARY TO MOLEX ELECTRONIC TECHNOLOGIES, LLC AND SHOULD NOT BE USED WITHOUT WRITTEN PERMISSION		CURRENT REV DESC:		molex
	DIMENSION UNITS	SCALE			
▽ = 0	mm	5:1			ULTRA-FIT DR R/A HEAD SN ASSY
▽ = 0	GENERAL TOLERANCES (UNLESS SPECIFIED)				PRODUCT CUSTOMER DRAWING
▽ = 0	ANGULAR TOL	± °			DOCUMENT NUMBER
▽ = 0	4 PLACES	±	EC NO: 762168	2023/09/06	1723162000
▽ = 0	3 PLACES	±	DRWN: LEOW	2024/02/20	PSD 000 E
▽ = 0	2 PLACES	± 0.13	CHK'D: XQZHANG	2016/06/21	DOC TYPE DOC PART REVISION
▽ = 0	1 PLACE	± 0.25	APPR: XQZHANG	2016/06/21	
□ = 0	0 PLACES	±	INITIAL REVISION:		
■ = 0	DRAFT WHERE APPLICABLE MUST REMAIN WITHIN DIMENSIONS		DRWN: PPEREZ03	2016/02/22	
▽ = 0	THIRD ANGLE PROJECTION		APPR: RHODGE	2016/06/21	
	DRAWING		SERIES	MATERIAL NUMBER	CUSTOMER
	D-SIZE		172316		SHEET NUMBER
					1 OF 3

