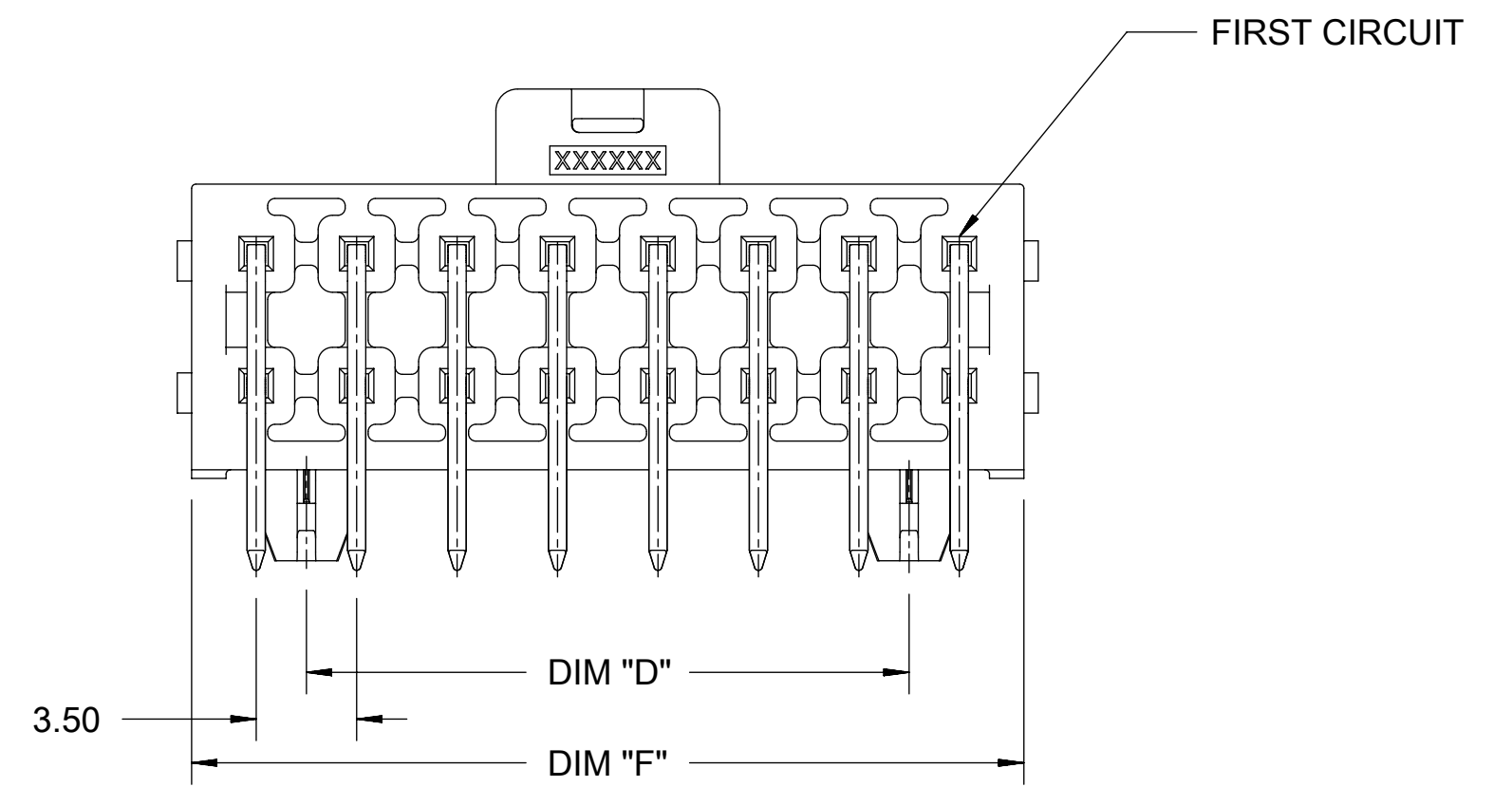
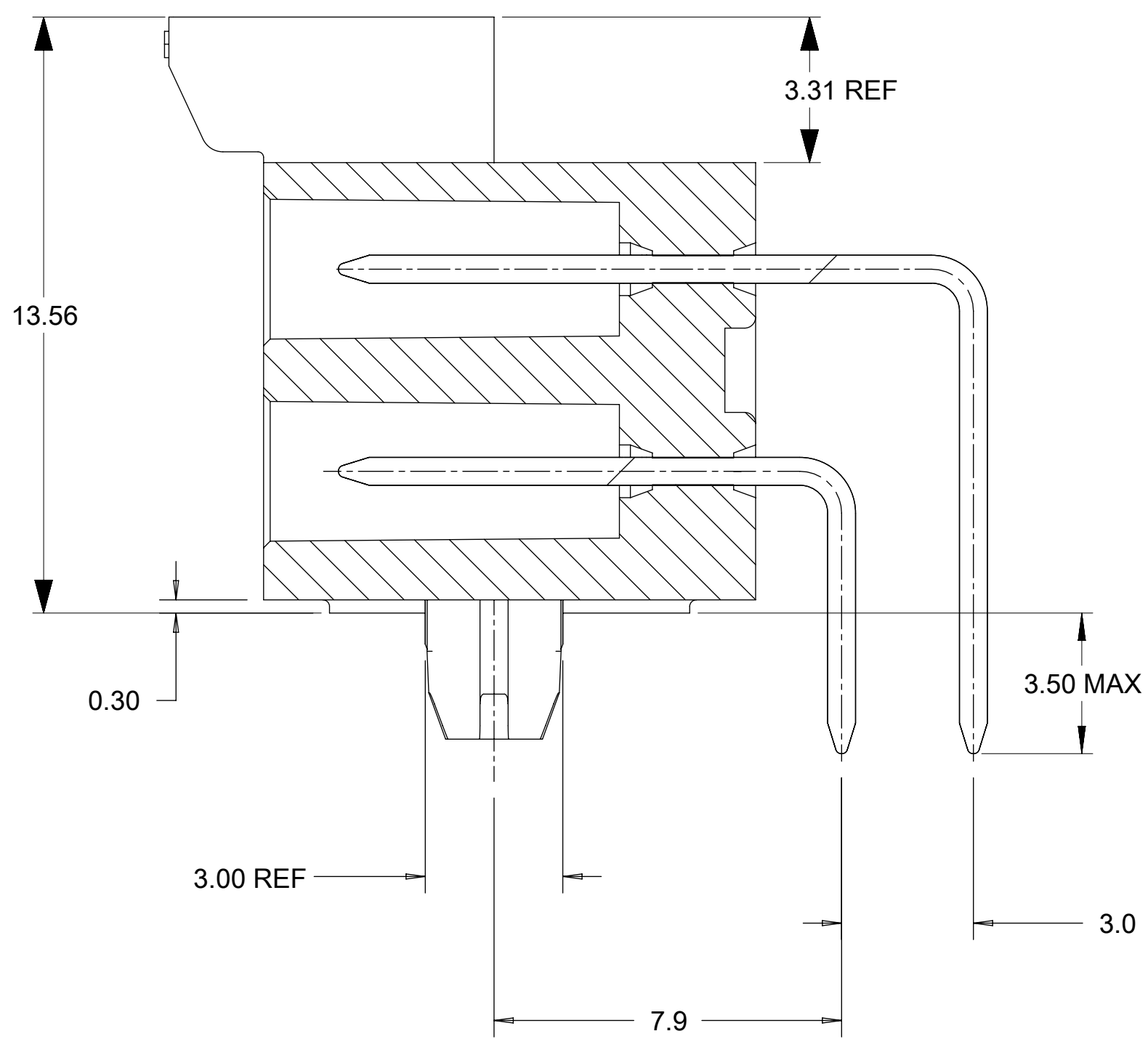
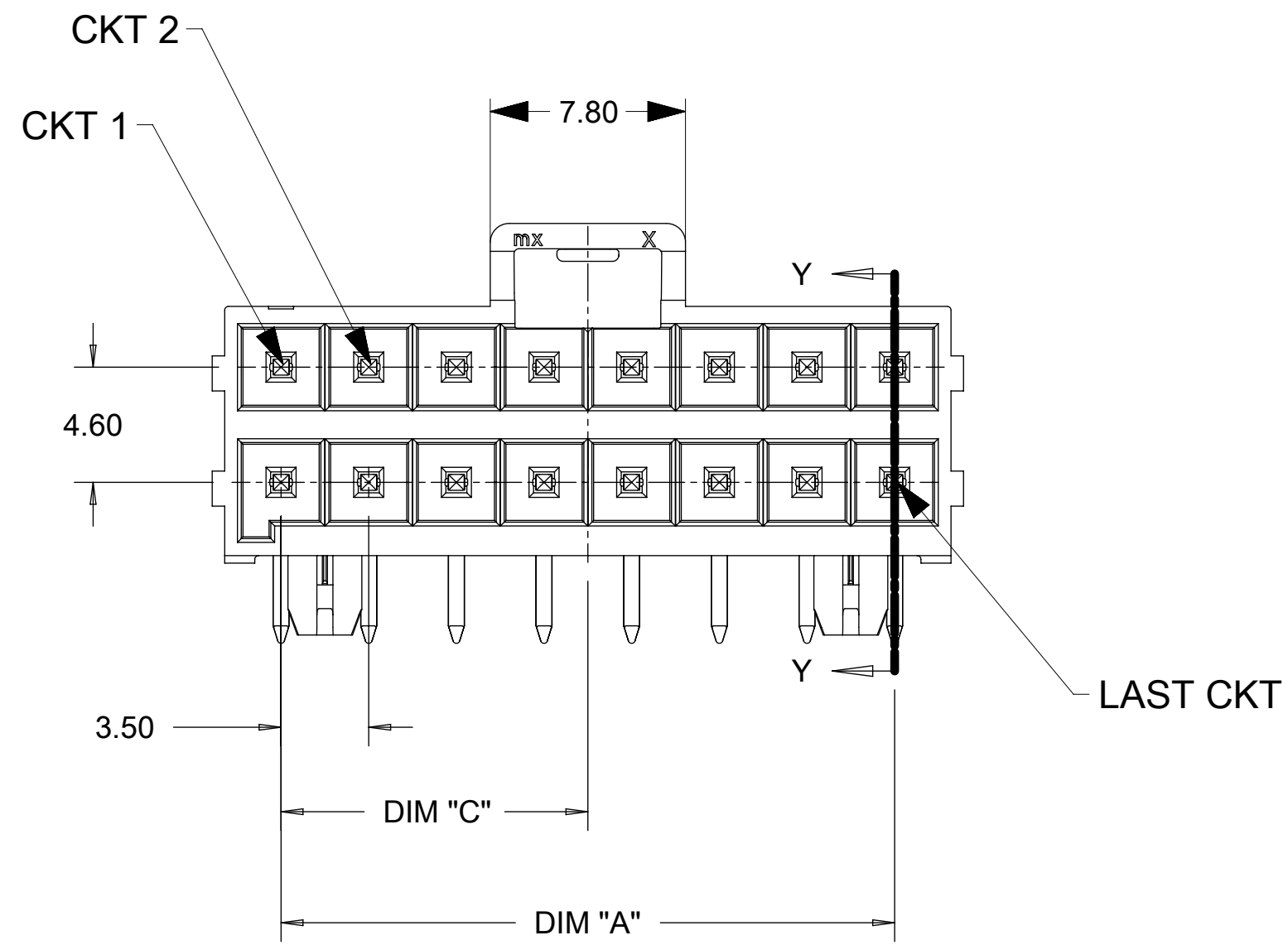


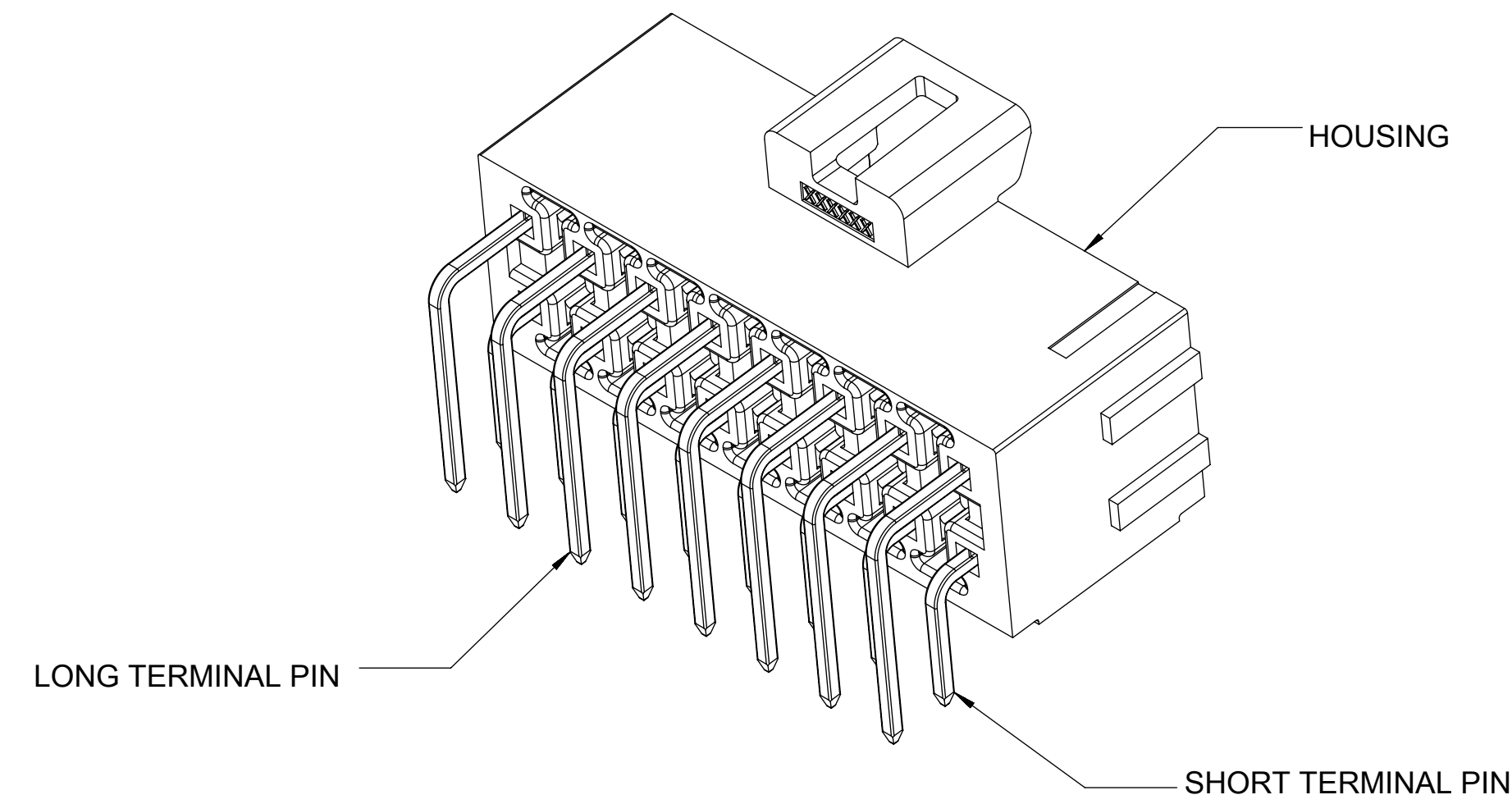
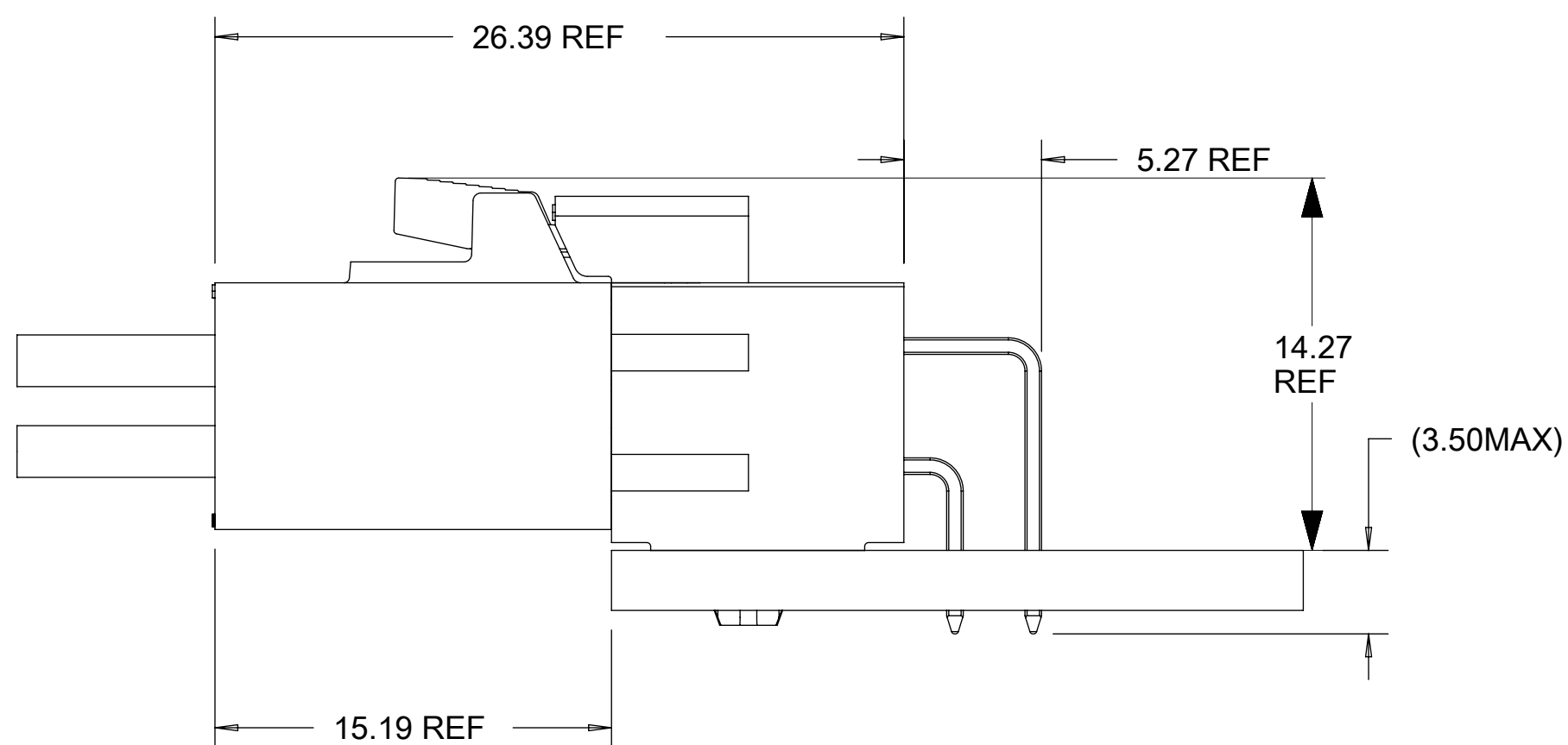
FIRST CIRCUIT MARK
(NOT SHOWING ON 4
AND 6 CIRCUITS SERIES)



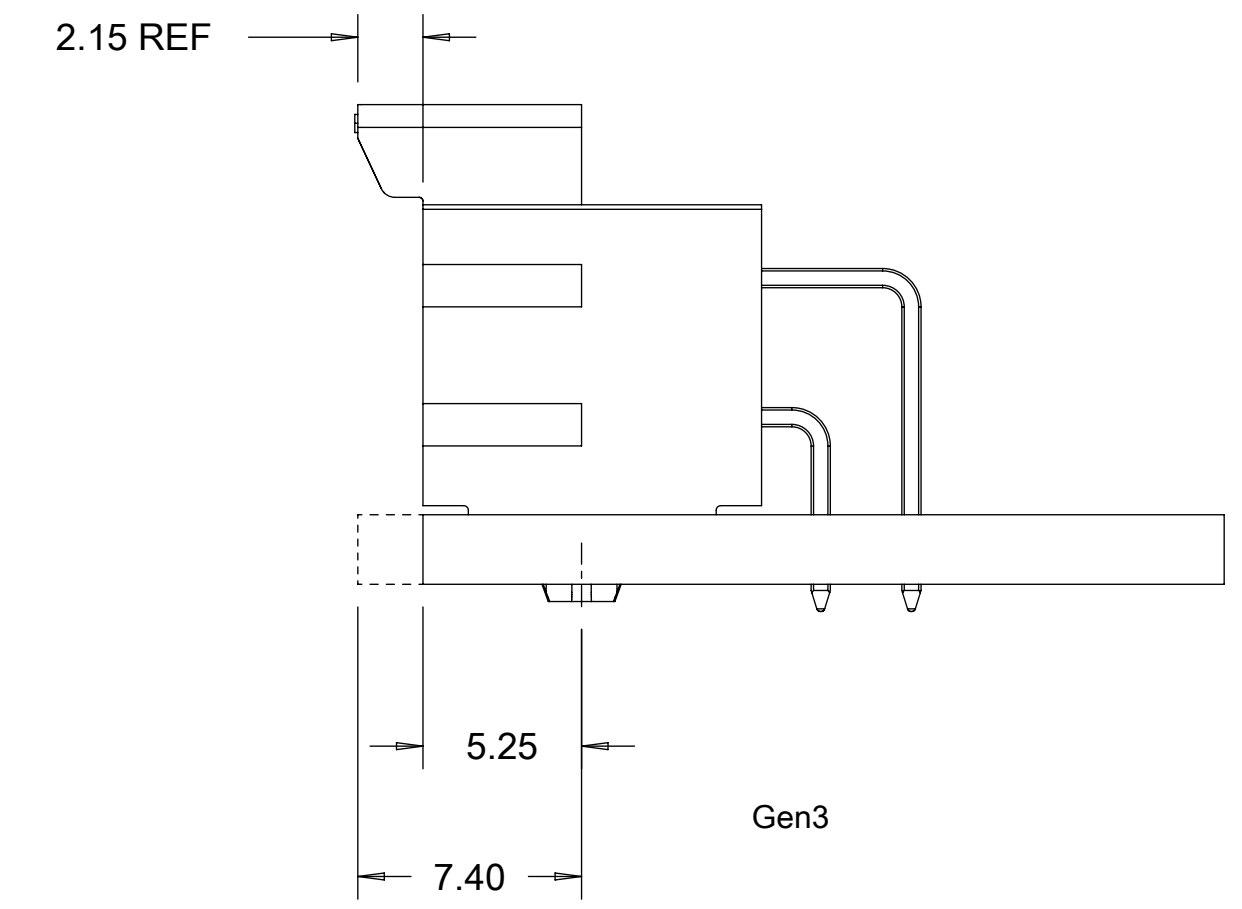
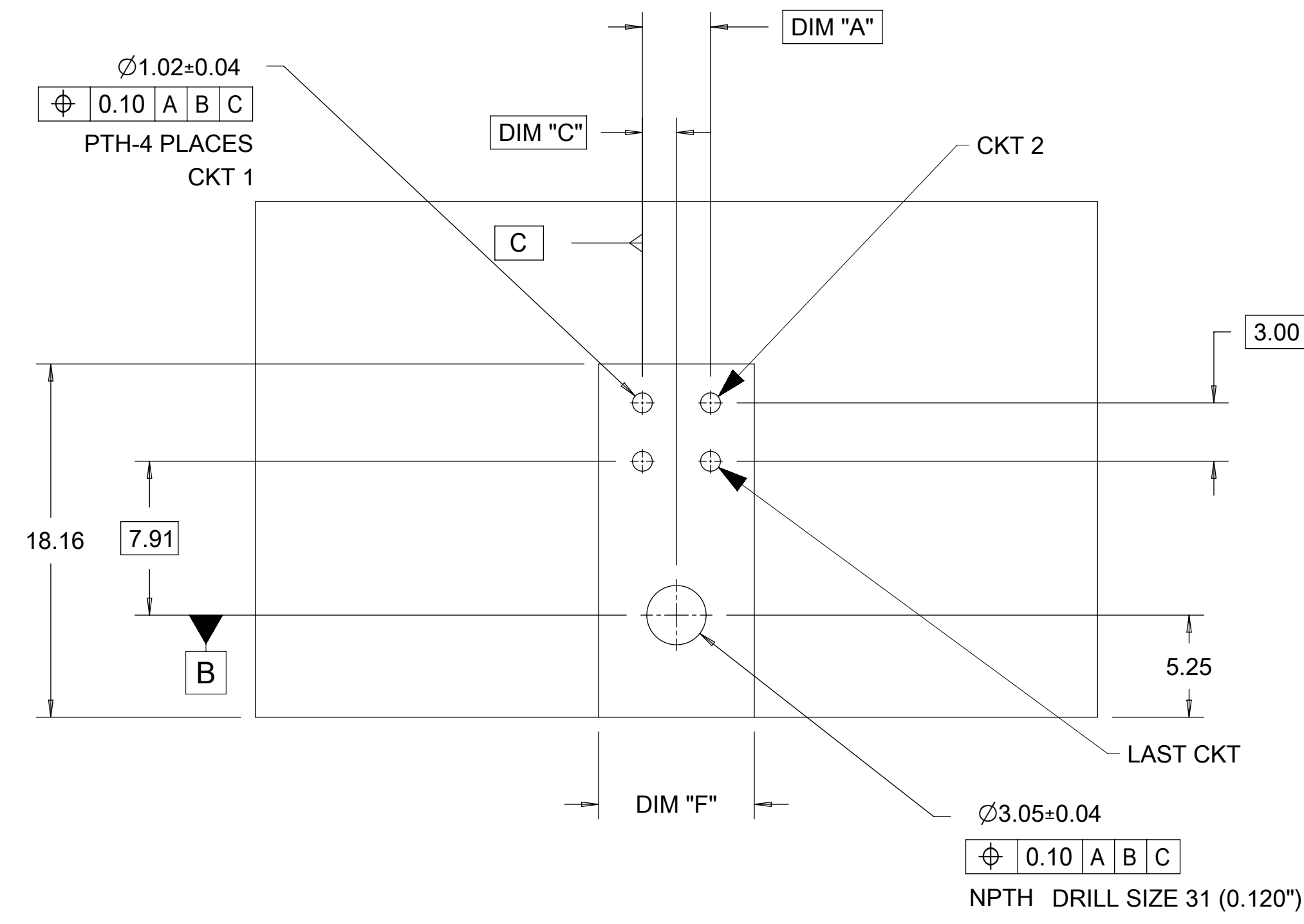
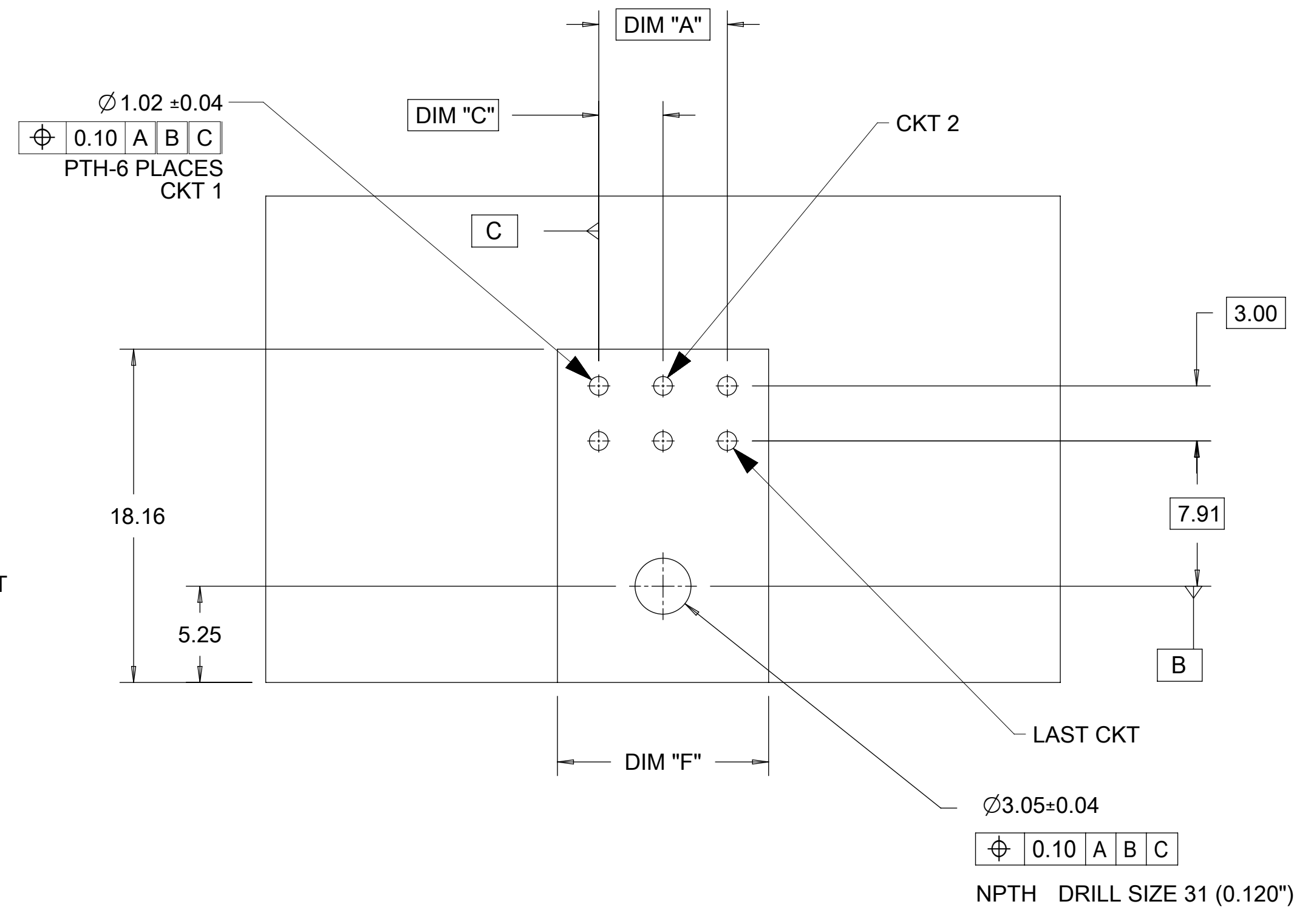
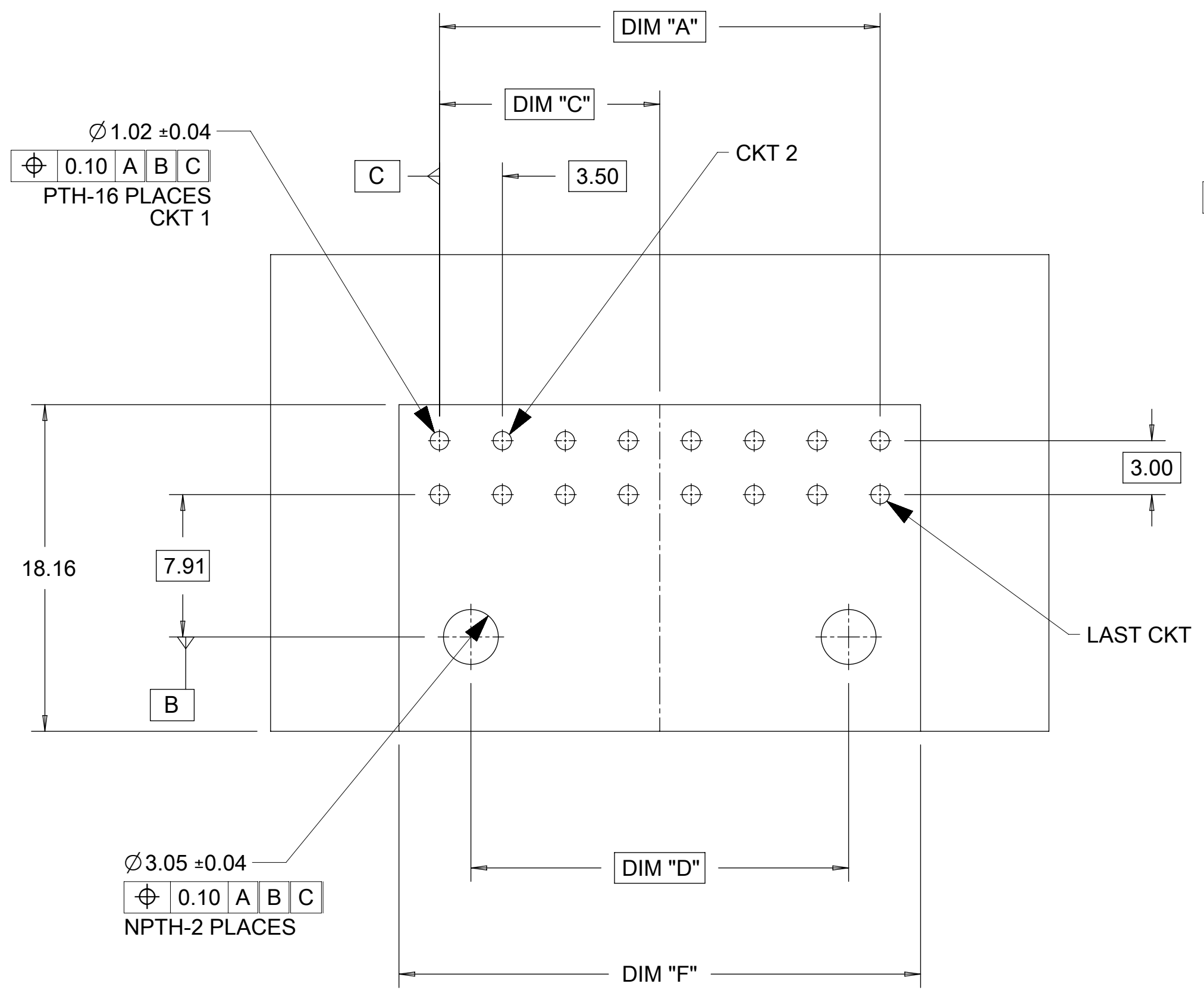
NOTES:

- MATERIAL :
HOUSING
OPTION 1: LCP BLACK, UL94 V-0
OPTION 2: LCP NATURAL, UL94 V-0
TERMINAL: COPPER ALLOY
- PLATING FINISH:
OPTION 1 - 1.5µm(60µin)-2.5µm(100µin) TIN OVER
1.25µm(50µin)-2.5µm(100µin) NICKEL OVERALL
OPTION 2 - 0.35µm(15µin) GOLD CONTACT AREA,
1.5µm(60µin)-2.5µm(100µin) TIN TAIL AREA OVER
1.25µm(50µin)-2.5µm(100µin) NICKEL OVERALL
OPTION 3 - 0.70µm(30µin) GOLD CONTACT AREA,
1.5µm(60µin)-2.5µm(100µin) TIN TAIL AREA OVER
1.25µm(50µin)-2.5µm(100µin) NICKEL OVERALL
- PARTS TO BE PACKAGED PER 1723161114-PK.
- PRODUCT SPECIFICATION PS-172323-0001
- PART MATES WITH MOLEX RECEPTACLE HOUSING 172258 AND 172262
- PART CONFORMS TO CLASS "C" REQUIREMENTS OF SPECIFICATION PS-45499-002 WITH 0.13 MM MAXIMUM FLASH ALLOWED IN CORE HOLES AND FRONT SURFACE.
- DISCOLORATION IN THE BANDOLIER AREA OF THE PIN IS INHERENT TO THE PLATING PROCESS AND IS DUE TO THE MASKING EFFECT OF THE CARRIER. THIS DISCOLORATION IS IN A NON-FUNCTIONAL AREA OF THE PIN AND WILL NOT AFFECT THE PERFORMANCE OF THE HEADER ASSEMBLY.
- ASSEMBLY SPECIFICATION: AS-172323-0001.

SECTION Y-Y
SCALE 8:1



THIS DRAWING CONTAINS INFORMATION THAT IS PROPRIETARY TO MOLEX ELECTRONIC TECHNOLOGIES, LLC AND SHOULD NOT BE USED WITHOUT WRITTEN PERMISSION									
DIMENSION UNITS	SCALE	CURRENT REV DESC: RETRACTED P/N 1723161104.							
mm	1:1	<p>molex</p> <p>ULTRA-FIT R/A HEADER 4-16 CKTS DUAL ROW</p> <p>PRODUCT CUSTOMER DRAWING</p>							
GENERAL TOLERANCES (UNLESS SPECIFIED)									
ANGULAR TOL	± °								
4 PLACES	±								
3 PLACES	±								
2 PLACES	± 0.25	EC NO: 746290	2023/04/14						
1 PLACE	± 0.5	DRWN: SANTHN	2023/04/19						
0 PLACES	±	CHK'D: GGA	2023/04/19						
DRAFT WHERE APPLICABLE MUST REMAIN WITHIN DIMENSIONS		APPR: GGA	2023/04/19						
THIRD ANGLE PROJECTION		INITIAL REVISION:							
D-DRAWING		DRWN: DROSCA	2014/03/06						
SERIES		APPR: JCOMERCI	2014/04/24						
D-SIZE		172316							
MATERIAL NUMBER		SEE TABLE							
CUSTOMER		GENERAL MARKET							
SHEET NUMBER		1 OF 3							



OPTION 1: LATCH FLUSH WITH PCB EDGE
OPTION 2: HOUSING BODY FLUSH WITH PCB EDGE

NOTE: DATUM -A- IS ON COMPONENT SIDE PCB

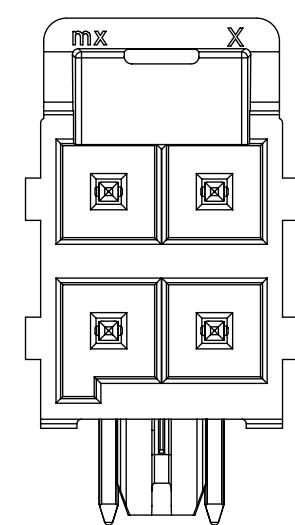
15 MICROINCH GOLD PLATING							
PART NO.	COLOR	CIRCUIT SIZE	KEY OPTION	DIM A	DIM F	DIM C	DIM D
172316-2206	NATURAL	6	KEY B	7.00	11.50	3.50	0.00
172316-2210	NATURAL	10	KEY B	14.00	18.50	7.00	10.50
172316-2216	NATURAL	16	KEY B	24.50	29.00	12.25	21.00

30 MICROINCH GOLD PLATING							
PART NO.	COLOR	CIRCUIT SIZE	KEY OPTION	DIM A	DIM F	DIM C	DIM D
172316-2304	NATURAL	4	KEY B	3.50	8.00	1.75	0.00

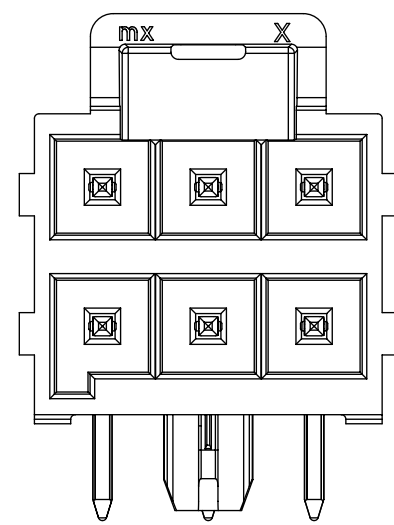
TIN PLATING							
PART NO.	COLOR	CIRCUIT SIZE	KEY OPTION	DIM A	DIM F	DIM C	DIM D
172316-1104	BLACK	4	KEY A	3.50	8.00	1.75	0.00

THIS DRAWING CONTAINS INFORMATION THAT IS PROPRIETARY TO MOLEX ELECTRONIC TECHNOLOGIES, LLC AND SHOULD NOT BE USED WITHOUT WRITTEN PERMISSION

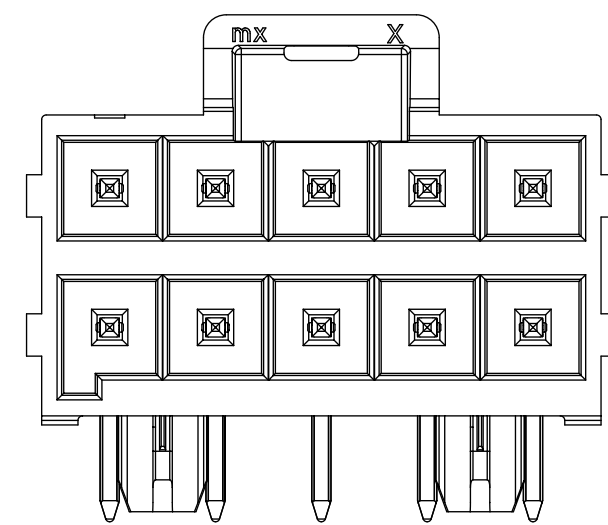
DIMENSION UNITS mm	SCALE 1:1	CURRENT REV DESC: RETRACTED P/N 1723161104.	
GENERAL TOLERANCES (UNLESS SPECIFIED)		<p>molex</p> <p>ULTRA-FIT R/A HEADER 4-16 CKTS DUAL ROW</p> <p>PRODUCT CUSTOMER DRAWING</p>	
ANGULAR TOL	± °		
4 PLACES	±		
3 PLACES	±		
2 PLACES	± 0.25		
1 PLACE	± 0.5	EC NO: 746290	2023/04/14
0 PLACES	±	DRWN: SANTHN	2023/04/19
DRAFT WHERE APPLICABLE MUST REMAIN WITHIN DIMENSIONS		APPR: GGA	2023/04/19
THIRD ANGLE PROJECTION		INITIAL REVISION:	DOCUMENT NUMBER
DRAWING		DRWN: DROSCA	DOC TYPE
SERIES		APPR: JCOMERCI	DOC PART
MATERIAL NUMBER		2014/03/06	REVISION
CUSTOMER		2014/04/24	
SHEET NUMBER		SD-172316-1000	
		PSD	000
		F8	
		SEE TABLE	
		GENERAL MARKET	
			2 OF 3



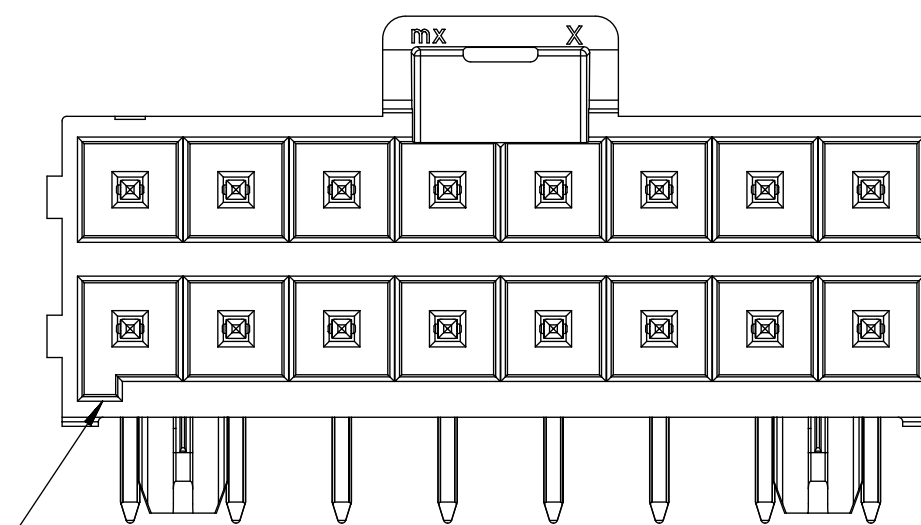
4 CKT



6 CKT

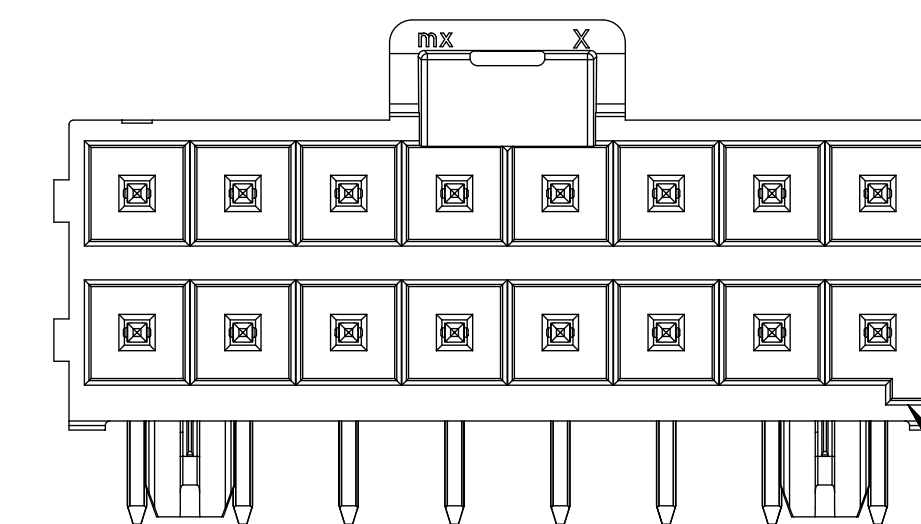


10 CKT



KEY A
(BLACK)

16 CKT



KEY B
(NATURAL)

THIS DRAWING CONTAINS INFORMATION THAT IS PROPRIETARY TO MOLEX ELECTRONIC TECHNOLOGIES, LLC AND SHOULD NOT BE USED WITHOUT WRITTEN PERMISSION											
DIMENSION UNITS	SCALE	CURRENT REV DESC: RETRACTED P/N 1723161104.									
mm	1:1	<div style="text-align: center; font-size: 24pt; font-weight: bold;">molex</div> <p>ULTRA-FIT R/A HEADER 4-16 CKTS DUAL ROW</p> <p>PRODUCT CUSTOMER DRAWING</p>									
GENERAL TOLERANCES (UNLESS SPECIFIED)											
ANGULAR TOL	± °										
4 PLACES	±										
3 PLACES	±										
2 PLACES	± 0.25	EC NO: 746290	2023/04/14								
1 PLACE	± 0.5	DRWN: SANTHN	2023/04/19								
0 PLACES	±	CHK'D: GGA	2023/04/19								
DRAFT WHERE APPLICABLE MUST REMAIN WITHIN DIMENSIONS		THIRD ANGLE PROJECTION		DRAWING	SERIES	MATERIAL NUMBER	CUSTOMER	DOCUMENT NUMBER	DOC TYPE	DOC PART	REVISION
				D-SIZE	172316	SEE TABLE	GENERAL MARKET	SD-172316-1000	PSD	000	F8