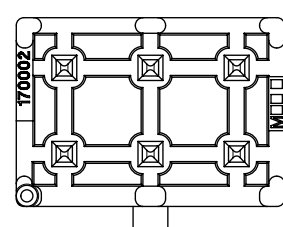
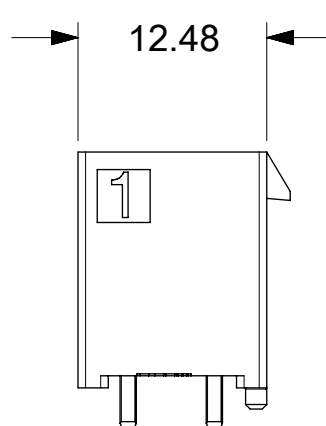
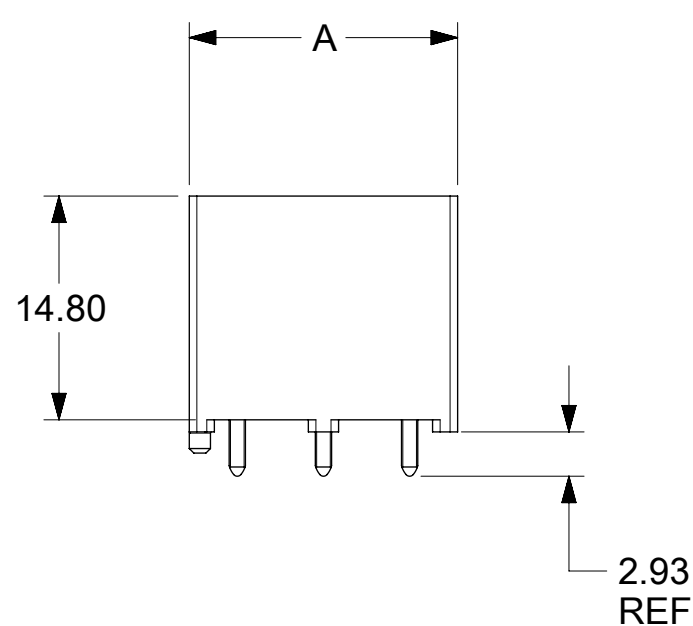


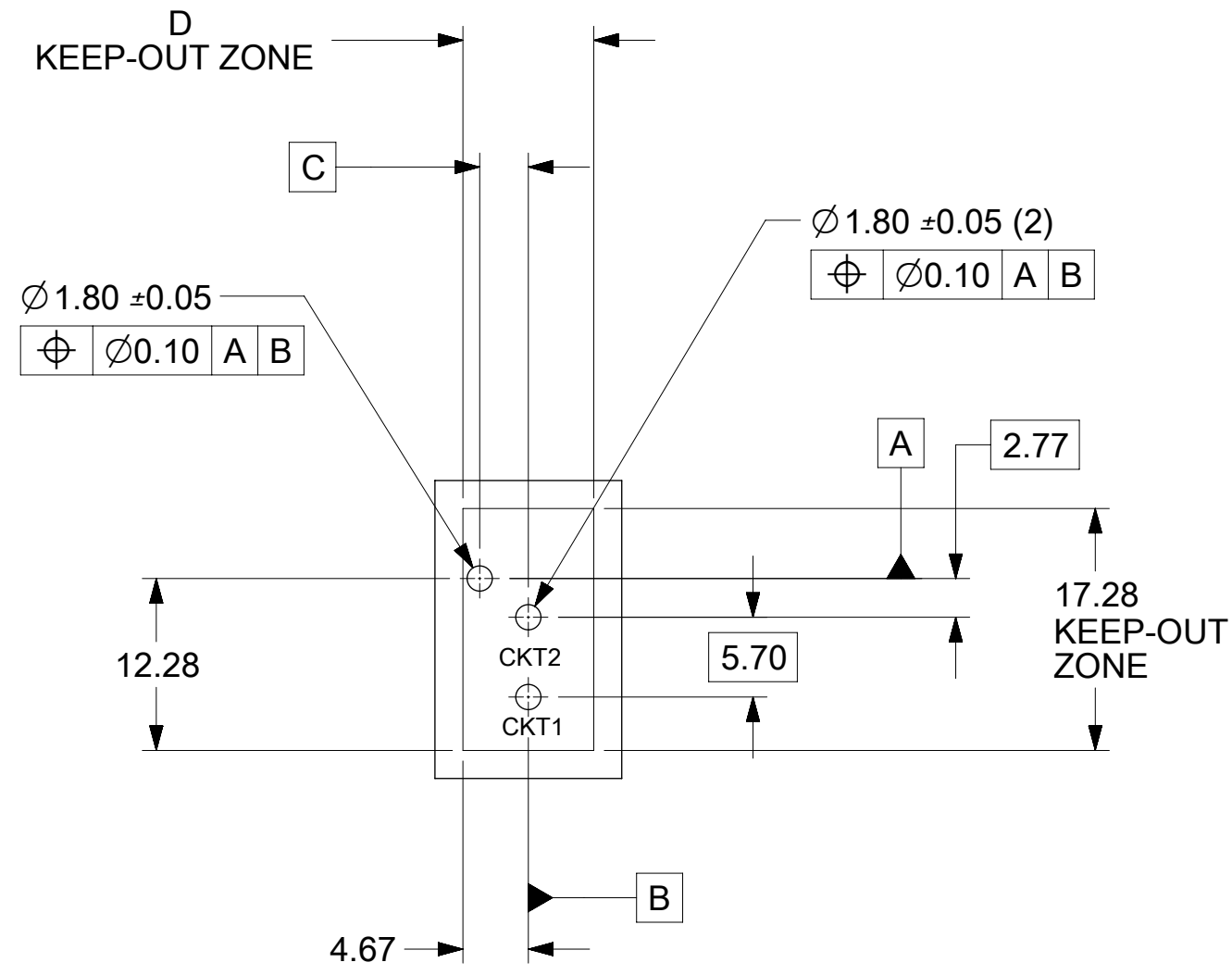
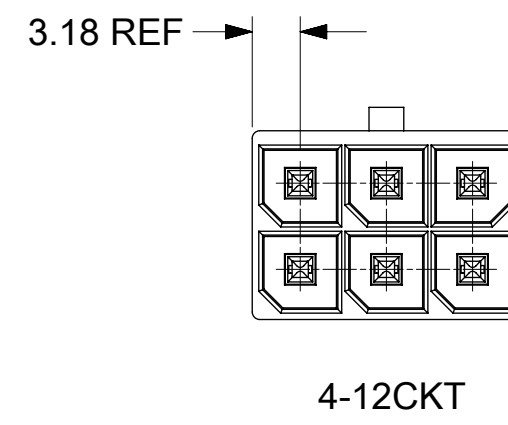
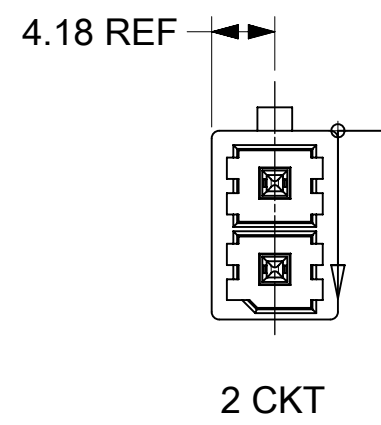
76829-0106 SHOWN



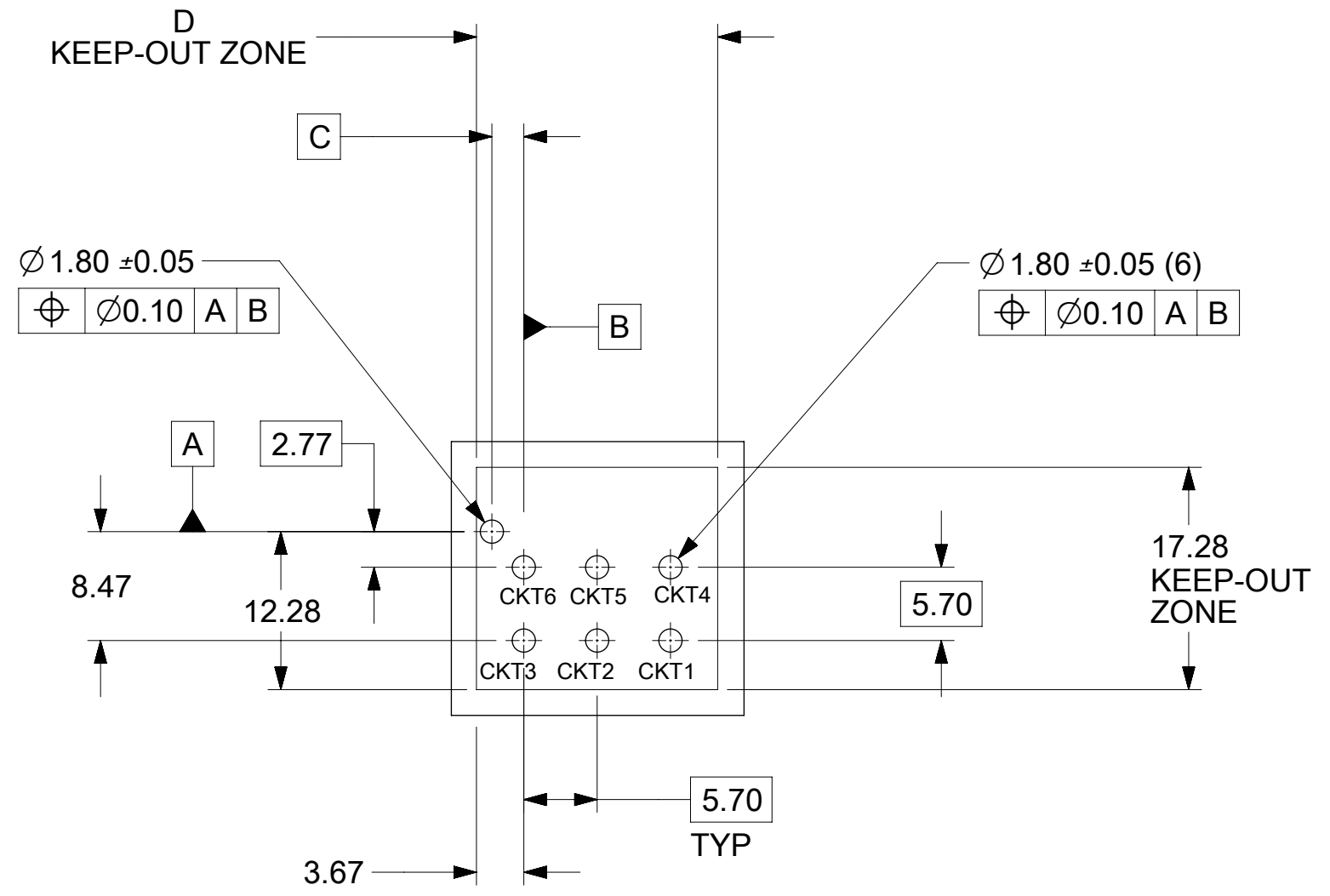
NOTES:

- MATERIAL:
HOUSING: LCP, UL94V-0, GLOW WIRE CAPABLE PER IEC-60335-1 5TH EDITION,
COLOR: SEE CHART.
TERMINAL: HIGH CONDUCTIVITY COPPER.
- TERMINAL PLATING:
(TIN) 1.52 MICROMETER /(60 MICROINCH) MIN REFLOWED MATTE TIN OVER
1.27 MICROMETER /(50 MICROINCH) MIN NICKEL OVERALL.
(15 GOLD) 0.38 MICROMETER /(15 MICROINCH) MIN SELECT GOLD ON CONTACT AREA
2.54 MICROMETER /(100 MICROINCH) MIN SELECT MATTE TIN ON SOLDER AREA
BOTH OVER 1.27 MICROMETER /(50 MICROINCH) MIN NICKEL OVERALL
(30 GOLD) 0.76 MICROMETER /(30 MICROINCH) MIN SELECT GOLD ON CONTACT AREA
2.54 MICROMETER /(100 MICROINCH) MIN SELECT MATTE TIN ON SOLDER AREA
BOTH OVER 1.27 MICROMETER /(50 MICROINCH) MIN NICKEL OVERALL
- PRODUCT SPECIFICATION:PS-76823-100/1720631000-PS
- BLACK PART MATES WITH MOLEX PART NUMBER 170001 AND 171692 SERIES.
NON-BLACK PART MATES WITH MOLEX PART NUMBER 224983 SERIES.
- PACKAGING SPECIFICATION:768291100 (TRAY) , 1720659206-PK (T & R), AND 1720658000 (T&R W/ KAPTON)
- APPLICATION SPECIFICATION:AS-76823-100/ 768232000-AS
- PARTS CONFORM TO CLASS "B" REQUIREMENTS OF COSMETIC SPECIFICATION PS-45499-002.

| | | | | | | | | | |
|-----------------------------------------------------------------------------------------------------------------------------------------------|--|-------|--|---------------------------|--|----------------|--|---------------------------------------------------------------|--|
| THIS DRAWING CONTAINS INFORMATION THAT IS PROPRIETARY TO MOLEX ELECTRONIC TECHNOLOGIES, LLC AND SHOULD NOT BE USED WITHOUT WRITTEN PERMISSION | | | | | | | | | |
| DIMENSION UNITS | | SCALE | | CURRENT REV DESC: | | | | molex | |
| mm | | NTS | | | | | | | |
| GENERAL TOLERANCES (UNLESS SPECIFIED) | | | | EC NO: 789500 | | | | MEGAFIT SLIM VERTICAL HEADER ASSY WITHOUT CRUSH PEGS 2-12 CKT | |
| ANGULAR TOL ± 3.0° | | | | DRWN: JERRYW8 2023/05/17 | | | | | |
| 4 PLACES ± | | | | CHK'D: XQZHANG 2024/06/18 | | | | PRODUCT CUSTOMER DRAWING | |
| 3 PLACES ± | | | | APPR: XQZHANG 2024/06/18 | | | | | |
| 2 PLACES ± 0.4 | | | | INITIAL REVISION: | | | | DOCUMENT NUMBER | |
| 1 PLACE ± 0.5 | | | | DRWN: GSHARMA 2016/07/15 | | | | | |
| 0 PLACES ± | | | | APPR: KPRASAD 2017/07/21 | | | | 768290002 | |
| DRAFT WHERE APPLICABLE MUST REMAIN WITHIN DIMENSIONS | | | | THIRD ANGLE PROJECTION | | DRAWING | | SERIES | |
| | | | | | | C-SIZE | | 76829 | |
| DOCUMENT STATUS | | | | MATERIAL NUMBER | | CUSTOMER | | SHEET NUMBER | |
| P1 | | | | SEE TABLE | | GENERAL MARKET | | 1 OF 4 | |
| RELEASE DATE | | | | DOC TYPE | | DOC PART | | REVISION | |
| 2024/06/18 06:39:50 | | | | PSD | | 000 | | B | |



PCB LAYOUT: COMPONENT SIDE
RECOMENDED PCB THICKNESS: 1.58 MM/.062 INCH



PCB LAYOUT: COMPONENT SIDE
RECOMENDED PCB THICKNESS: 1.58 MM/.062 INCH

| | | | | | | | | | |
|-----------------------------------------------------------------------------------------------------------------------------------------------|--|------------------------|--|---------------------------|--|----------------|--|------------------------------------------------------------------|--|
| THIS DRAWING CONTAINS INFORMATION THAT IS PROPRIETARY TO MOLEX ELECTRONIC TECHNOLOGIES, LLC AND SHOULD NOT BE USED WITHOUT WRITTEN PERMISSION | | | | | | | | | |
| DIMENSION UNITS | | SCALE | | CURRENT REV DESC: | | | | molex | |
| mm | | NTS | | | | | | | |
| GENERAL TOLERANCES (UNLESS SPECIFIED) | | | | EC NO: 789500 | | | | MEGAFIT SLIM VERTICAL HEADER ASSY WITHOUT CRUSH PEGS 2-12 CKT | |
| ANGULAR TOL ± 3.0° | | | | DRWN: JERRYW8 2023/05/17 | | | | | |
| 4 PLACES ± | | | | CHK'D: XQZHANG 2024/06/18 | | | | PRODUCT CUSTOMER DRAWING | |
| 3 PLACES ± | | | | APPR: XQZHANG 2024/06/18 | | | | | |
| 2 PLACES ± 0.4 | | | | INITIAL REVISION: | | | | DOCUMENT NUMBER | |
| 1 PLACE ± 0.5 | | | | DRWN: GSHARMA 2016/07/15 | | | | 768290002 | |
| 0 PLACES ± | | | | APPR: KPRASAD 2017/07/21 | | | | PSD 000 B | |
| DRAFT WHERE APPLICABLE MUST REMAIN WITHIN DIMENSIONS | | THIRD ANGLE PROJECTION | | DRAWING | | SERIES | | MATERIAL NUMBER | |
| | | | | C-SIZE | | 76829 | | SEE TABLE | |
| | | | | CUSTOMER | | GENERAL MARKET | | SHEET NUMBER | |
| | | | | | | | | 2 OF 4 | |

| CKT | POLARIZATION-BALCK | POLARIZATION-NATURAL | POLARIZATION-RED | POLARIZATION-BLUE | POLARIZATION-YELLOW |
|--------|--------------------|----------------------|------------------|-------------------|---------------------|
| 2 CKT | | | | | |
| 4 CKT | | | | | |
| 6 CKT | | | | | |
| 8 CKT | | | | | |
| 10 CKT | | | | | |
| 12 CKT | | | | | |

THIS DRAWING CONTAINS INFORMATION THAT IS PROPRIETARY TO MOLEX ELECTRONIC TECHNOLOGIES, LLC AND SHOULD NOT BE USED WITHOUT WRITTEN PERMISSION

| | | | |
|------------------------------------------------------|--------|------------------------|----------------|
| DIMENSION UNITS | SCALE | CURRENT REV DESC: | |
| mm | NTS | | |
| GENERAL TOLERANCES (UNLESS SPECIFIED) | | | |
| ANGULAR TOL | ± 3.0° | | |
| 4 PLACES | ± | EC NO: 789500 | |
| 3 PLACES | ± | DRWN: JERRYW8 | 2023/05/17 |
| 2 PLACES | ± 0.4 | CHK'D: XQZHANG | 2024/06/18 |
| 1 PLACE | ± 0.5 | APPR: XQZHANG | 2024/06/18 |
| 0 PLACES | ± | INITIAL REVISION: | |
| DRAFT WHERE APPLICABLE MUST REMAIN WITHIN DIMENSIONS | | DRWN: GSHARMA | 2016/07/15 |
| | | APPR: KPRASAD | 2017/07/21 |
| | | THIRD ANGLE PROJECTION | DRAWING SERIES |
| | | | C-SIZE 76829 |

| | | | |
|------------------------------------------------------------------|----------------|--------------|----------|
| molex | | | |
| MEGAFIT SLIM VERTICAL HEADER ASSY WITHOUT CRUSH PEGS 2-12 CKT | | | |
| PRODUCT CUSTOMER DRAWING | | | |
| DOCUMENT NUMBER | DOC TYPE | DOC PART | REVISION |
| 768290002 | PSD | 000 | B |
| MATERIAL NUMBER | CUSTOMER | SHEET NUMBER | |
| SEE TABLE | GENERAL MARKET | 3 OF 4 | |

| CKT SIZE | PART NO. | PLATING | DIM A | DIM C BASIC | DIM D | PK SPEC | HEADER COLOR |
|----------|-------------|---------|-------|-------------|-------|---------|--------------|
| 2 | 76829-0102 | TIN | 8.35 | 3.48 | 9.35 | TRAY | BLACK |
| 4 | 76829-0104 | TIN | 12.05 | 2.48 | 13.05 | | |
| 6 | 76829-0106 | TIN | 17.75 | 2.48 | 18.75 | | |
| 8 | 76829-0108 | TIN | 23.45 | 2.48 | 24.45 | | |
| 10 | 76829-0110 | TIN | 29.15 | 2.48 | 30.15 | | |
| 12 | 76829-0112 | TIN | 34.85 | 2.48 | 35.85 | | |
| 2 | 172065-0202 | 15 GOLD | 8.35 | 3.48 | 9.35 | | |
| 4 | 172065-0204 | 15 GOLD | 12.05 | 2.48 | 13.05 | | |
| 6 | 172065-0206 | 15 GOLD | 17.75 | 2.48 | 18.75 | | |
| 8 | 172065-0208 | 15 GOLD | 23.45 | 2.48 | 24.45 | | |
| 10 | 172065-0210 | 15 GOLD | 29.15 | 2.48 | 30.15 | | |
| 12 | 172065-0212 | 15 GOLD | 34.85 | 2.48 | 35.85 | | |
| 2 | 172065-0302 | 30 GOLD | 8.35 | 3.48 | 9.35 | | |
| 4 | 172065-0304 | 30 GOLD | 12.05 | 2.48 | 13.05 | | |
| 6 | 172065-0306 | 30 GOLD | 17.75 | 2.48 | 18.75 | | |
| 8 | 172065-0308 | 30 GOLD | 23.45 | 2.48 | 24.45 | | |
| 10 | 172065-0310 | 30 GOLD | 29.15 | 2.48 | 30.15 | | |
| 12 | 172065-0312 | 30 GOLD | 34.85 | 2.48 | 35.85 | | |

| CKT SIZE | PART NO. | PLATING | DIM A | DIM C BASIC | DIM D | PK SPEC | HEADER COLOR | |
|----------|----------|-------------|---------|-------------|-------|--------------------------|--------------|-------|
| * | 2 | 76829-9102 | TIN | 8.35 | 3.48 | TAPE&REEL WITHOUT KAPTON | BLACK | |
| * | 4 | 76829-9104 | TIN | 12.05 | 2.48 | | | 13.05 |
| * | 6 | 76829-9106 | TIN | 17.75 | 2.48 | | | 18.75 |
| * | 8 | 76829-9108 | TIN | 23.45 | 2.48 | | | 24.45 |
| * | 10 | 76829-9110 | TIN | 29.15 | 2.48 | | | 30.15 |
| * | 12 | 76829-9112 | TIN | 34.85 | 2.48 | | | 35.85 |
| * | 2 | 172065-9202 | 15 GOLD | 8.35 | 3.48 | | | 9.35 |
| * | 4 | 172065-9204 | 15 GOLD | 12.05 | 2.48 | | | 13.05 |
| * | 6 | 172065-9206 | 15 GOLD | 17.75 | 2.48 | | | 18.75 |
| * | 8 | 172065-9208 | 15 GOLD | 23.45 | 2.48 | | | 24.45 |
| * | 10 | 172065-9210 | 15 GOLD | 29.15 | 2.48 | | | 30.15 |
| * | 12 | 172065-9212 | 15 GOLD | 34.85 | 2.48 | | | 35.85 |
| * | 2 | 172065-9302 | 30 GOLD | 8.35 | 3.48 | | | 9.35 |
| * | 4 | 172065-9304 | 30 GOLD | 12.05 | 2.48 | | | 13.05 |
| * | 6 | 172065-9306 | 30 GOLD | 17.75 | 2.48 | | | 18.75 |
| * | 8 | 172065-9308 | 30 GOLD | 23.45 | 2.48 | | | 24.45 |
| * | 10 | 172065-9310 | 30 GOLD | 29.15 | 2.48 | | | 30.15 |
| * | 12 | 172065-9312 | 30 GOLD | 34.85 | 2.48 | | | 35.85 |

| CKT SIZE | PART NO. | PLATING | DIM A | DIM C BASIC | DIM D | PK SPEC | HEADER COLOR |
|----------|-------------|---------|-------|-------------|--------|---------|--------------|
| 2 | 172065-2102 | TIN | 8.35 | 3.48 | 9.35 | TRAY | NATURAL |
| 4 | 172065-2104 | | 12.05 | 2.48 | 13.05 | | |
| 6 | 172065-2106 | | 17.75 | 2.48 | 18.75 | | |
| 8 | 172065-2108 | | 23.45 | 2.48 | 24.45 | | |
| 10 | 172065-2110 | | 29.15 | 2.48 | 30.15 | | |
| 12 | 172065-2112 | | 34.85 | 2.48 | 35.85 | | |
| 2 | 172065-3102 | | 8.35 | 3.48 | 9.35 | | RED |
| 4 | 172065-3104 | | 12.05 | 2.48 | 13.05 | | |
| 6 | 172065-3106 | | 17.75 | 2.48 | 18.75 | | |
| 8 | 172065-3108 | | 23.45 | 2.48 | 24.45 | | |
| 10 | 172065-3110 | | 29.15 | 2.48 | 30.15 | | |
| 12 | 172065-3112 | | 34.85 | 2.48 | 35.85 | | |
| 2 | 172065-4102 | 8.35 | 3.48 | 9.35 | BLUE | | |
| 4 | 172065-4104 | 12.05 | 2.48 | 13.05 | | | |
| 6 | 172065-4106 | 17.75 | 2.48 | 18.75 | | | |
| 8 | 172065-4108 | 23.45 | 2.48 | 24.45 | | | |
| 10 | 172065-4110 | 29.15 | 2.48 | 30.15 | | | |
| 12 | 172065-4112 | 34.85 | 2.48 | 35.85 | | | |
| 2 | 172065-5102 | 8.35 | 3.48 | 9.35 | YELLOW | | |
| 4 | 172065-5104 | 12.05 | 2.48 | 13.05 | | | |
| 6 | 172065-5106 | 17.75 | 2.48 | 18.75 | | | |
| 8 | 172065-5108 | 23.45 | 2.48 | 24.45 | | | |
| 10 | 172065-5110 | 29.15 | 2.48 | 30.15 | | | |
| 12 | 172065-5112 | 34.85 | 2.48 | 35.85 | | | |

| CKT SIZE | PART NO. | PLATING | DIM A | DIM C BASIC | DIM D | PK SPEC | HEADER COLOR | |
|----------|----------|-------------|---------|-------------|-------|-----------------------|--------------|-------|
| * | 2 | 76829-8102 | TIN | 8.35 | 3.48 | TAPE&REEL WITH KAPTON | BLACK | |
| * | 4 | 76829-8104 | TIN | 12.05 | 2.48 | | | 13.05 |
| * | 6 | 76829-8106 | TIN | 17.75 | 2.48 | | | 18.75 |
| * | 8 | 76829-8108 | TIN | 23.45 | 2.48 | | | 24.45 |
| * | 10 | 76829-8110 | TIN | 29.15 | 2.48 | | | 30.15 |
| * | 12 | 76829-8112 | TIN | 34.85 | 2.48 | | | 35.85 |
| * | 2 | 172065-8202 | 15 GOLD | 8.35 | 3.48 | | | 9.35 |
| * | 4 | 172065-8204 | 15 GOLD | 12.05 | 2.48 | | | 13.05 |
| * | 6 | 172065-8206 | 15 GOLD | 17.75 | 2.48 | | | 18.75 |
| * | 8 | 172065-8208 | 15 GOLD | 23.45 | 2.48 | | | 24.45 |
| * | 10 | 172065-8210 | 15 GOLD | 29.15 | 2.48 | | | 30.15 |
| * | 12 | 172065-8212 | 15 GOLD | 34.85 | 2.48 | | | 35.85 |
| * | 2 | 172065-8302 | 30 GOLD | 8.35 | 3.48 | | | 9.35 |
| * | 4 | 172065-8304 | 30 GOLD | 12.05 | 2.48 | | | 13.05 |
| * | 6 | 172065-8306 | 30 GOLD | 17.75 | 2.48 | | | 18.75 |
| * | 8 | 172065-8308 | 30 GOLD | 23.45 | 2.48 | | | 24.45 |
| * | 10 | 172065-8310 | 30 GOLD | 29.15 | 2.48 | | | 30.15 |
| * | 12 | 172065-8312 | 30 GOLD | 34.85 | 2.48 | | | 35.85 |

* DESIGNATES PART NOT RELEASED
CONTACT FACTORY FOR AVAILABILITY.

| | | | | | | | | | |
|-----------------------------------------------------------------------------------------------------------------------------------------------|--|------------------------|--|---------------------------|--|----------------|--|---------------------------------------------------------------|--|
| THIS DRAWING CONTAINS INFORMATION THAT IS PROPRIETARY TO MOLEX ELECTRONIC TECHNOLOGIES, LLC AND SHOULD NOT BE USED WITHOUT WRITTEN PERMISSION | | | | | | | | | |
| DIMENSION UNITS | | SCALE | | CURRENT REV DESC: | | | | molex | |
| mm | | NTS | | | | | | | |
| GENERAL TOLERANCES (UNLESS SPECIFIED) | | | | EC NO: 789500 | | | | MEGAFIT SLIM VERTICAL HEADER ASSY WITHOUT CRUSH PEGS 2-12 CKT | |
| ANGULAR TOL ± 3.0° | | | | DRWN: JERRYW8 2023/05/17 | | | | | |
| 4 PLACES ± | | | | CHK'D: XQZHANG 2024/06/18 | | | | PRODUCT CUSTOMER DRAWING | |
| 3 PLACES ± | | | | APPR: XQZHANG 2024/06/18 | | | | | |
| 2 PLACES ± 0.4 | | | | INITIAL REVISION: | | | | DOCUMENT NUMBER | |
| 1 PLACE ± 0.5 | | | | DRWN: GSHARMA 2016/07/15 | | | | 768290002 | |
| 0 PLACES ± | | | | APPR: KPRASAD 2017/07/21 | | | | PSD 000 B | |
| DRAFT WHERE APPLICABLE MUST REMAIN WITHIN DIMENSIONS | | THIRD ANGLE PROJECTION | | DRAWING | | SERIES | | MATERIAL NUMBER | |
| | | | | C-SIZE | | 76829 | | SEE TABLE | |
| | | | | | | GENERAL MARKET | | SHEET NUMBER | |
| | | | | | | | | 4 OF 4 | |