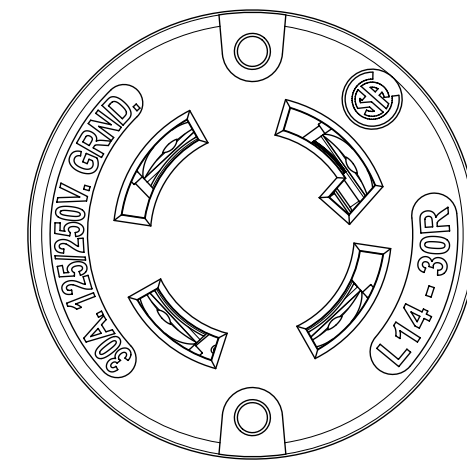
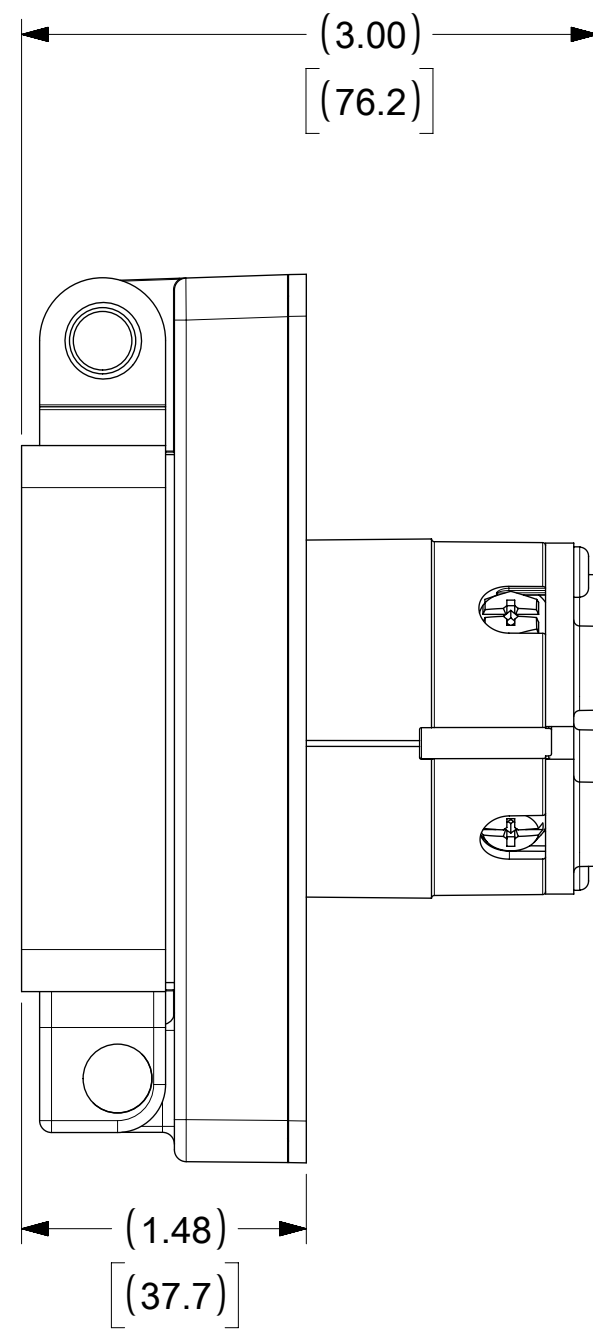
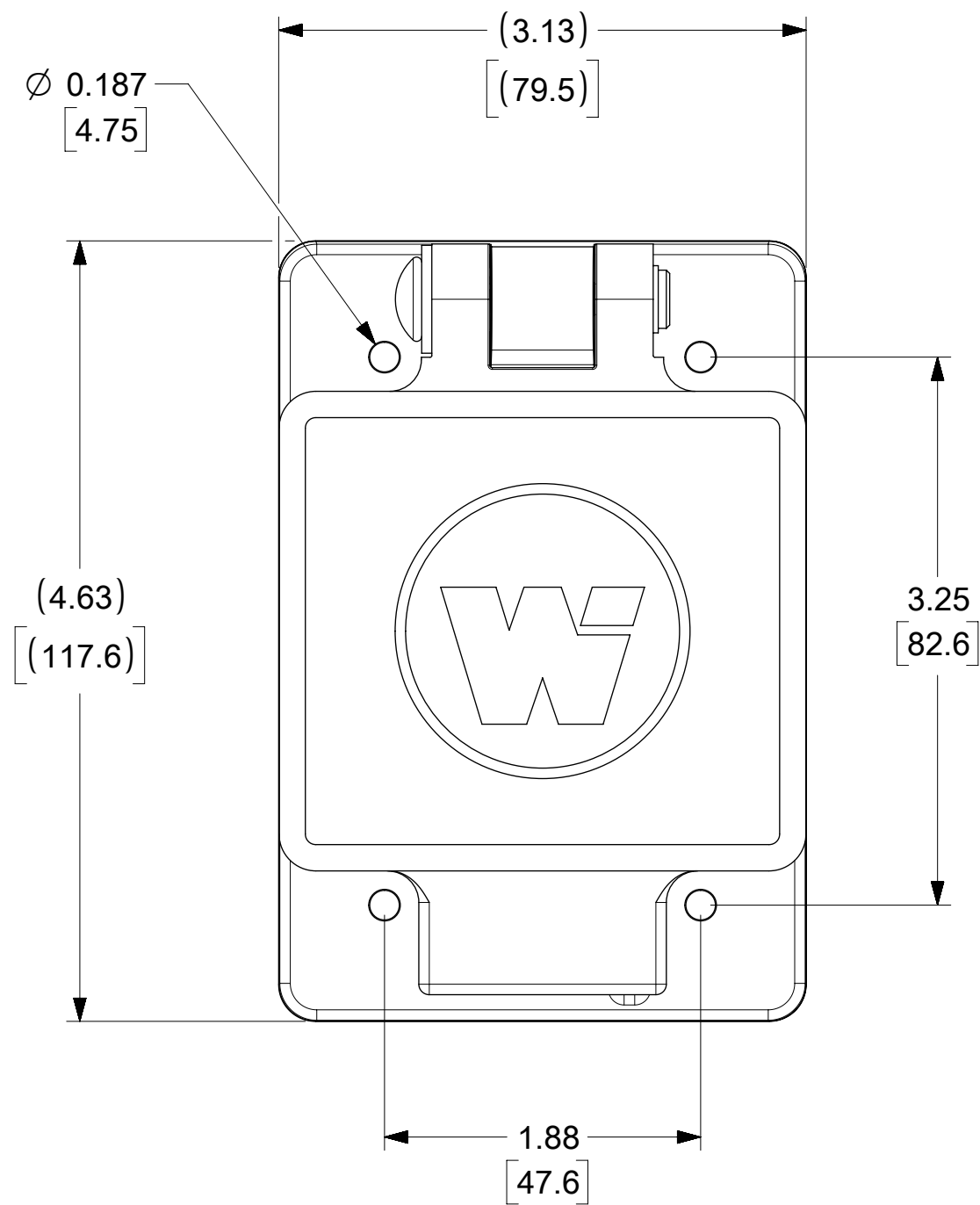
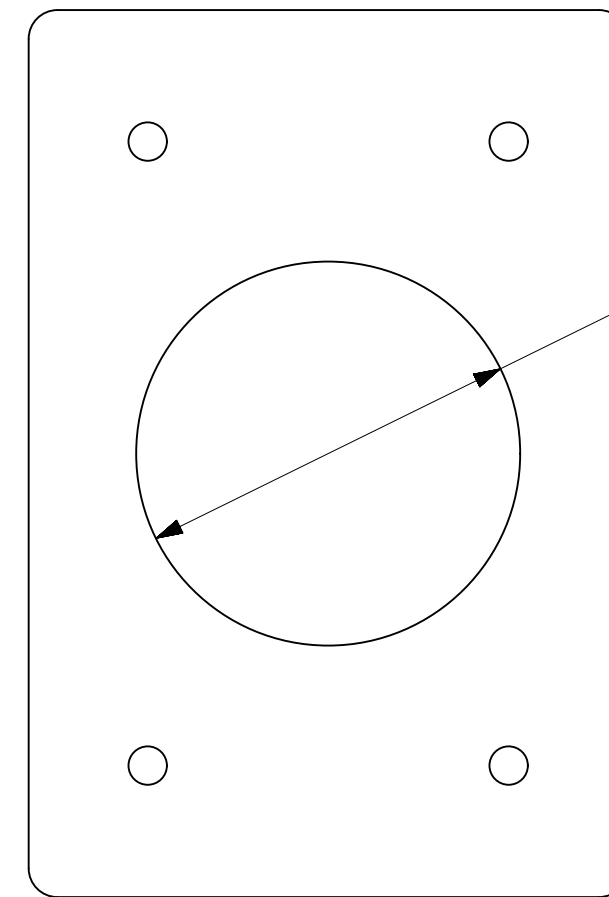
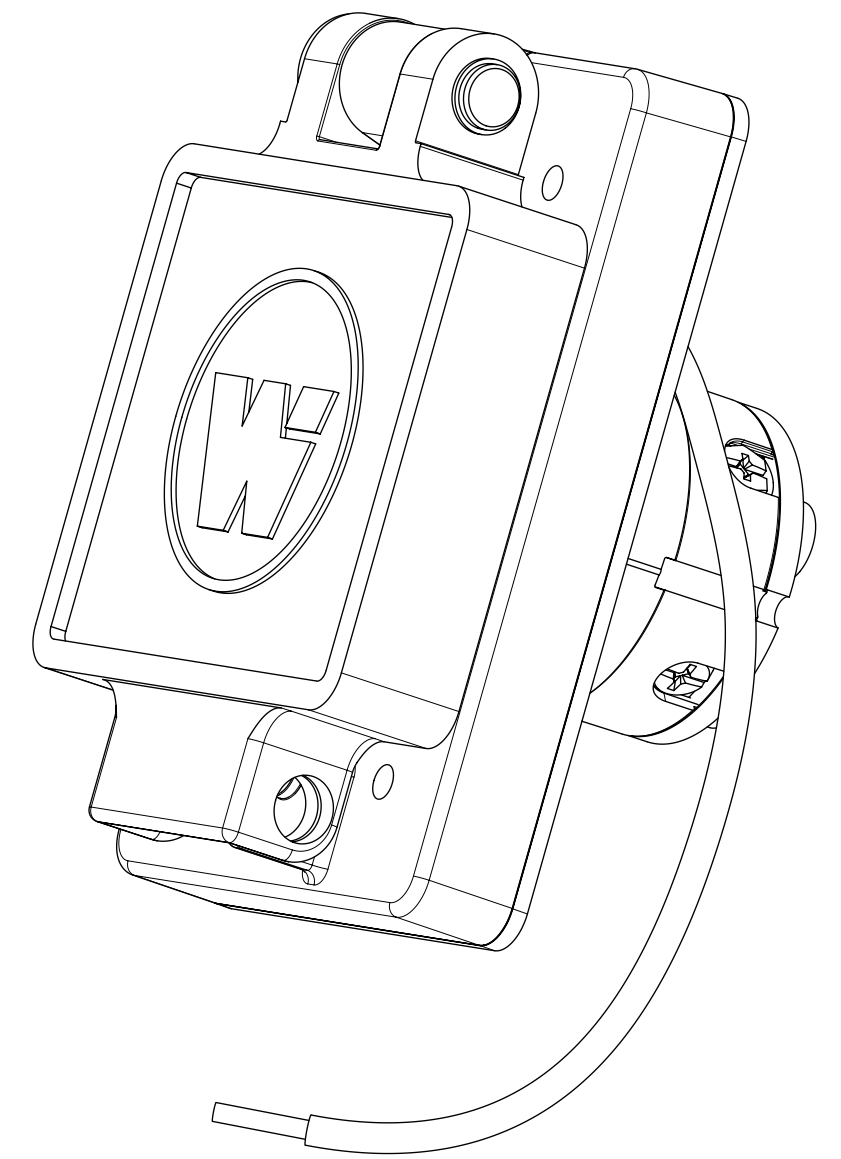


ORDER NO.	WOODHEAD NO.	COLOR
130147-0173	69W74	YELLOW



FACE VIEW



CLEARANCE HOLE
(FOR PANEL MOUNT)

DESCRIPTION	MATERIAL	QTY.
BLADES	BRASS, NICKEL PLATED	3
RETAINING SCREWS	STAINLESS STEEL	3
CLAMP AND TERMINAL SCREW ASSY.	BRASS, ZINC PLATED	3
FEMALE INSERT	NYLON	1
TERMINAL COVER	POLYCARBONATE	1
COVER ASSEMBLY	POLYCARBONATE, STAINLESS STEEL, ALUMINUM	1
GASKET FLIP	NEOPRENE	1
SUPPORT PLATE	STAINLESS STEEL	1
SCREW (GROUND WIRE)	STAINLESS STEEL	1
JUMPER WIRE ASSY	COPPER, BRASS (TINNED FINISH)	1

THIS DRAWING CONTAINS INFORMATION THAT IS PROPRIETARY TO MOLEX ELECTRONIC TECHNOLOGIES, LLC AND SHOULD NOT BE USED WITHOUT WRITTEN PERMISSION									
SYMBOLS		DIMENSION UNITS		SCALE		CURRENT REV DESC: MIGRATE TO ECTR/NX			
▽ = 0	INCH	[MM]	NTS		molex WATERTITE FS COVERPLATE 3P4W L14-30 PRODUCT CUSTOMER DRAWING DOCUMENT NUMBER: 1301470173 DOC TYPE: PSD DOC PART: 000 REVISION: A MATERIAL NUMBER: SEE TABLE CUSTOMER: GENERAL MARKET SHEET NUMBER: 1 OF 1				
▽ = 0	GENERAL TOLERANCES (UNLESS SPECIFIED)								
▽ = 0		MM	INCH						
▽ = 0	4 PLACES	±	±						
▽ = 0	3 PLACES	±	±		EC NO: 613925	2018/12/26			
▽ = 0	2 PLACES	±	±		DRWN: SRPATIL	2019/03/19			
▽ = 0	1 PLACE	±	±		CHK'D: DNGUYEN62	2019/04/02			
▽ = 0	0 PLACES	±	±		APPR: HKNEELAND				
▽ = 0	ANGULAR TOL	±	°		INITIAL REVISION:				
▽ = 0	DRAFT WHERE APPLICABLE MUST REMAIN WITHIN DIMENSIONS		THIRD ANGLE PROJECTION		DRWN: SRPATIL	2018/12/26			
▽ = 0					APPR: HKNEELAND	2019/04/02			
					DRAWING	SERIES	C-SIZE	130147	

DOCUMENT STATUS	P1	RELEASE DATE	2019/04/02	21:48:36
-----------------	----	--------------	------------	----------