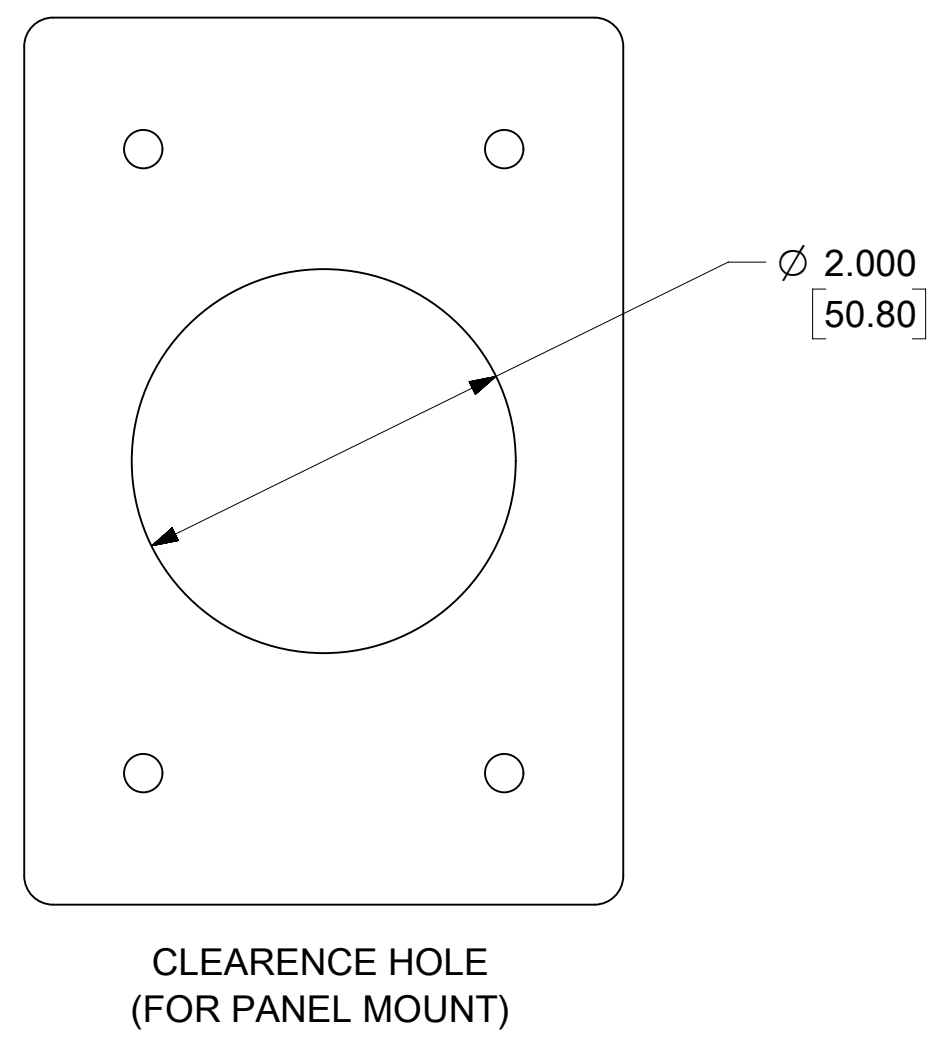
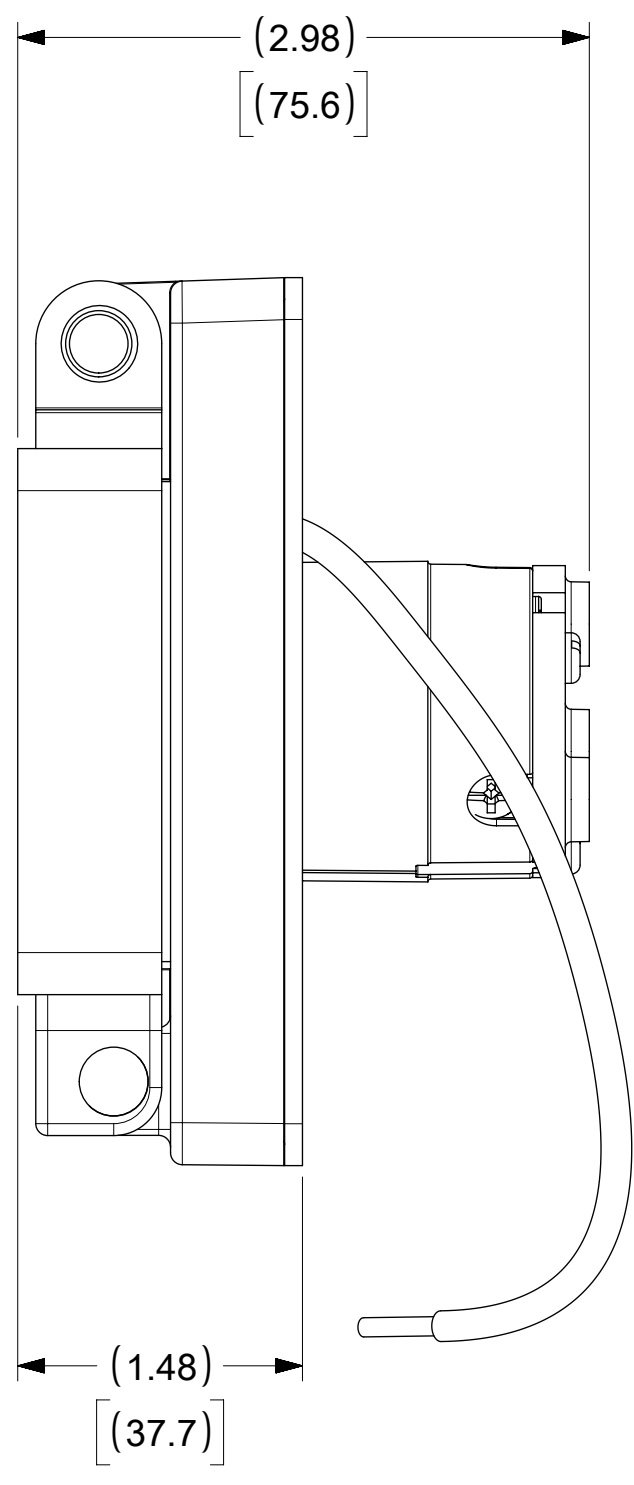
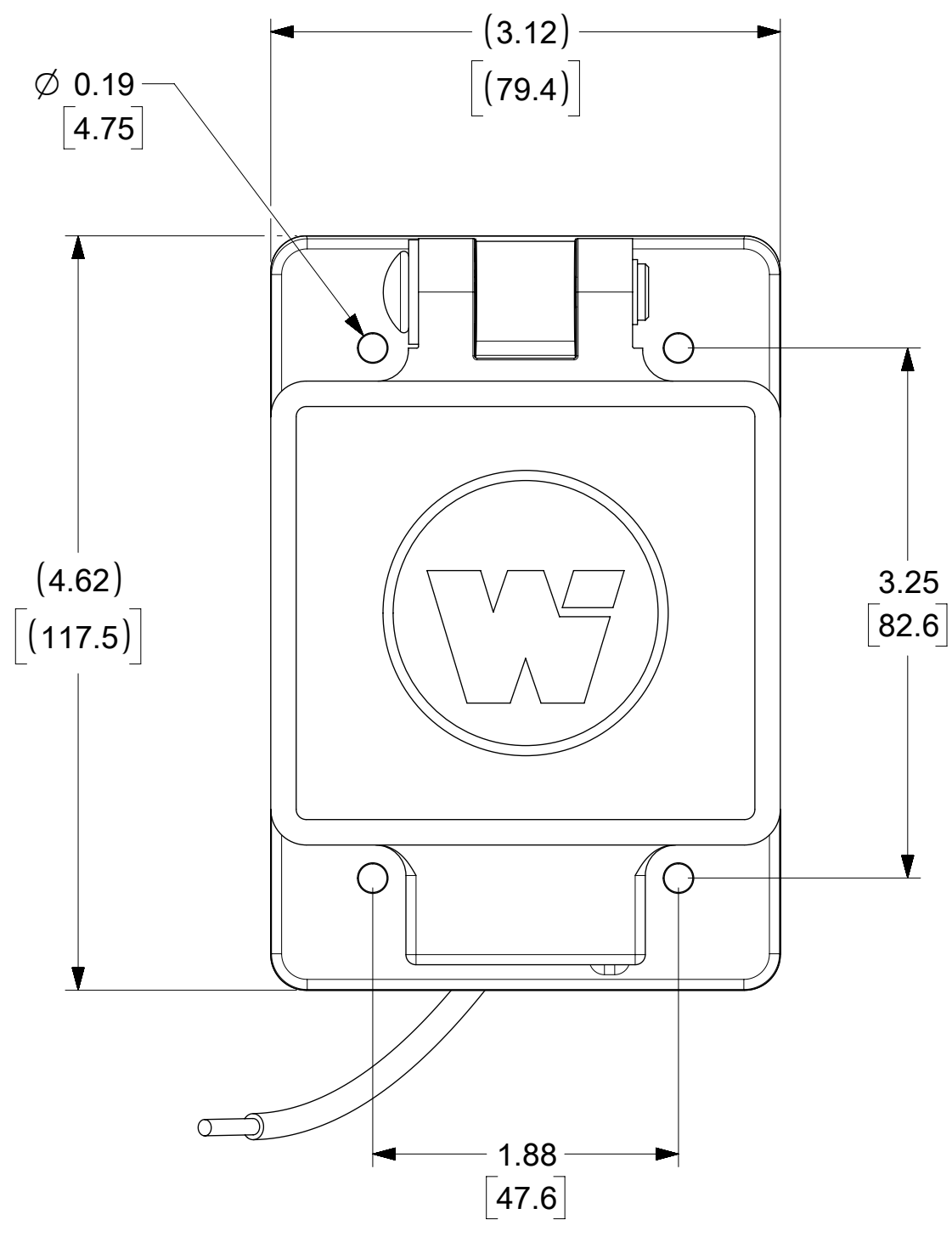
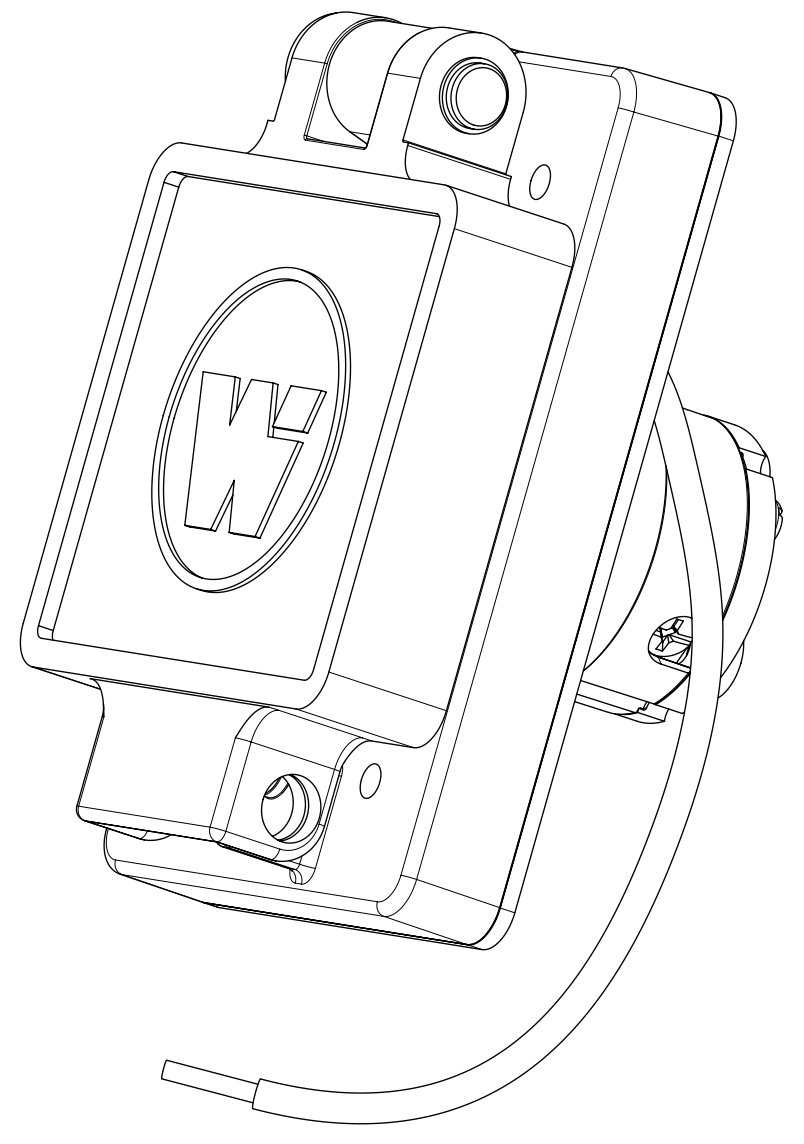
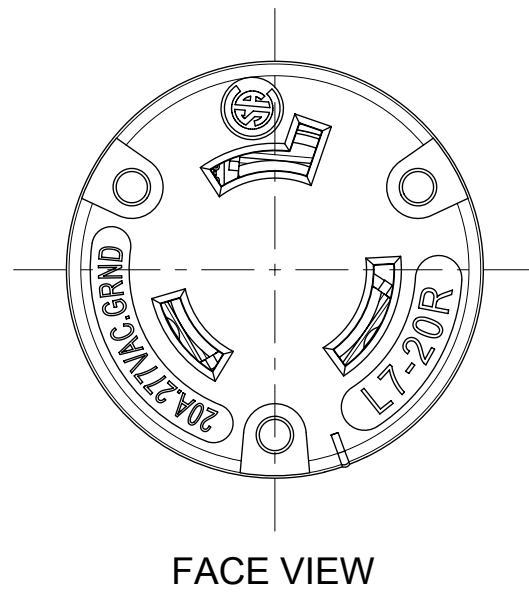


ORDER NO.	WOODHEAD NO.	COLOR
130147-0145	67W49	YELLOW



DESCRIPTION	MATERIAL	QTY.
BLADES	BRASS, NICKEL PLATED	3
RETAINING SCREWS	STAINLESS STEEL	3
CLAMP AND TERMINAL SCREW ASSY.	BRASS, ZINC PLATED	3
FEMALE INSERT	NYLON	1
TERMINAL COVER	POLYCARBONATE	1
COVER ASSEMBLY	POLYCARBONATE, STAINLESS STEEL, ALUMINUM	1
GASKET FLIP	NEOPRENE	1
SUPPORT PLATE	STAINLESS STEEL	1
SCREW (GROUND WIRE)	STAINLESS STEEL	1
JUMPER WIRE ASSY	COPPER, BRASS (TINNED FINISH)	1

THIS DRAWING CONTAINS INFORMATION THAT IS PROPRIETARY TO MOLEX ELECTRONIC TECHNOLOGIES, LLC AND SHOULD NOT BE USED WITHOUT WRITTEN PERMISSION									
SYMBOLS		DIMENSION UNITS		SCALE		CURRENT REV DESC: MIGRATE TO ECTR/NX			
∇ = 0	INCH	[MM]	NTS			molex WATERTITE FS COVERPLATE 2P3W L7-20 PRODUCT CUSTOMER DRAWING			
∇ = 0	GENERAL TOLERANCES (UNLESS SPECIFIED)								
∇ = 0	4 PLACES	±	MM	±	INCH	EC NO: 613675 DRWN: SRPATIL 2018/12/20 CHK'D: DNGUYEN62 2019/03/15 APPR: HKNEELAND 2019/03/22			
∇ = 0	3 PLACES	±	MM	±	INCH	INITIAL REVISION: DRWN: SRPATIL 2018/12/20 APPR: HKNEELAND 2019/03/22			
∇ = 0	2 PLACES	±	MM	±	INCH	DOCUMENT NUMBER: 1301470145 DOC TYPE: PSD DOC PART: 000 REVISION: A			
∇ = 0	1 PLACE	±	MM	±	INCH	MATERIAL NUMBER: SEE TABLE CUSTOMER: GENERAL MARKET SHEET NUMBER: 1 OF 1			
∇ = 0	0 PLACES	±	MM	±	INCH	DRAFT WHERE APPLICABLE MUST REMAIN WITHIN DIMENSIONS THIRD ANGLE PROJECTION DRAWING: C-SIZE SERIES: 130147			