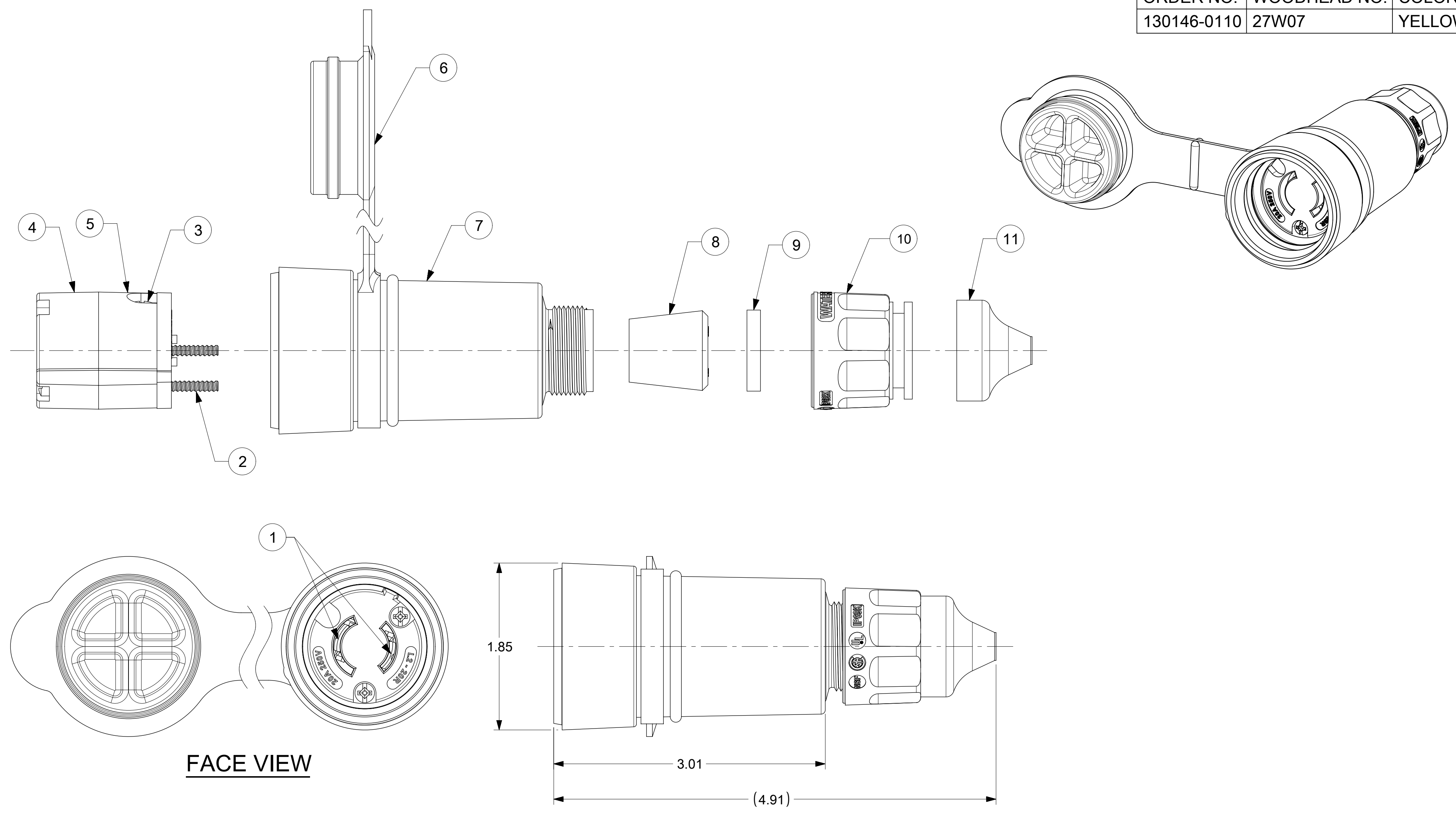


ORDER NO.	WOODHEAD NO.	COLOR
130146-0110	27W07	YELLOW



FACE VIEW

NOTES:
 1. SEE INSTRUCTION SHEET NUMBER 1301414770 FOR PRODUCT SPECIFICATION.
 2. CABLE RANGE FROM 0.375" TO 0.625"

ITEM NO.	DESCRIPTIONS	MATERIAL	QTY.
1	BLADES	BRASS	2
2	RETAINING SCREWS	STAINLESS STEEL	2
3	TERMINAL SCREWS	BRASS, ZINC PLATED	2
4	INSERT	NYLON	1
5	TERMINAL COVER	POLYCARBONATE	1
6	FLIP COVER	SILICONE	1
7	HOUSING	SILICONE WITH NYLON THREAD	1
8	GROMMETS	RUBBER	5
9	FRICTION RING	NYLON	1
10	COMPRESSION NUT	NYLON	1
11	CABLE GLOVE	SILICONE	1

SYMBOLS		THIS DRAWING CONTAINS INFORMATION THAT IS PROPRIETARY TO MOLEX ELECTRONIC TECHNOLOGIES, LLC AND SHOULD NOT BE USED WITHOUT WRITTEN PERMISSION		CURRENT REV DESC: RELEASED				
▽ = 0	INCH	SCALE	NTS	molex WATERTITE CONNECTOR, L2-20R PRODUCT CUSTOMER DRAWING EC NO: 613704 DRWN: VHANDI 2019/03/13 CHK'D: DNGUYEN62 2019/03/18 APPR: HKNEELAND 2019/03/21 INITIAL REVISION: DRWN: ABABU01 2018/11/09 APPR: HKNEELAND 2019/03/02				
▽ = 0	GENERAL TOLERANCES (UNLESS SPECIFIED)							
▽ = 0	ANGULAR TOL	± 0.5°						
▽ = 0	4 PLACES	±						
▽ = 0	3 PLACES	± 0.005						
▽ = 0	2 PLACES	± 0.01		DOCUMENT NUMBER	DOC TYPE	DOC PART	REVISION	
▽ = 0	1 PLACE	± 0.02		1301460110	PSD	000	A1	
▽ = 0	0 PLACES	±		MATERIAL NUMBER	CUSTOMER	SHEET NUMBER		
▽ = 0	DRAFT WHERE APPLICABLE MUST REMAIN WITHIN DIMENSIONS		THIRD ANGLE PROJECTION	DRAWING	SERIES	SEE TABLE	GENERAL MARKET	1 OF 1