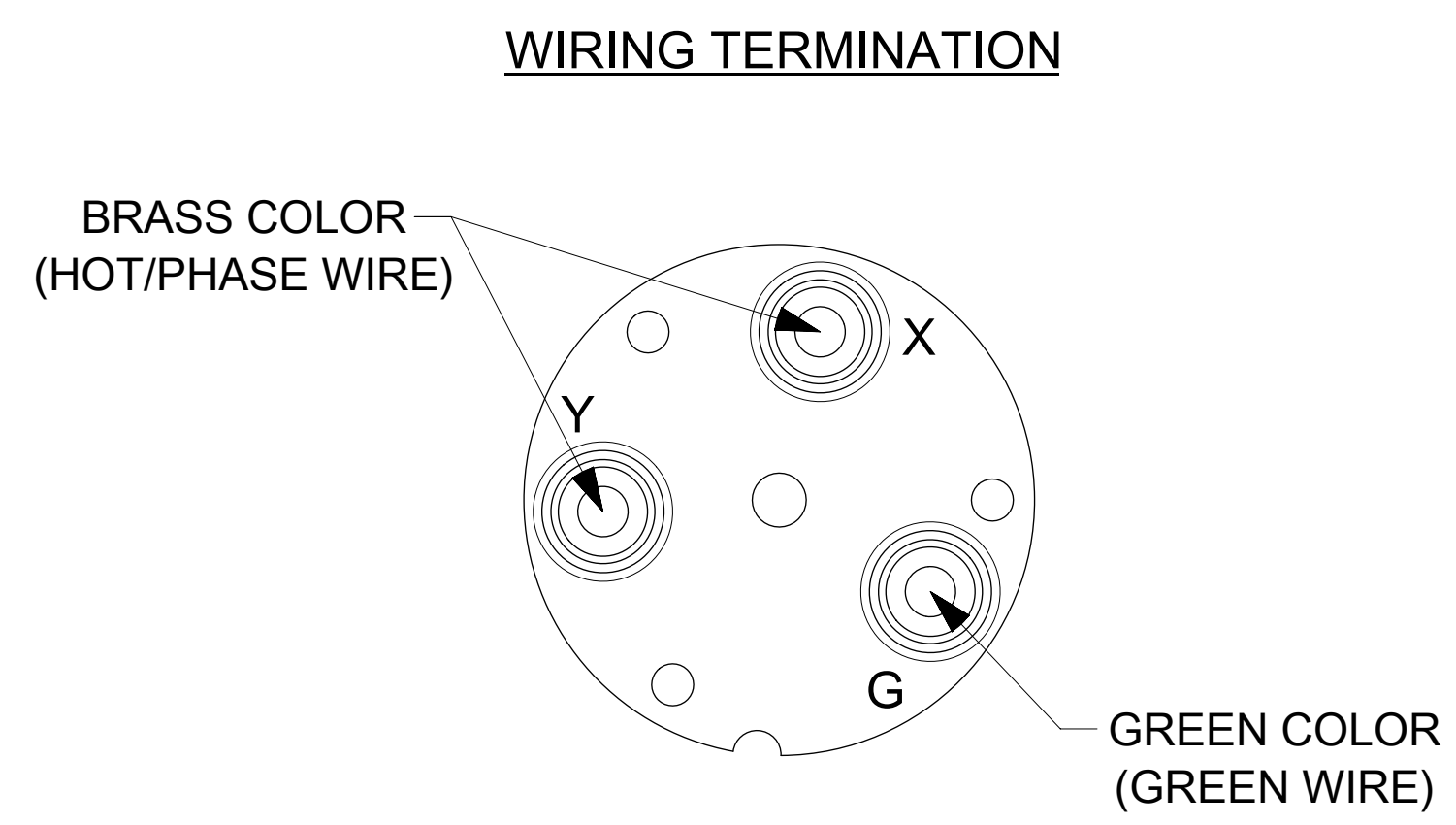
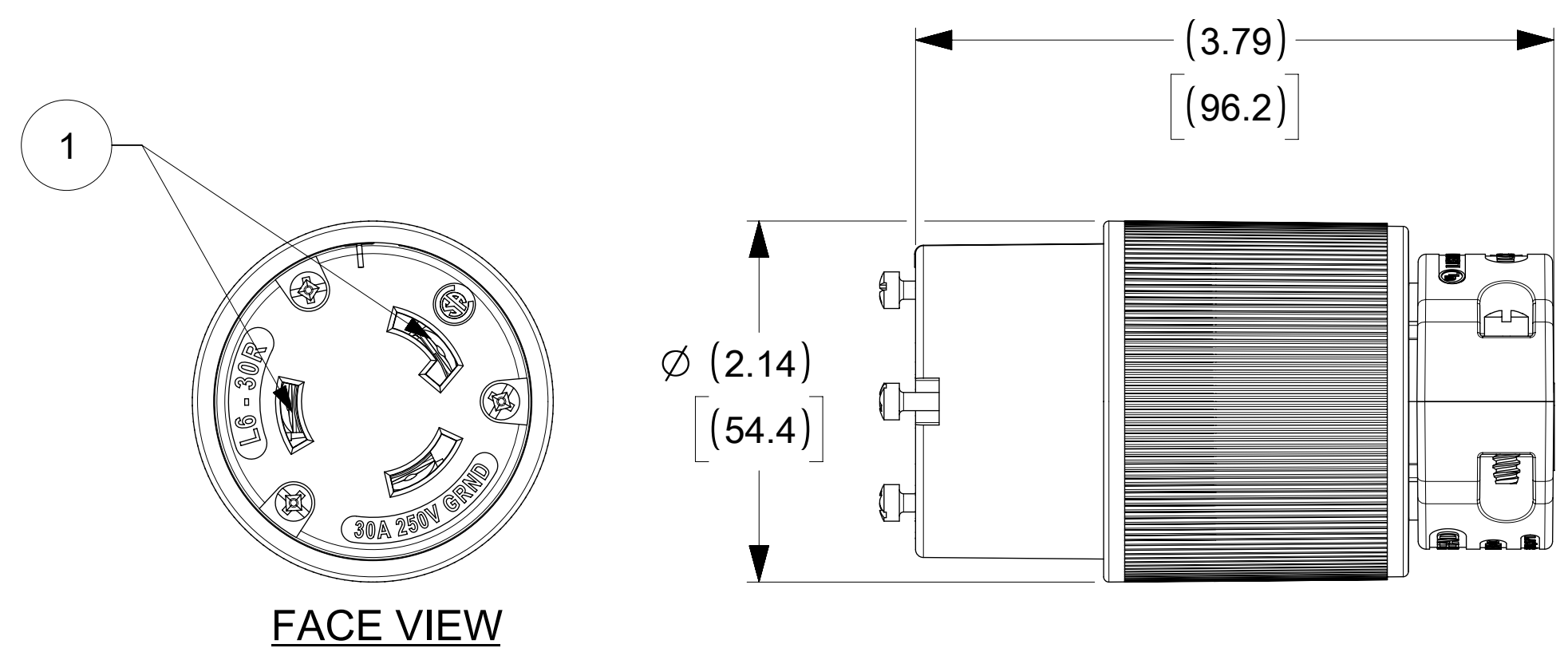
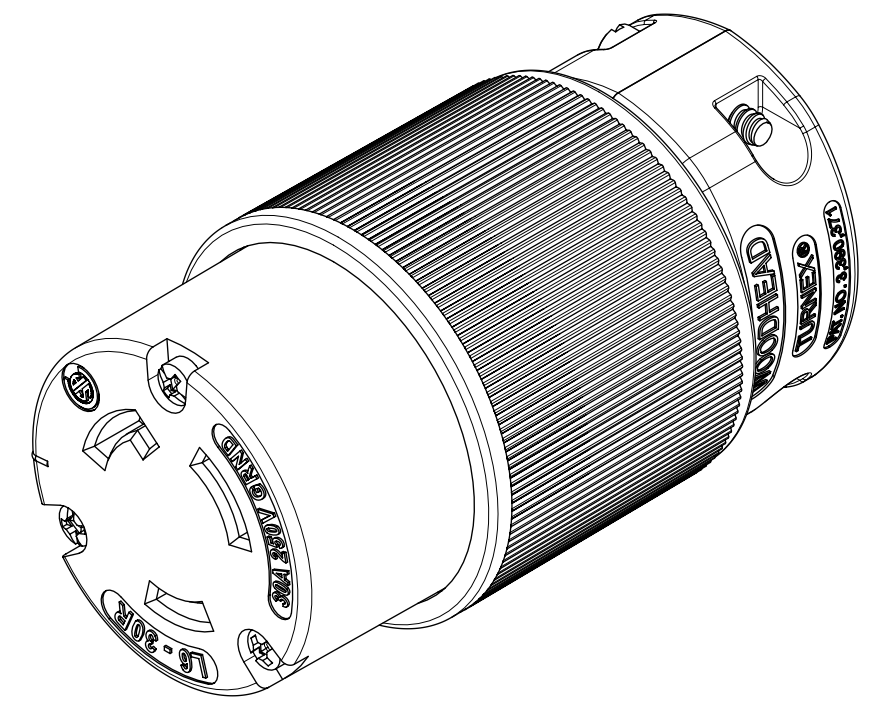
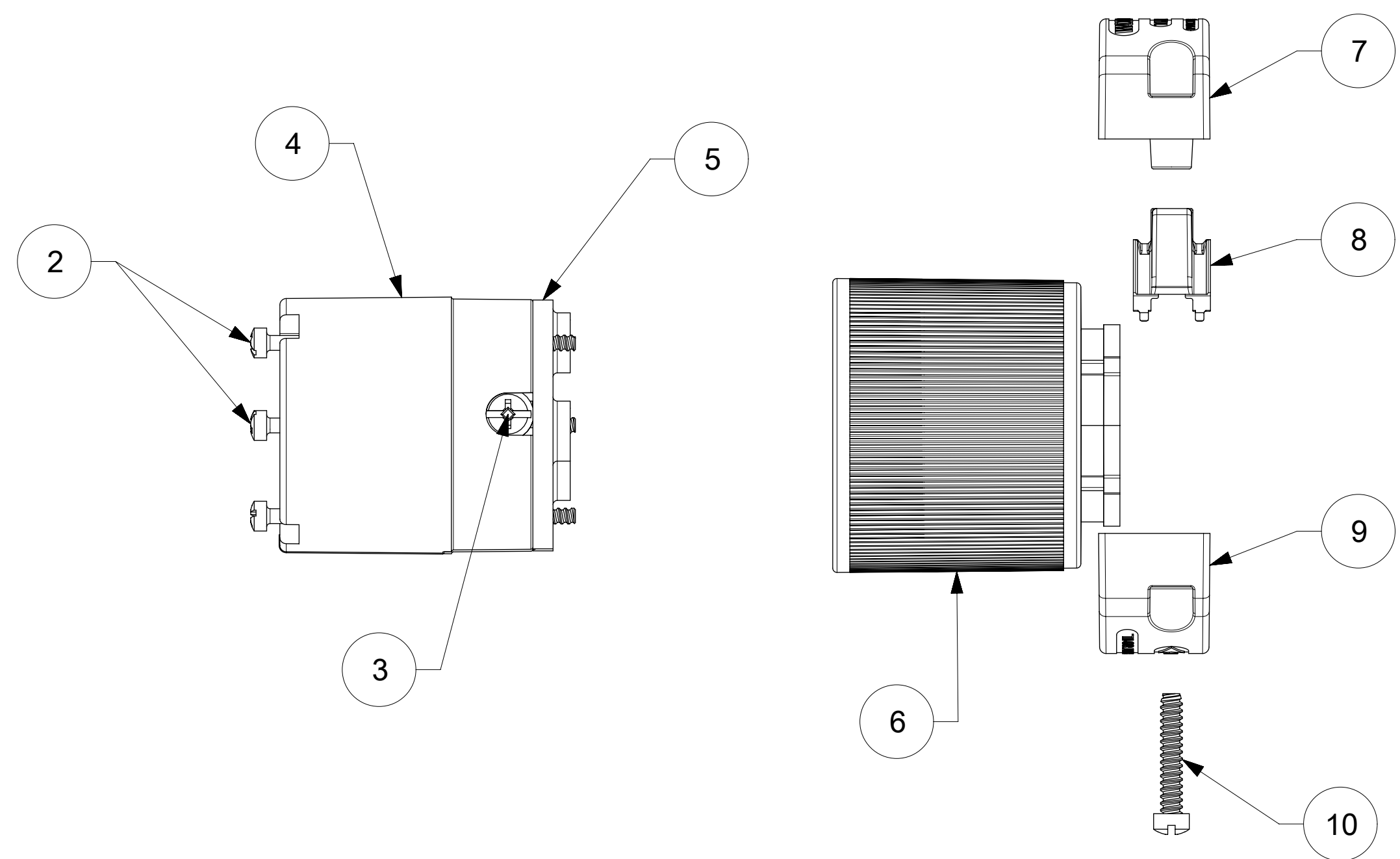


MATERIAL NO.	PART NO.	COLOR
130145-0072	29T48	BLACK



ITEM NO.	DESCRIPTIONS	MATERIAL	QTY.
1	BLADES	BRASS, NICKEL PLATED	3
2	RETAINING SCREWS	STAINLESS STEEL	3
3	TERMINAL SCREWS/CLAMP ASSEMBLY	BRASS, ZINC PLATED	3
4	INSERT	NYLON	1
5	TERMINAL COVER	POLYCARBONATE	1
6	HOUSING	NYLON	1
7	CLAMP CORD MALE	NYLON	1
8	CLAMP CORD INSERT	NYLON	1
9	CLAMP CORD FEMALE	NYLON	1
10	RETAINING SCREWS	STAINLESS STEEL	2

FUNCTIONAL SYMBOLS $F_A = 0$ $F_C = 0$ $F_P = 0$ DIVISIONAL SYMBOLS	THIS DRAWING CONTAINS INFORMATION THAT IS PROPRIETARY TO MOLEX ELECTRONIC TECHNOLOGIES, LLC AND SHOULD NOT BE USED WITHOUT WRITTEN PERMISSION		CURRENT REV DESC: NEW RELEASE				
	DIMENSION UNITS	SCALE	EC NO: 628015				
	INCH	NTS	DRWN: VBASUTHKARP	2019/05/24	molex SAFEWAY TURNEX CONNECTOR 2P3W L6-30		
	GENERAL TOLERANCES (UNLESS SPECIFIED)		CHK'D: DNGUYEN62	2021/09/20			
4 PLACES	±	MM	INCH	APPR: HKNEELAND	2021/10/29		
3 PLACES	±			INITIAL REVISION:			
2 PLACES	±			DRWN: VBASUTHKARP	2019/05/24		
1 PLACE	±			APPR: HKNEELAND	2021/10/29		
0 PLACES	±			ANGULAR TOL ± °			
DRAFT WHERE APPLICABLE MUST REMAIN WITHIN DIMENSIONS		THIRD ANGLE PROJECTION	DRAWING	SERIES	MATERIAL NUMBER	CUSTOMER	SHEET NUMBER
			C-SIZE	130145	SEE TABLE	GENERAL MARKET	1 OF 1