

NOTES

- ① 材質及び仕上げ(めっき仕様) : TABLE 1, TABLE 2 参照  
MATERIAL AND FINISHES (PLATING SPECIFICATION) : SEE TABLE 1 AND TABLE 2
- ② 適合嵌合相手 : 505570シリーズ  
MATE WITH : 505570 SERIES
3. 端子テール部及びネイルの平坦度 : 0.1mm以下  
TAIL AND NAIL COPLANARITY TO BE 0.1mm MAXIMUM.
- ④ 偶数極に適用  
APPLY TO EVEN CIRCUIT
5. 製品仕様書 : 5055700001-PS PS 000  
PRODUCT SPECIFICATION : 5055700001-PS PS 000
6. コネクタ取扱説明書 : 5055700001 PS A03  
APPLICATION SPECIFICATION : 5055700001 PS A03
7. 本製品は錫めっき品である。  
金めっき品は5055750002-SD PSD 000をご参照下さい。  
THIS IS TIN PLATING PRODUCT.  
PLEASE REFER TO 5055750002-SD PSD 000 FOR GOLD PLATING PRODUCT.

⑧ 発注番号 ORDER NUMBER  
505575\*\*\*\*

番号 NO.	ハウジングカラー HOUSING COLOR
0	ナチュラル(白) NATURAL(WHITE)
1	黒 BLACK

番号 NO.	カバーテープ COVER TAPE
7	無 WITHOUT
8	有 WITH

C	B	A	WITHOUT		WITH		COVER TAPE HOUSING COLOR
			BLACK	NATURAL(WHITE)	BLACK	NATURAL(WHITE)	
34.53	30	36	5055751671	5055751670	5055751681	5055751680	16
32.53	28	34	5055751571	5055751570	5055751581	5055751580	15
30.53	26	32	5055751471	5055751470	5055751481	5055751480	14
28.53	24	30	5055751371	5055751370	5055751381	5055751380	13
26.53	22	28	5055751271	5055751270	5055751281	5055751280	12
24.53	20	26	5055751171	5055751170	5055751181	5055751180	11
22.53	18	24	5055751071	5055751070	5055751081	5055751080	10
20.53	16	22	5055750971	5055750970	5055750981	5055750980	9
18.53	14	20	5055750871	5055750870	5055750881	5055750880	8
16.53	12	18	5055750771	5055750770	5055750781	5055750780	7
14.53	10	16	5055750671	5055750670	5055750681	5055750680	6
12.53	8	14	5055750571	5055750570	5055750581	5055750580	5
10.53	6	12	5055750471	5055750470	5055750481	5055750480	4
8.53	4	10	5055750371	5055750370	5055750381	5055750380	3
6.53	2	8	5055750271	5055750270	5055750281	5055750280	2
⑧ 発注番号 ORDER NUMBER							極数 CIRCUIT SIZE
エンボステープ梱包 PACKAGING STYLE : EMBOSSED TAPE AND REEL							

TABLE 1

番号 NO.	部品 PART	材質 MATERIAL
①	ハウジング HOUSING	ポリアミド(PA), UL94 V-0, 色 : 注記8参照 POLYAMIDE(PA), UL94 V-0, COLOR: SEE NOTE 8
②	ターミナル TERMINAL	黄銅 BRASS
		錫めっき : 1.0 MICROMETER MINIMUM MATTE TIN PLATING
③	ネイル NAIL	リン青銅 PHOSPHOR BRONZE
		錫めっき : 1.0 MICROMETER MINIMUM MATTE TIN PLATING
④	カバーテープ COVER TAPE	ニッケルめっき (下地めっき) : 1.0 MICROMETER MINIMUM NICKEL PLATING (UNDER PLATING)
		ポリイミド POLYIMIDE

DOCUMENT STATUS	P1	RELEASE DATE	2023/08/04	04:03:59
-----------------	----	--------------	------------	----------

THIS DRAWING CONTAINS INFORMATION THAT IS PROPRIETARY TO MOLEX ELECTRONIC TECHNOLOGIES, LLC AND SHOULD NOT BE USED WITHOUT WRITTEN PERMISSION

DIMENSION UNITS: mm SCALE: NTS

GENERAL TOLERANCES (UNLESS SPECIFIED):  
ANGULAR TOL ± 3.0°  
4 PLACES ± 0.2  
3 PLACES ± 0.2  
2 PLACES ± 0.2  
1 PLACE ± 0.2  
0 PLACES ± 0.2

DRAFT WHERE APPLICABLE MUST REMAIN WITHIN DIMENSIONS

THIRD ANGLE PROJECTION

DRAWING: A3-SIZE

SERIES: 505575

EC NO: 718854  
DRWN: SOKUMURA01  
CHK'D: SAKIYAMA  
APPR: MARAI

INITIAL REVISION:  
DRWN: TENAGASE  
APPR: TKANEKO

2023/02/28  
2023/08/04  
2023/08/04

2016/06/07  
2016/06/23

DOCUMENT NUMBER: 5055750001

DOC TYPE: PSD  
DOC PART: 000  
REVISION: D

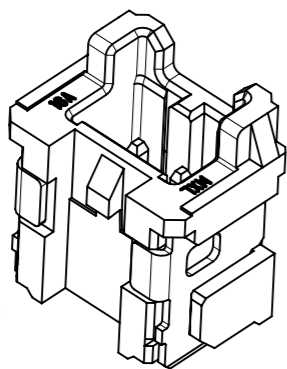
CUSTOMER: GENERAL

SHEET NUMBER: 1 OF 4

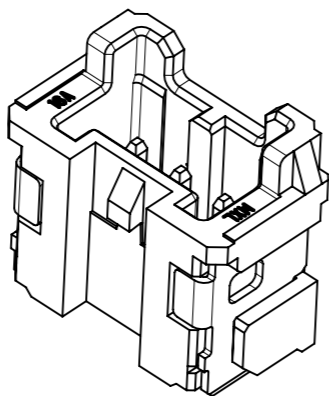
**molex**  
MICRO-LOCK PLUS 2.0 W/B  
SINGLE ROW VERTICAL SMT PLUG ASSEMBLY  
TIN PLATING  
PRODUCT CUSTOMER DRAWING

製品形状  
PRODUCT SHAPE

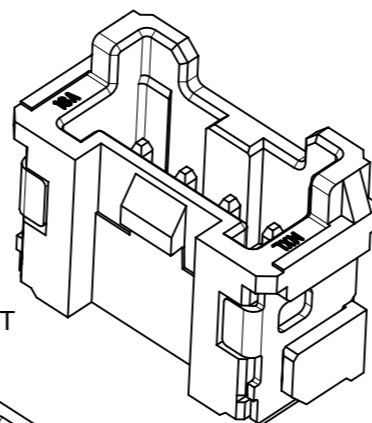
2極  
2 CIRCUIT



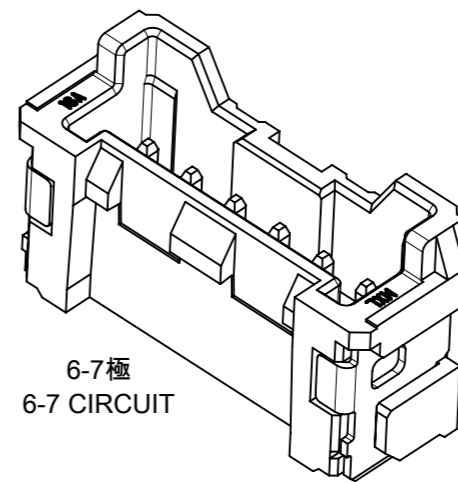
3極  
3 CIRCUIT



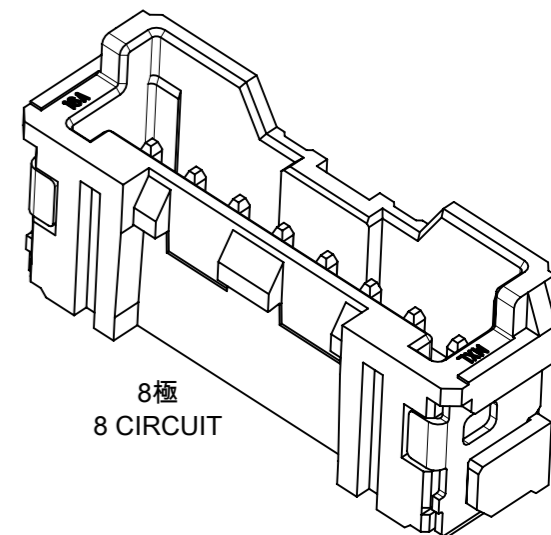
4-5極  
4-5 CIRCUIT



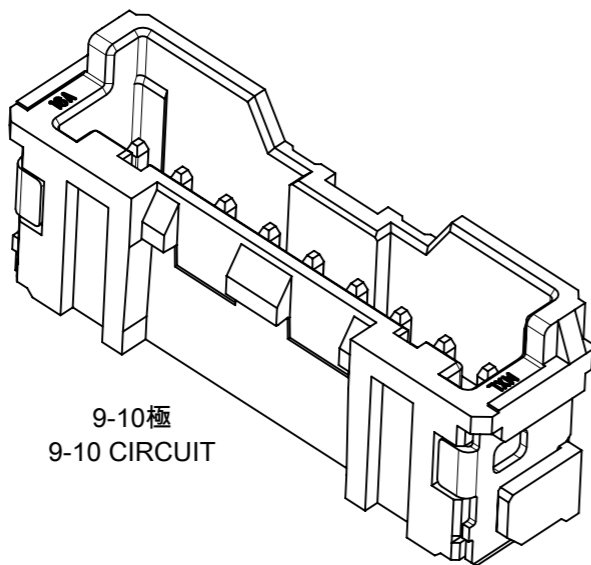
6-7極  
6-7 CIRCUIT



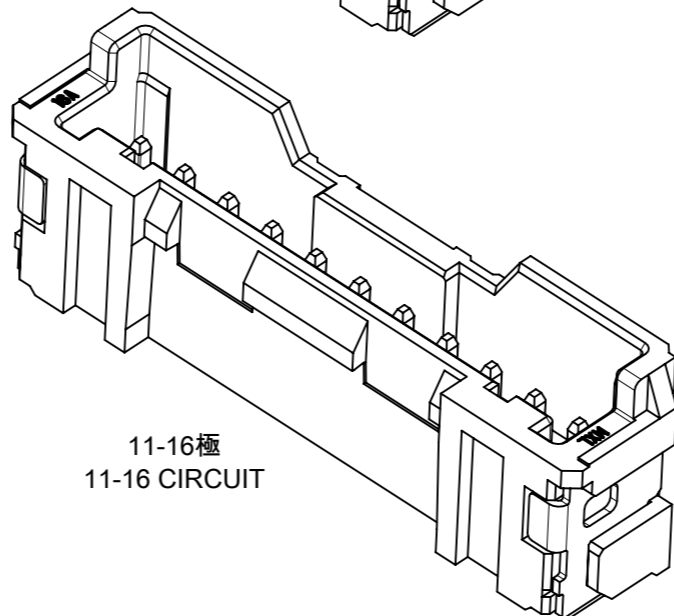
8極  
8 CIRCUIT



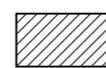
9-10極  
9-10 CIRCUIT



11-16極  
11-16 CIRCUIT



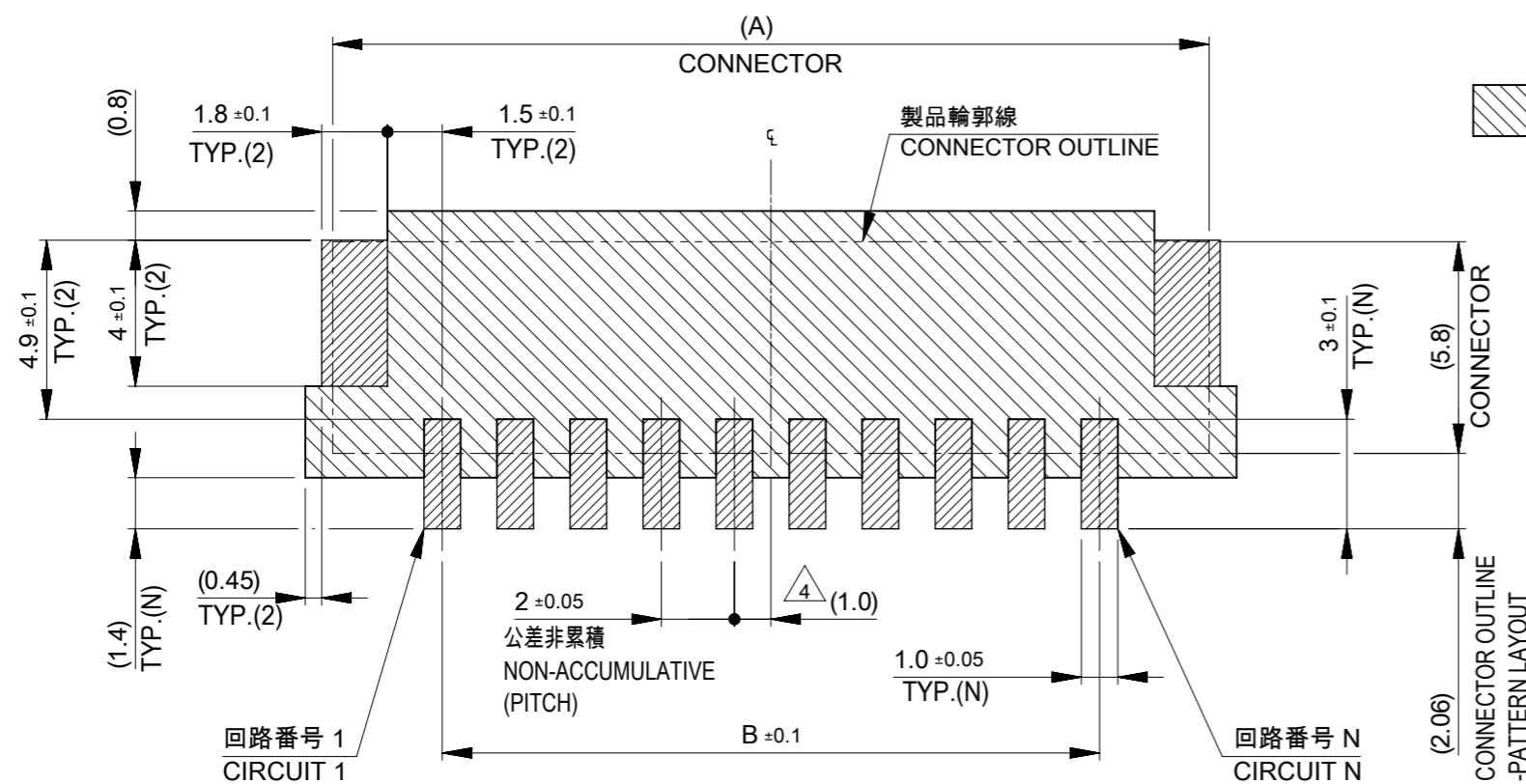
基板パターンレイアウト  
PCB PATTERN LAYOUT



基板パターンレイアウト(参考)  
(参考: 基板厚1.6mm, メタルマスク厚み0.15mm, マスク開口率100%)  
PCB PATTERN LAYOUT (REFERENCE)  
(REFERENCE: PCB THICKNESS 1.6mm, STENCIL THICKNESS 0.15mm, APERTURE RATIO 100%)



パターン非推奨エリア  
パターンを引き回す際には製品機能に影響がないことを御確認ください。  
PATTERN IS NOT RECOMMENDED ON THE HATCHING AREA.  
PLEASE CHECK NOT TO HAVE PROBLEM FOR PRODUCT FUNCTION  
WHEN SETTING PATTERN ON THE HATCHING AREA.

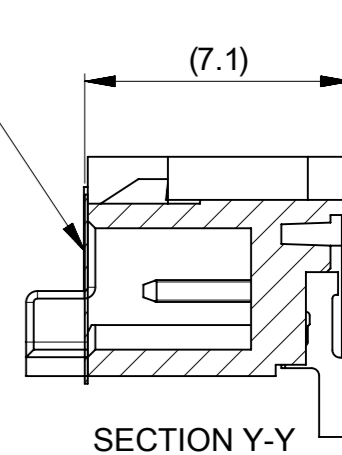
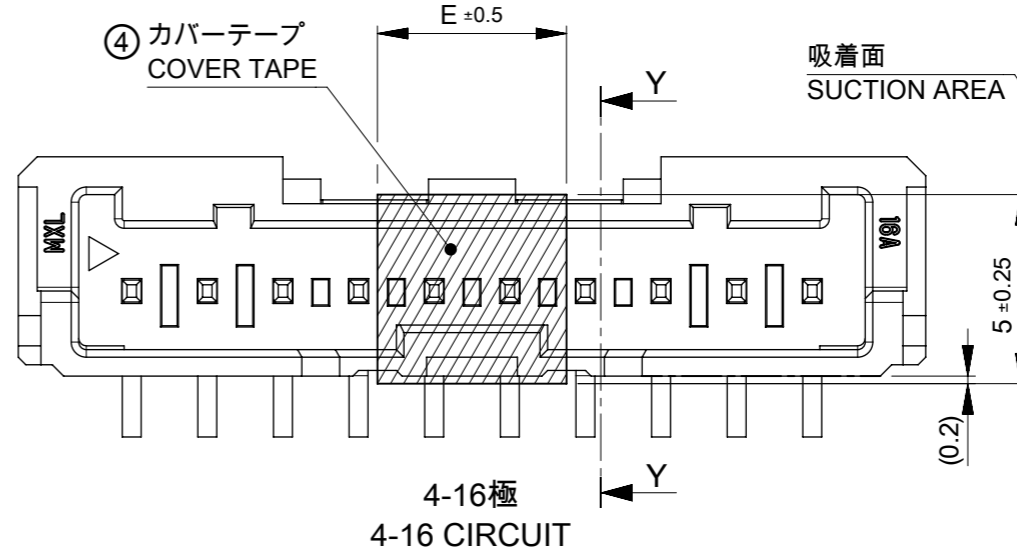
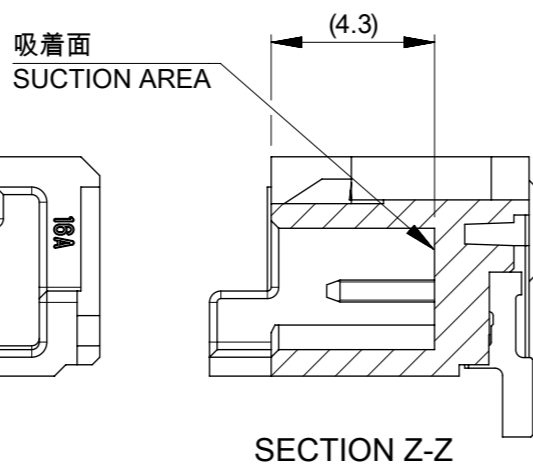
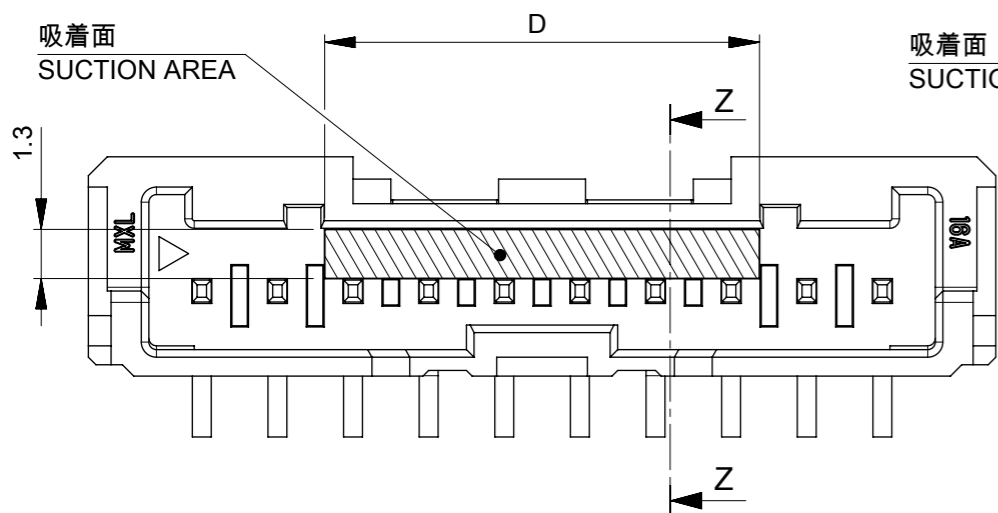


THIS DRAWING CONTAINS INFORMATION THAT IS PROPRIETARY TO MOLEX ELECTRONIC TECHNOLOGIES, LLC AND SHOULD NOT BE USED WITHOUT WRITTEN PERMISSION		CURRENT REV DESC:			
DIMENSION UNITS	SCALE				
mm	NTS			MICRO-LOCK PLUS 2.0 W/B SINGLE ROW VERTICAL SMT PLUG ASSEMBLY TIN PLATING	
GENERAL TOLERANCES (UNLESS SPECIFIED)				PRODUCT CUSTOMER DRAWING	
ANGULAR TOL	± 3.0 °			DOCUMENT NUMBER	
4 PLACES	± 0.2	EC NO: 718854		5055750001	
3 PLACES	± 0.2	DRWN: SOKUMURA01		DOC TYPE	
2 PLACES	± 0.2	2023/02/28		PSD	
1 PLACE	± 0.2	2023/08/04		DOC PART	
0 PLACES	± 0.2	2023/08/04		000	
DRAFT WHERE APPLICABLE MUST REMAIN WITHIN DIMENSIONS		THIRD ANGLE PROJECTION		REVISION	
		DRAWING		D	
		SERIES		SHEET NUMBER	
		A3-SIZE		2 OF 4	
		505575			
		MATERIAL NUMBER			
		SEE SHEET 1			
		CUSTOMER			
		GENERAL			

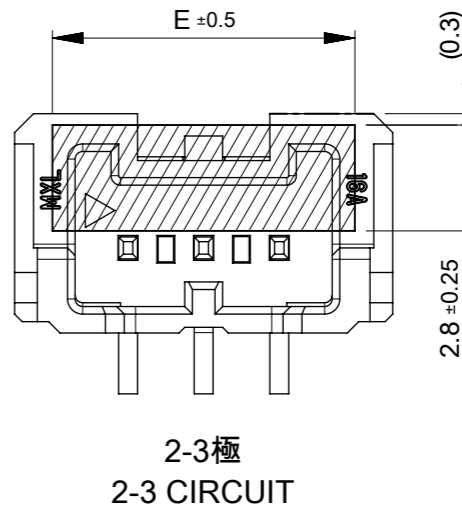
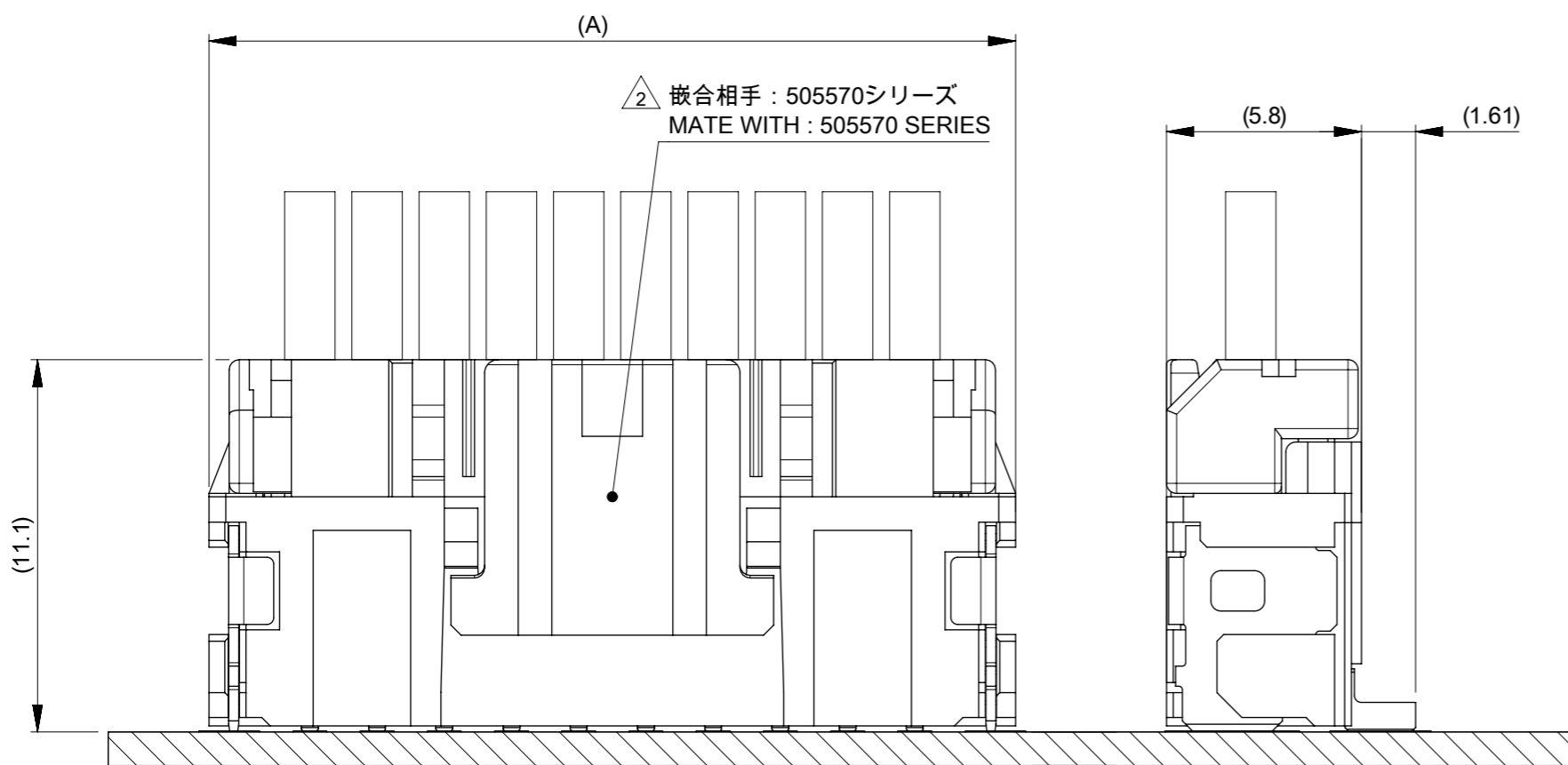
吸着エリア  
SUCTION AREA

カバーテープ無  
WITHOUT COVER TAPE  
505575\*\*7\*

カバーテープ有  
WITH COVER TAPE  
505575\*\*8\*



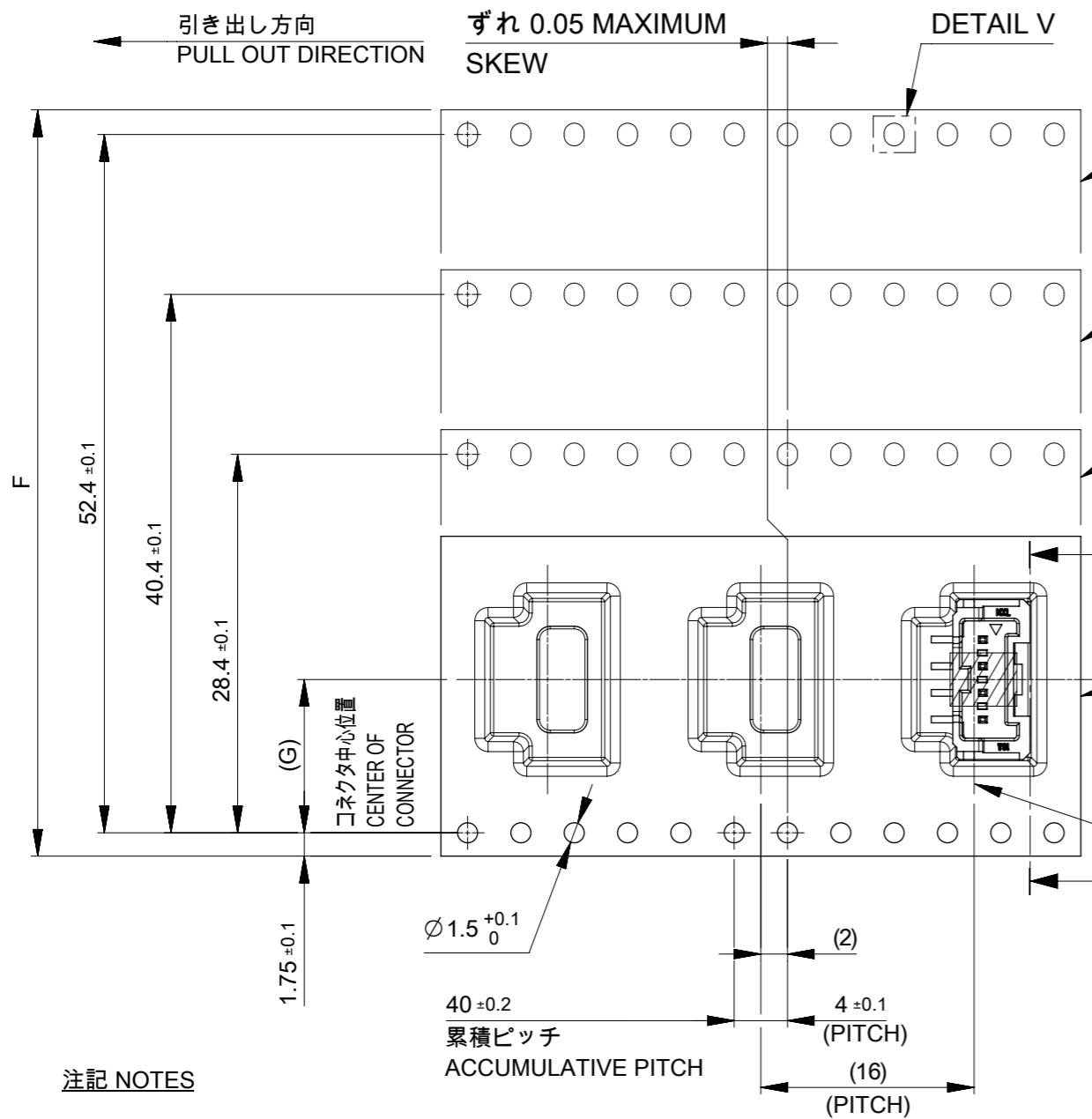
嵌合状態図  
MATED CONNECTORS



5	11.5	16
		15
4	9.5	14
		13
		12
		11
		10
		9
8	4.5	8
		7
		6
6	2.5	5
		4
E	D	極数 CIRCUIT SIZE

THIS DRAWING CONTAINS INFORMATION THAT IS PROPRIETARY TO MOLEX ELECTRONIC TECHNOLOGIES, LLC AND SHOULD NOT BE USED WITHOUT WRITTEN PERMISSION

DIMENSION UNITS	SCALE	CURRENT REV DESC:				
mm	NTS					
GENERAL TOLERANCES (UNLESS SPECIFIED)				MICRO-LOCK PLUS 2.0 W/B SINGLE ROW VERTICAL SMT PLUG ASSEMBLY TIN PLATING		
ANGULAR TOL ± 3.0 °				PRODUCT CUSTOMER DRAWING		
4 PLACES	± 0.2	EC NO: 718854	2023/02/28	DOCUMENT NUMBER		
3 PLACES	± 0.2	DRWN: SOKUMURA01	2023/08/04	DOC TYPE DOC PART REVISION		
2 PLACES	± 0.2	CHK'D: SAKIYAMA	2023/08/04	5055750001 PSD 000 D		
1 PLACE	± 0.2	APPR: MARAI	2023/08/04			
0 PLACES	± 0.2	INITIAL REVISION:				
DRAFT WHERE APPLICABLE MUST REMAIN WITHIN DIMENSIONS		DRWN: TENAGASE	2016/06/07			
THIRD ANGLE PROJECTION		APPR: TKANEKO	2016/06/23			
DRAWING		SERIES	MATERIAL NUMBER	CUSTOMER		SHEET NUMBER
A3-SIZE		505575	SEE SHEET 1	GENERAL		3 OF 4



注記 NOTES

- 9. 梱包数量 : 600個  
NUMBER OF CONNECTORS : 600 PIECES/REEL
- 10. 梱包仕様書 : 5055759200 PS 200  
PACKING SPECIFICATION : 5055759200 PS 200
- 11. リードテープ長さ  
LEAD TAPE LENGTH

12. トップテープの剥離強度については、IEC 60286-3に準拠  
TOP TAPE PEEL FORCE IS DEFINED BY IEC 60286-3.

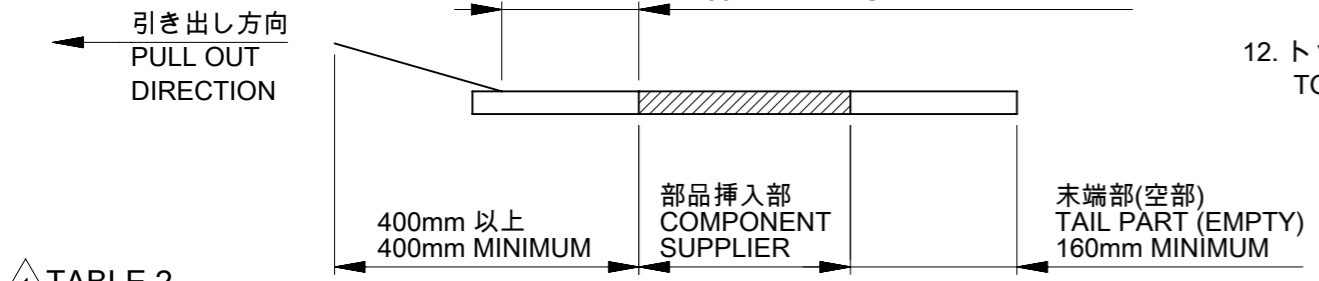
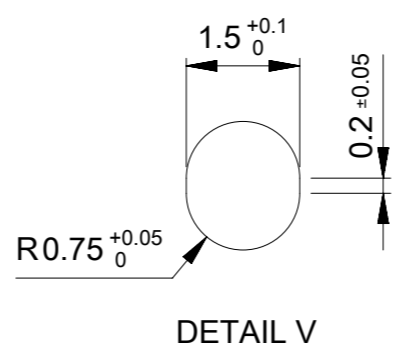
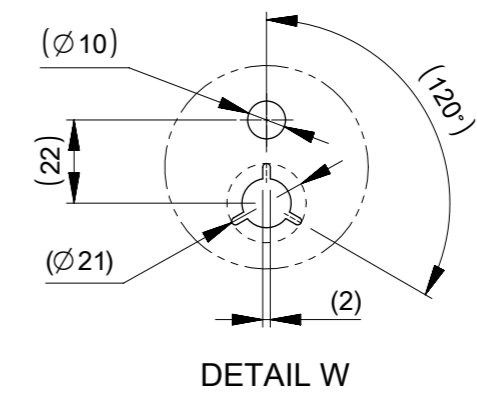
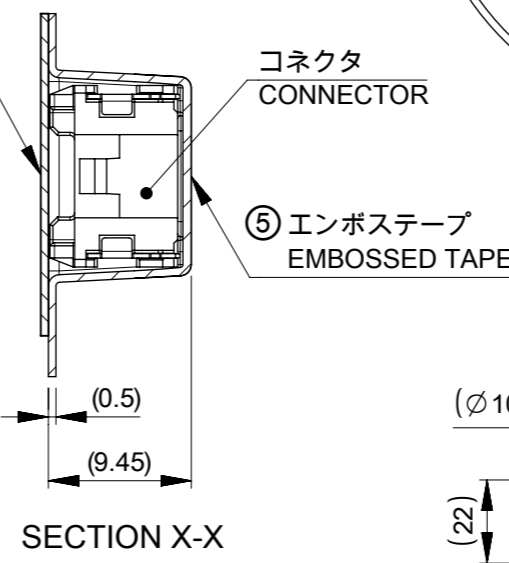
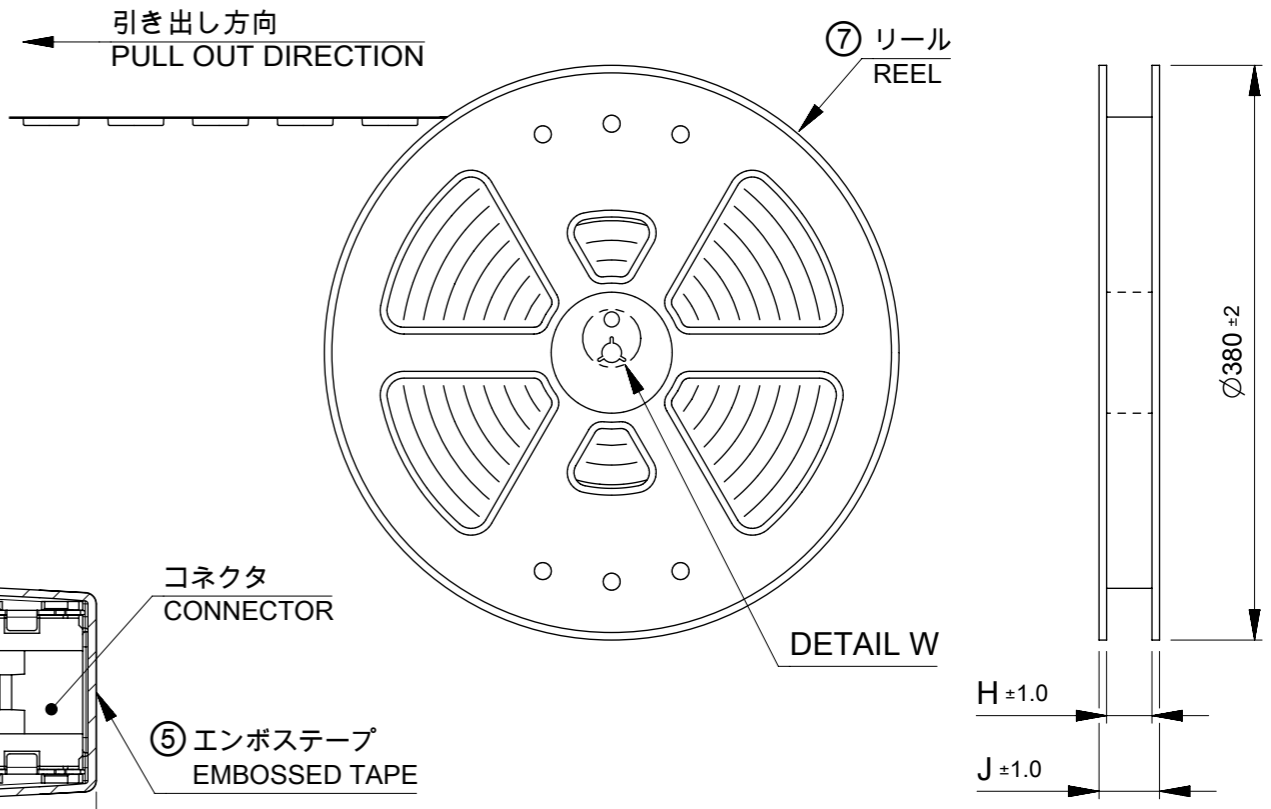


TABLE 2

番号 NO.	部品 PART	材質 MATERIAL
⑤	エンボステープ EMBOSSED TAPE	ポリスチレン(PS) POLYSTYRENE(PS)
⑥	トップテープ TOP TAPE	ポリエチレン(PE), その他 POLYETHYLENE(PE), OTHER
⑦	リール REEL	ポリスチレン(PS), [リサイクル材を含む] POLYSTYRENE(PS) [RECYCLE MATERIAL CONTAINED]

61.4	57.4	26.2	56±0.3	16
				15
				14
				13
				12
				11
49.4	45.4	20.2	44±0.3	10
				9
				8
				7
37.4	33.4	14.2	32±0.3	6
				5
				4
29.4	25.4	11.5	24 +0.3/-0.1	3
				2
J	H	G	F	極数 CIRCUIT SIZE

THIS DRAWING CONTAINS INFORMATION THAT IS PROPRIETARY TO MOLEX ELECTRONIC TECHNOLOGIES, LLC AND SHOULD NOT BE USED WITHOUT WRITTEN PERMISSION

DIMENSION UNITS	SCALE	CURRENT REV DESC:	
mm	NTS		
GENERAL TOLERANCES (UNLESS SPECIFIED)			
ANGULAR TOL	± 3.0 °		
4 PLACES	± 0.2	EC NO: 718854	2023/02/28
3 PLACES	± 0.2	DRWN: SOKUMURA01	2023/08/04
2 PLACES	± 0.2	CHK'D: SAKIYAMA	2023/08/04
1 PLACE	± 0.2	APPR: MARAI	
0 PLACES	± 0.2	INITIAL REVISION:	
DRAFT WHERE APPLICABLE MUST REMAIN WITHIN DIMENSIONS		DRWN: TENAGASE	2016/06/07
THIRD ANGLE PROJECTION		APPR: TKANEKO	2016/06/23
DRAWING	SERIES	MATERIAL NUMBER	CUSTOMER
A3-SIZE	505575	SEE SHEET 1	GENERAL
DOCUMENT NUMBER		DOC TYPE	DOC PART
5055750001		PSD	000
SHEET NUMBER		REVISION	
4 OF 4		D	

**molex**

MICRO-LOCK PLUS 2.0 W/B  
SINGLE ROW VERTICAL SMT PLUG ASSEMBLY  
TIN PLATING

PRODUCT CUSTOMER DRAWING