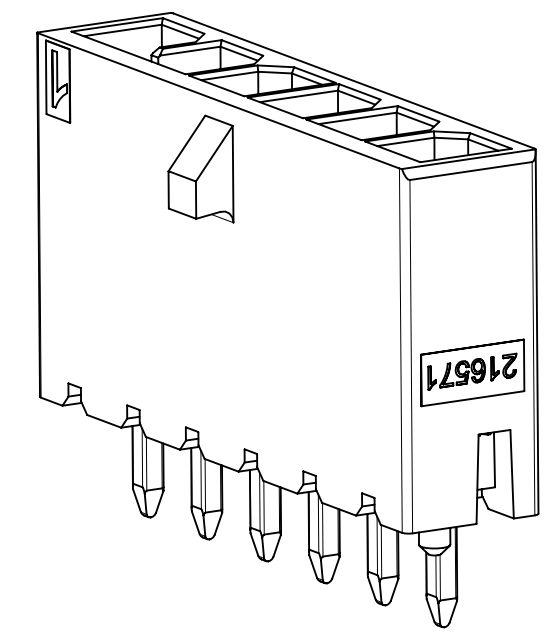
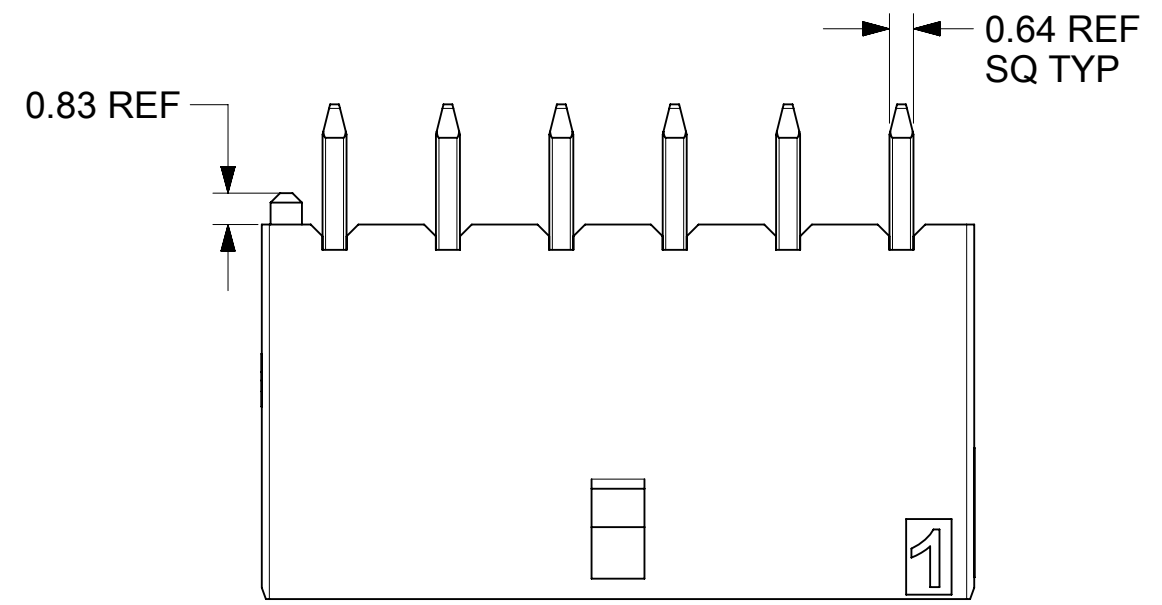


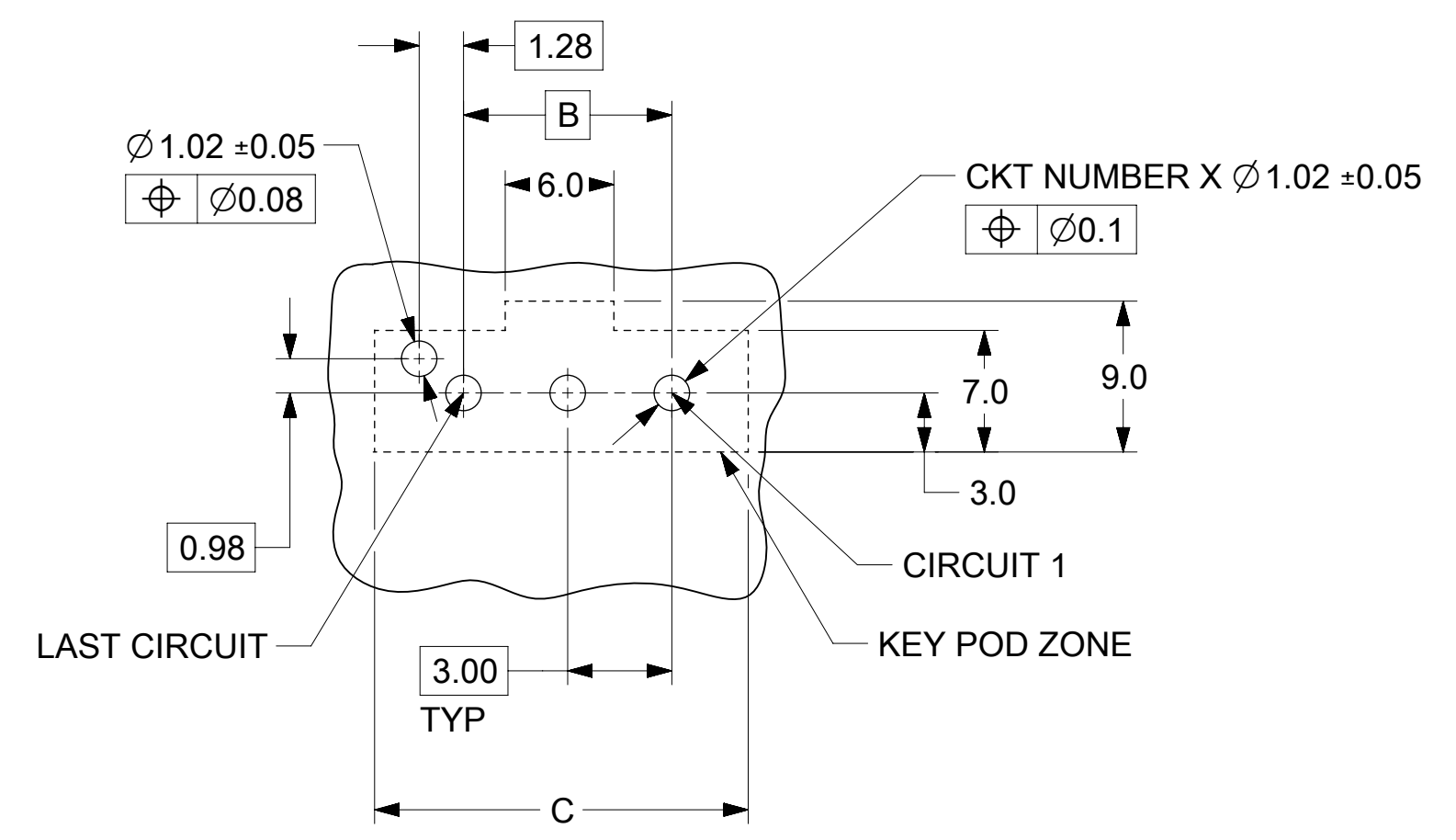
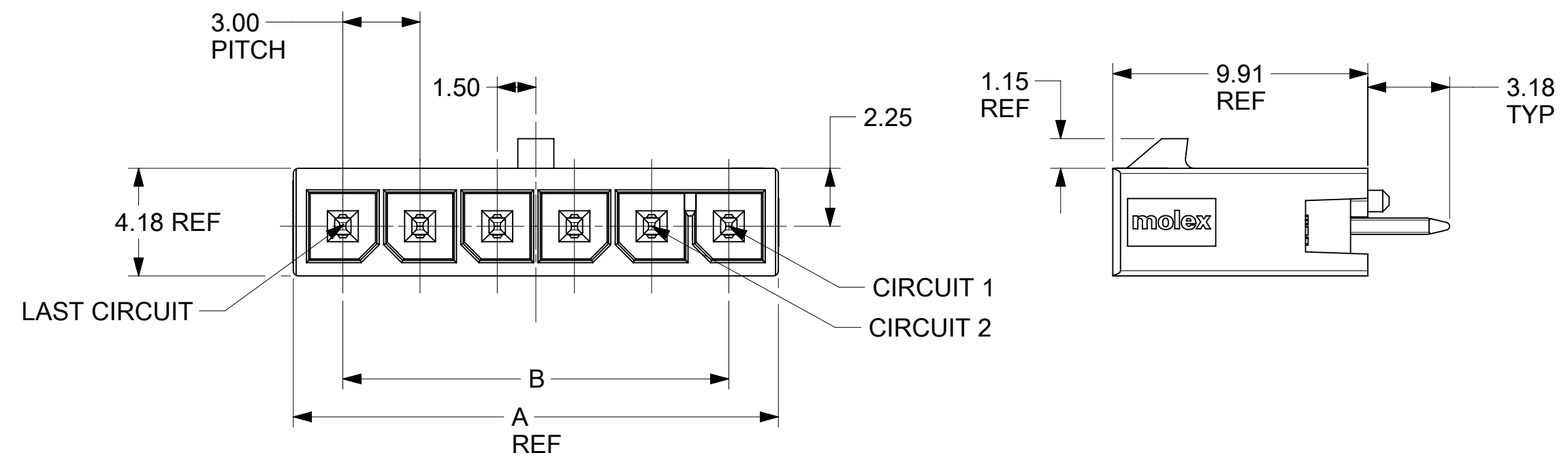
CIRCUIT	A	B	C
2	6.85	3.00	9.00
3	9.85	6.00	12.00
4	12.85	9.00	15.00
5	15.85	12.00	18.00
6	18.85	15.00	21.00
7	21.85	18.00	24.00
8	24.85	21.00	27.00



LEGEND

216571 - X 0 X X

- SERIES NO. []
- PLATING OPTION []
 - 1 :TIN
 - 2: 15MICROINCH AU
 - 3. 30MICROINCH AU
- POLARISATION/COLOR []
- CKT NO 2-8 . []



RECOMENDED PCB THICKNESS: .062/1.57 Max.

NOTES:

- HOSING MATERIAL: GLASS FILLED LIQUID CRYSTAL POLYMER, UL 94V-0,GLOW WIRE, COLOR : SEE TABLE
TERMINAL MATERIAL: HIGH COPPER ALLOY
- FINISH:
OPTION 1: TIN OVER NICKEL OVERALL
OPTION 2: SELECT 15MICROINCH GOLD AND SELECT MATTE TIN OVER NICKEL.
OPTION 3: SELECT 30MICROINCH GOLD AND SELECT MATTE TIN OVER NICKEL.
- PRODUCT SPECIFICATION : 2064600000-PS
- TRAY PACK : 2165710002-PK
- PRODUCT TEST SUMMARY: 2157590005-TS
- MATE WITH RECEPTACLE 215759
- THIS PART CONFORMS TO CLASS 'B' REQUIREMENTS OF COSMETIC SPECIFICATION PS-45499-002.

FUNCTIONAL SYMBOLS	THIS DRAWING CONTAINS INFORMATION THAT IS PROPRIETARY TO MOLEX ELECTRONIC TECHNOLOGIES, LLC AND SHOULD NOT BE USED WITHOUT WRITTEN PERMISSION		CURRENT REV DESC:		molex
	DIMENSION UNITS	SCALE			
$\frac{F}{A} = 0$	mm	5:1			MICRO-FIT PLUS VER HEADER ASSEMBLY
$\frac{E}{C} = 0$	GENERAL TOLERANCES (UNLESS SPECIFIED)				
$\frac{E}{P} = 0$	ANGULAR TOL ± °				PRODUCT CUSTOMER DRAWING
DIVISIONAL SYMBOLS	4 PLACES	±	EC NO: 773727		
	3 PLACES	±	DRWN: VENKAS5	2024/01/10	DOCUMENT NUMBER
	2 PLACES	± 0.25	CHK'D: MRAMAKRISHNA	2024/01/10	
	1 PLACE	± 0.36	APPR: MRAMAKRISHNA	2024/01/10	DOC TYPE
	0 PLACES	±	INITIAL REVISION:		DOC PART
	DRAFT WHERE APPLICABLE MUST REMAIN WITHIN DIMENSIONS		DRWN: HPAN18	2020/10/15	REVISION
	THIRD ANGLE PROJECTION		APPR: YXZHENG	2021/02/08	
	DRAWING	SERIES	MATERIAL NUMBER	CUSTOMER	SHEET NUMBER
	C-SIZE	216571	SEE NOTES	GENERAL MARKET	1 OF 3

TIN PLATING				15 MICROINCH GOLD				30 MICROINCH GOLD				
CIRCUIT	PART NUMBER	POLARIZATION	COLOR	CIRCUIT	PART NUMBER	POLARIZATION	COLOR	CIRCUIT	PART NUMBER	POLARIZATION	COLOR	
H	2	2165711002	A	BLACK	2	2165712002	A	BLACK	2	2165713002	A	BLACK
		2165711012	B	NATURAL		2165712012	B	NATURAL		2165713012	B	NATURAL
		2165711022	C	RED		2165712022	C	RED		2165713022	C	RED
		2165711032	D	BLUE		2165712032	D	BLUE		2165713032	D	BLUE
		2165711042	E	YELLOW		2165712042	E	YELLOW		2165713042	E	YELLOW
G	3	2165711003	A	BLACK	3	2165712003	A	BLACK	3	2165713003	A	BLACK
		2165711013	B	NATURAL		2165712013	B	NATURAL		2165713013	B	NATURAL
		2165711023	C	RED		2165712023	C	RED		2165713023	C	RED
		2165711033	D	BLUE		2165712033	D	BLUE		2165713033	D	BLUE
		2165711043	E	YELLOW		2165712043	E	YELLOW		2165713043	E	YELLOW
G	4	2165711004	A	BLACK	4	2165712004	A	BLACK	4	2165713004	A	BLACK
		2165711014	B	NATURAL		2165712014	B	NATURAL		2165713014	B	NATURAL
		2165711024	C	RED		2165712024	C	RED		2165713024	C	RED
		2165711034	D	BLUE		2165712034	D	BLUE		2165713034	D	BLUE
		2165711044	E	YELLOW		2165712044	E	YELLOW		2165713044	E	YELLOW
F	5	2165711005	A	BLACK	5	2165712005	A	BLACK	5	2165713005	A	BLACK
		2165711015	B	NATURAL		2165712015	B	NATURAL		2165713015	B	NATURAL
		2165711025	C	RED		2165712025	C	RED		2165713025	C	RED
		2165711035	D	BLUE		2165712035	D	BLUE		2165713035	D	BLUE
		2165711045	E	YELLOW		2165712045	E	YELLOW		2165713045	E	YELLOW
E	6	2165711006	A	BLACK	6	2165712006	A	BLACK	6	2165713006	A	BLACK
		2165711016	B	NATURAL		2165712016	B	NATURAL		2165713016	B	NATURAL
		2165711026	C	RED		2165712026	C	RED		2165713026	C	RED
		2165711036	D	BLUE		2165712036	D	BLUE		2165713036	D	BLUE
		2165711046	E	YELLOW		2165712046	E	YELLOW		2165713046	E	YELLOW
E	7	2165711007	A	BLACK	7	2165712007	A	BLACK	7	2165713007	A	BLACK
		2165711017	B	NATURAL		2165712017	B	NATURAL		2165713017	B	NATURAL
		2165711027	C	RED		2165712027	C	RED		2165713027	C	RED
		2165711037	D	BLUE		2165712037	D	BLUE		2165713037	D	BLUE
		2165711047	E	YELLOW		2165712047	E	YELLOW		2165713047	E	YELLOW
D	8	2165711008	A	BLACK	8	2165712008	A	BLACK	8	2165713008	A	BLACK
		2165711018	B	NATURAL		2165712018	B	NATURAL		2165713018	B	NATURAL
		2165711028	C	RED		2165712028	C	RED		2165713028	C	RED
		2165711038	D	BLUE		2165712038	D	BLUE		2165713038	D	BLUE
		2165711048	E	YELLOW		2165712048	E	YELLOW		2165713048	E	YELLOW

FUNCTIONAL SYMBOLS	THIS DRAWING CONTAINS INFORMATION THAT IS PROPRIETARY TO MOLEX ELECTRONIC TECHNOLOGIES, LLC AND SHOULD NOT BE USED WITHOUT WRITTEN PERMISSION		
	DIMENSION UNITS	SCALE	CURRENT REV DESC:
	mm	1:1	<p>EC NO: 773727</p> <p>DRWN: VENKAS5 2024/01/10</p> <p>CHK'D: MRAMAKRISHNA 2024/01/10</p> <p>APPR: MRAMAKRISHNA 2024/01/10</p> <p>INITIAL REVISION:</p> <p>DRWN: HPAN18 2020/10/15</p> <p>APPR: YXZHENG 2021/02/08</p>
	GENERAL TOLERANCES (UNLESS SPECIFIED)		
	ANGULAR TOL ± °		
DIVISIONAL SYMBOLS	4 PLACES	±	
	3 PLACES	±	
	2 PLACES	± 0.15	
	1 PLACE	± 0.15	
	0 PLACES	±	
DRAFT WHERE APPLICABLE MUST REMAIN WITHIN DIMENSIONS		THIRD ANGLE PROJECTION	DRAWING C-SIZE
		SERIES 216571	DOCUMENT NUMBER 2165710003-SD
		MATERIAL NUMBER	CUSTOMER GENERAL MARKET
		SHEET NUMBER 2 OF 3	DOC TYPE PSD
		DOC PART 000	REVISION A3

CKT	POLARIZATION "A" - BLACK	POLARIZATION "B" - NATURAL	POLARIZATION "C" - RED	POLARIZATION "D" - BLUE	POLARIZATION "E" - YELLOW
2					
3					
4					
5					
6					
7					
8					

PRE-RELEASE
REFERENCE
USE ONLY

FUNCTIONAL SYMBOLS		THIS DRAWING CONTAINS INFORMATION THAT IS PROPRIETARY TO MOLEX ELECTRONIC TECHNOLOGIES, LLC AND SHOULD NOT BE USED WITHOUT WRITTEN PERMISSION		CURRENT REV DESC:					
DIMENSION UNITS		SCALE		EC NO: 773727					
mm		1:1		DRWN: VENKAS5		PRODUCT CUSTOMER DRAWING			
GENERAL TOLERANCES (UNLESS SPECIFIED)		ANGULAR TOL ± °		CHK'D: MRAMAKRISHNA		DOCUMENT NUMBER			
4 PLACES ±		3 PLACES ±		APPR: MRAMAKRISHNA		2165710003-SD			
3 PLACES ±		2 PLACES ± 0.15		INITIAL REVISION:		DOC TYPE DOC PART REVISION			
2 PLACES ± 0.15		1 PLACE ± 0.15		DRWN: HPAN18		PSD 000 A3			
1 PLACE ± 0.15		0 PLACES ±		APPR: YXZHENG		MATERIAL NUMBER CUSTOMER SHEET NUMBER			
DRAFT WHERE APPLICABLE MUST REMAIN WITHIN DIMENSIONS		THIRD ANGLE PROJECTION		DRAWING		GENERAL MARKET 3 OF 3			
		C-SIZE		SERIES					
		216571							

DOCUMENT STATUS	RELEASE DATE
-----------------	--------------