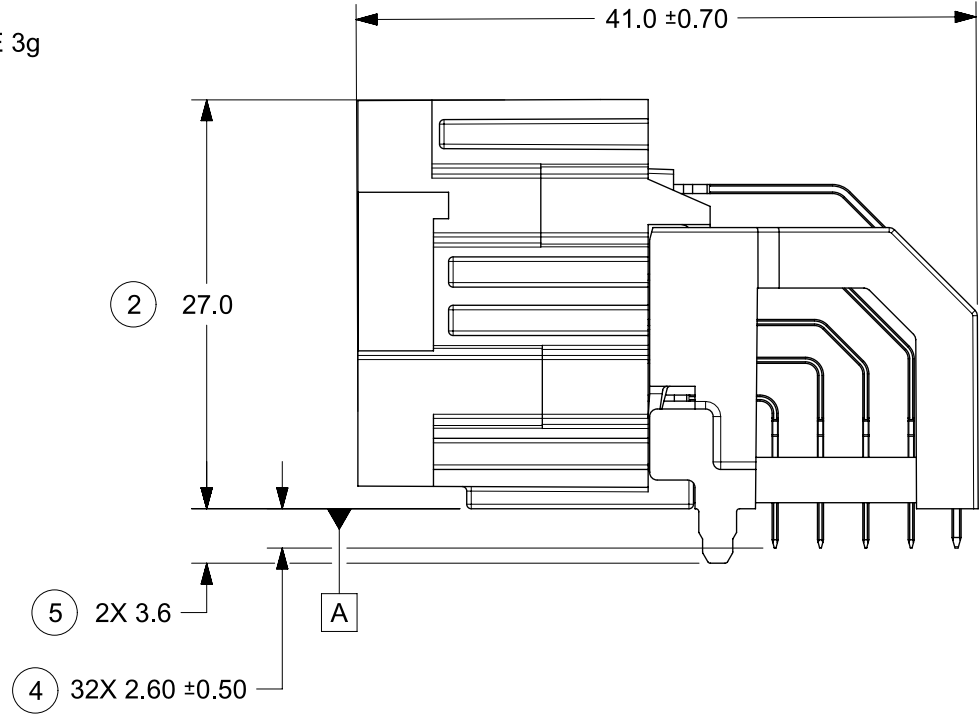
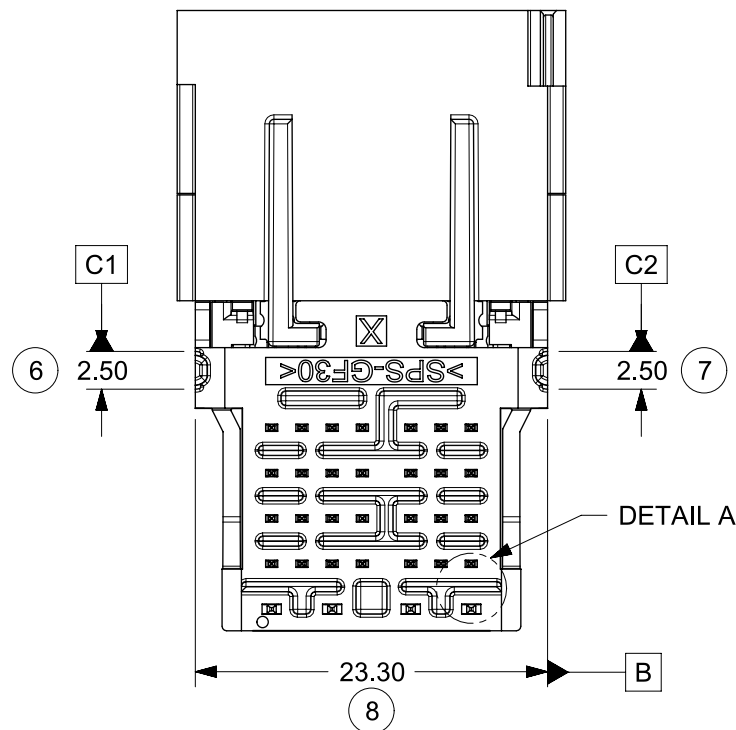
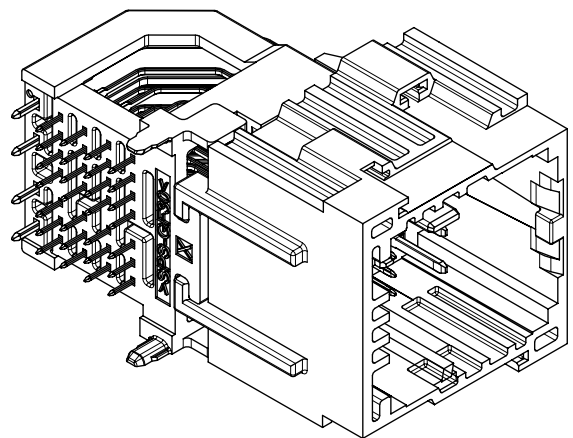


KEY 1
PART NO. 2005020321



PART NUMBER TUBE PACKAGING 2005028100	PART NUMBER TRAY PACKAGING 2005062105-PK	KEY	COLOR	TERMINAL QUANTITIES	
				0.5mm	1.2mm
2005020321	2005021321	1	BLACK	28	4
2005020322	2005021322	2	BLUE		
2005020323	2005021323	3	DARK GRAY		
2005020324	2005021324	4	PURPLE		

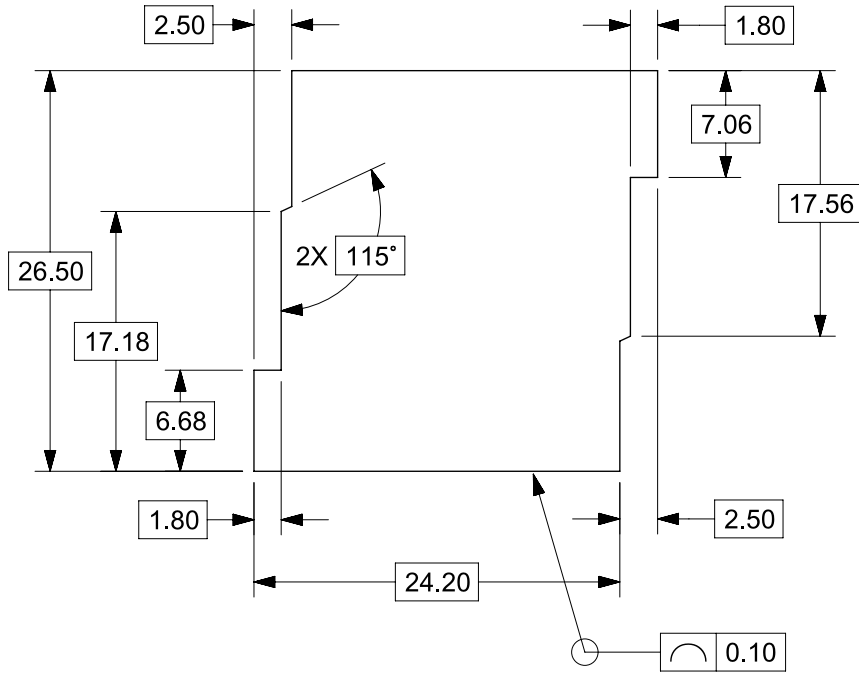
FOUR (4) KEYS AVAILABLE
SEE INTERFACE DRAWING
SD-160028-002 FOR DEFINITION



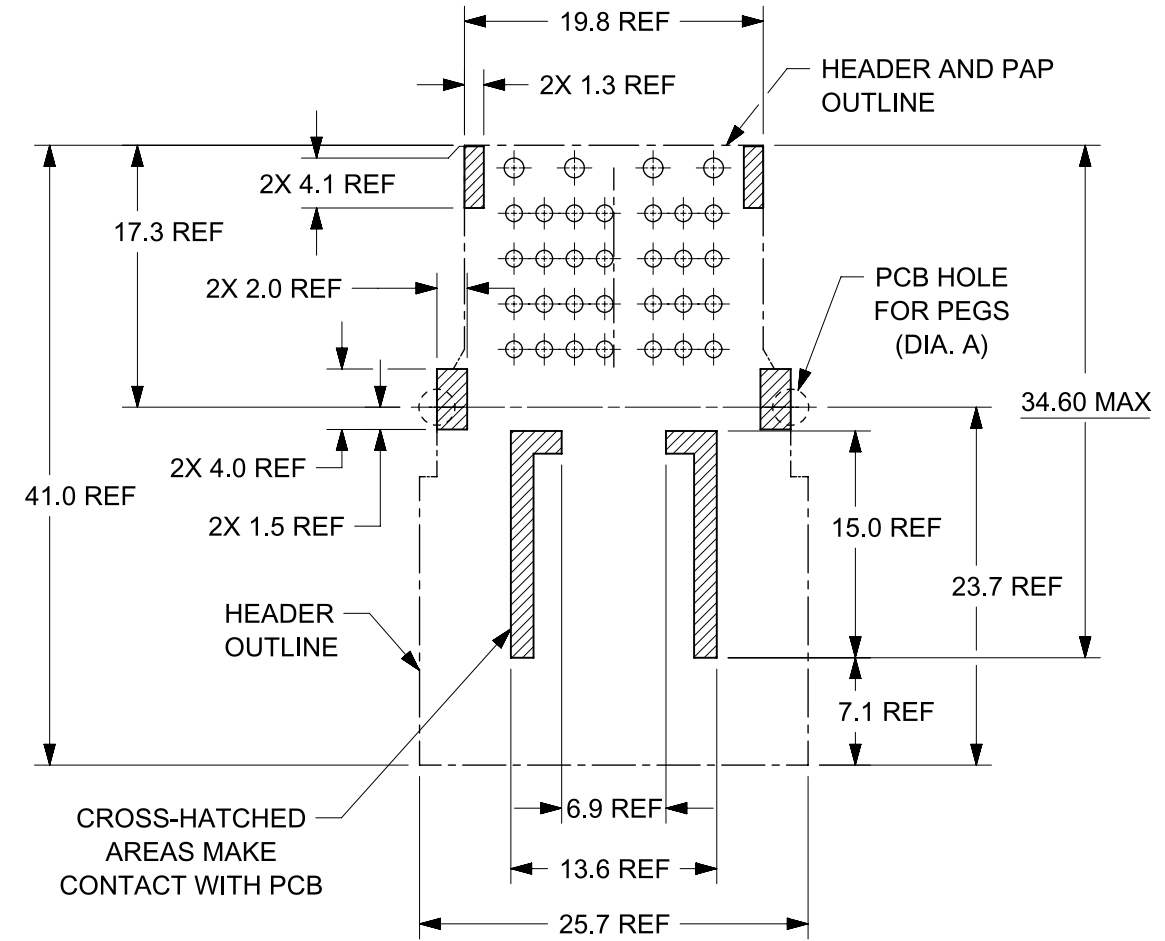
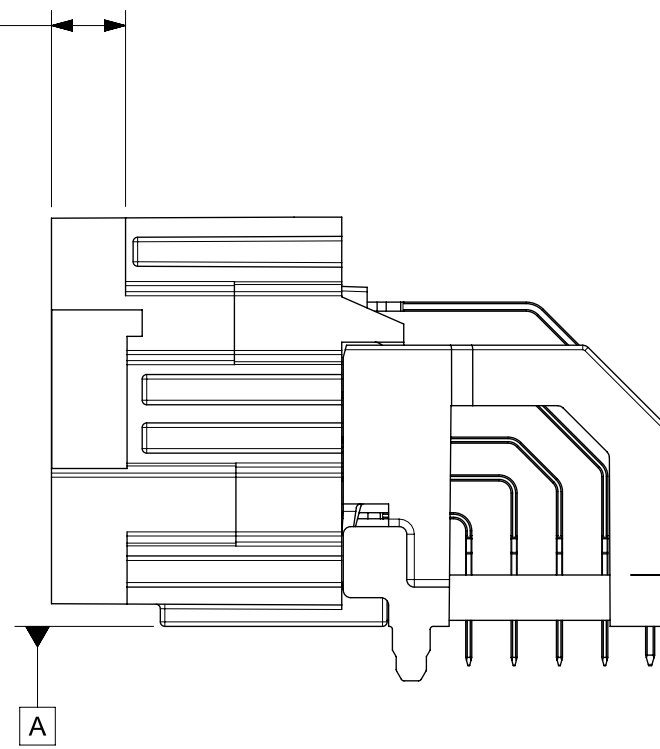
- NOTES: VALID UNLESS OTHERWISE SPECIFIED
- GENERAL:
 - APPLICATION SPECIFICATION: 2005060000-AS
 - PRODUCT SPECIFICATION: 2005060001-PS
CLASSIFICATIONS T1V1S1 TO GMW 3191 2012
DEGREE OF PROTECTION IP40 TO ISO 20653 WITH MOLEX MATING CONNECTOR
 - PACKAGING SPECIFICATION PER MOLEX DRAWING
 - DESIGN - MATERIALS:
 - HOUSING: SPS 30% GF
 - BLADE TERMINALS:
 - 0.5MM BLADES
BASE MATERIAL: COPPER ALLOY
CONDUCTIVITY ≥ 28% IACS @ 20°C
UNDERPLATE: OVERALL NICKEL
OVERPLATE: OVERALL TIN
 - 1.2MM BLADES
BASE MATERIAL: COPPER ALLOY
CONDUCTIVITY ≥ 28% IACS @ 20°C
UNDERPLATE: OVERALL NICKEL
OVERPLATE: OVERALL TIN
 - DESIGN - GEOMETRY:
 - ALL GRAPHIC DATA IS BASIC (NO TOLERANCE) AND MUST BE TAKEN FROM THE DATA FILE AT ITS LATEST REVISION.
 - PRODUCT DESIGN MODEL NUMBER 2005020320
 - GEOMETRIC DIMENSIONS AND TOLERANCES PER ASME Y14.5-2009
 - EDGES AND UNDIMENSIONED DETAILS PER ISO13715
 - CORNERS SHOWN AS SHARP TO BE R 0.4 MAX.
 - LETTERING SHALL BE MAX POSSIBLE FOR READABILITY.
THIS INCLUDES RECYCLING CODE, CAVITY ID, VENDOR IDENTIFICATION, AND CUSTOMER MATERIAL NUMBER.
 - FOR BAY/POCKET DEFINITION SEE MOLEX INTERFACE DRAWING SD-160028-002
 - MATING HARNESS CONNECTORS MOLEX PN:
1600280011 (KEY 1)
1600280012 (KEY 2)
1600280013 (KEY 3)
1600280014 (KEY 4)
 - DESIGN - MANUFACTURING:
 - VISUAL DEFECTS SHALL MEET COSMETIC STANDARD PS-45499-002 (CLASS B)
 - REFLOW SOLDERABILITY PER SMES-152

FUNCTIONAL SYMBOLS FA = 0 FB = 0 FC = 0	THIS DRAWING CONTAINS INFORMATION THAT IS PROPRIETARY TO MOLEX ELECTRONIC TECHNOLOGIES, LLC AND SHOULD NOT BE USED WITHOUT WRITTEN PERMISSION		CURRENT REV DESC: SEE REVISION TABLE					
	DIMENSION UNITS	SCALE	GENERAL TOLERANCES (UNLESS SPECIFIED)					
	MM	2:1	ANGULAR TOL ±		STAK50H MOD HDR 32 RA SOLDER SINGLE BAY			
	4 PLACES ±		3 PLACES ±		PRODUCT SALES DRAWING			
2 PLACES ± 0.130		2 PLACES ± 0.25		DOCUMENT NUMBER		DOC TYPE	DOC PART	REVISION
1 PLACE ±		0 PLACES ±		2005021320SD		PSD	000	D1
DRAFT WHERE APPLICABLE MUST REMAIN WITHIN DIMENSIONS		THIRD ANGLE PROJECTION	DRAWING	SERIES	MATERIAL NUMBER	CUSTOMER		SHEET NUMBER
			B-SIZE	200502	SEE TABLE			1 OF 2

RECOMMENDED MODULE OPENING
TO PASS ISO 20653 IP40

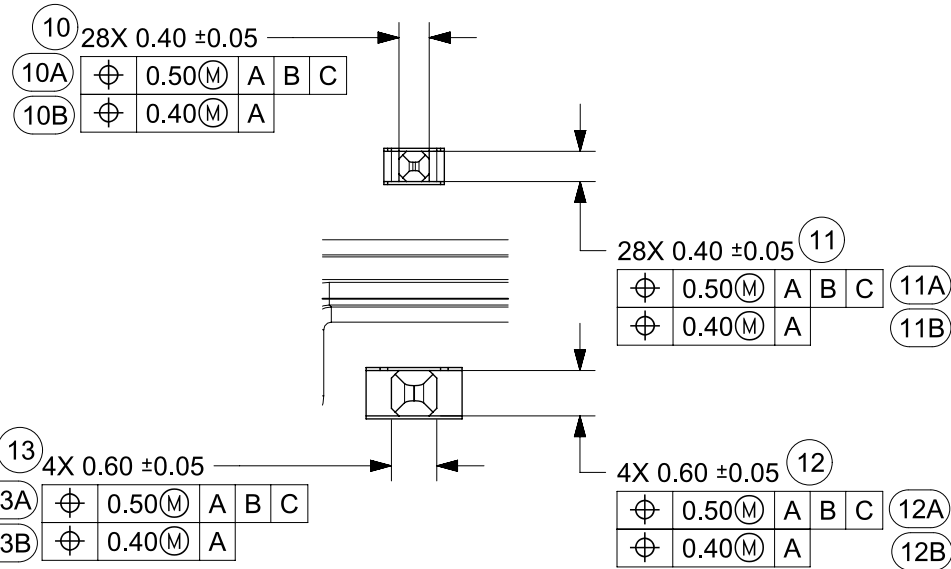


9 4.90
SPACE FOR
MODULE
COVER

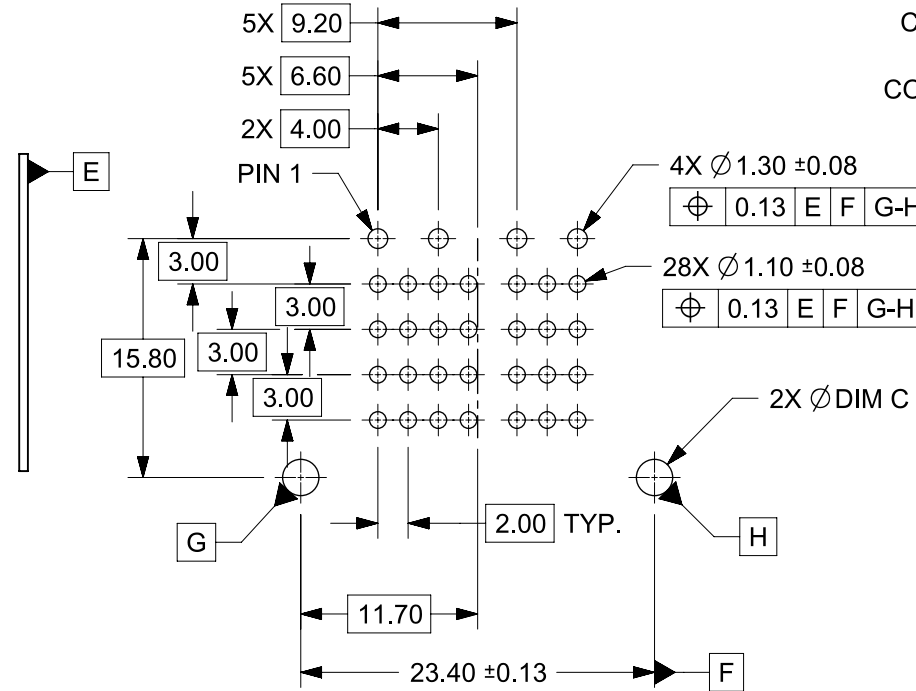


CROSS-HATCHED
AREAS MAKE
CONTACT WITH PCB

HEADER OUTLINE AND
PCB - HEADER CONTACT AREAS
FOR REFERENCE ONLY



DETAIL A
SCALE 10:1



PCB LAYOUT
FOR REFERENCE

POST HOLE FIT	DIM C
PRESS FIT	2.40±0.08
DROP IN	2.90 MIN

D1	TITLE BLOCK UPDATE
D	UPDATED THE PACKAGING DETAILS
C2	ADDED PCB HOLE DIMENSIONAL & POSITIONAL TOLERANCE 17-Feb-2020 YPENG47 ECN:630264
REVISION	DESCRIPTION

FUNCTIONAL SYMBOLS		THIS DRAWING CONTAINS INFORMATION THAT IS PROPRIETARY TO MOLEX ELECTRONIC TECHNOLOGIES, LLC AND SHOULD NOT BE USED WITHOUT WRITTEN PERMISSION		CURRENT REV DESC: SEE REVISION TABLE			
\sqrt{A} = 0	DIMENSION UNITS	SCALE					
\sqrt{E} = 0	MM	1:1					
\sqrt{V} = 0	GENERAL TOLERANCES (UNLESS SPECIFIED)						molex STAK50H MOD HDR 32 RA SOLDER SINGLE BAY PRODUCT SALES DRAWING DOCUMENT NUMBER: 2005021320SD DOC TYPE: PSD DOC PART: 000 REVISION: D1 MATERIAL NUMBER: SEE TABLE CUSTOMER: SEE TABLE SHEET NUMBER: 2 OF 2
	ANGULAR TOL ±						
	4 PLACES ±						
	3 PLACES ±						
	2 PLACES ± 0.130						
	1 PLACE ± 0.25						
	0 PLACES ±						
DIVISIONAL SYMBOLS		DRAFT WHERE APPLICABLE MUST REMAIN WITHIN DIMENSIONS		THIRD ANGLE PROJECTION			
		DRAWING		SERIES		STATUS: Production	
		B-SIZE		200502		DRWN: Praveen Kumar S 2024-01-09	
						CHK'D: Kun Du 2024-01-12	
						APPR: Ringo Hu 2024-01-12	