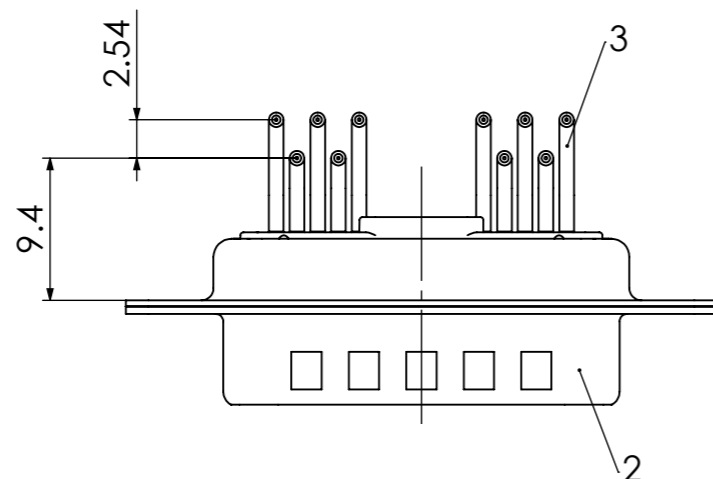
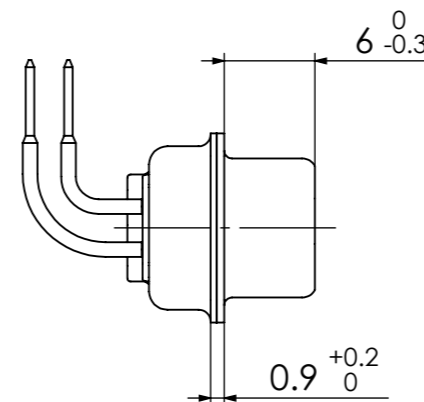
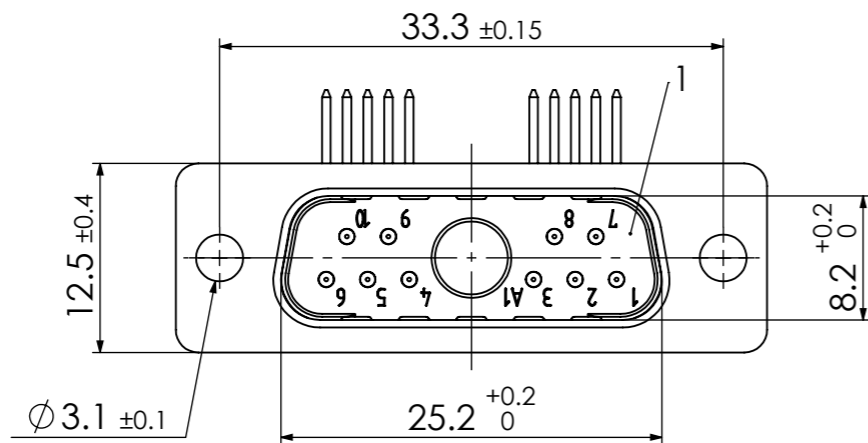
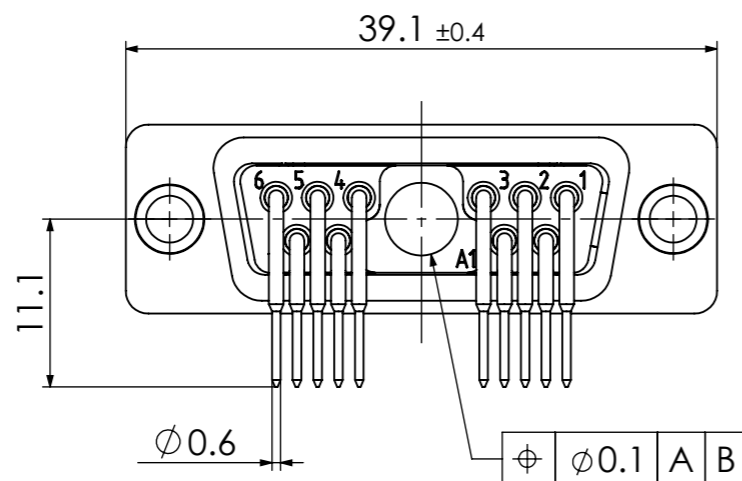
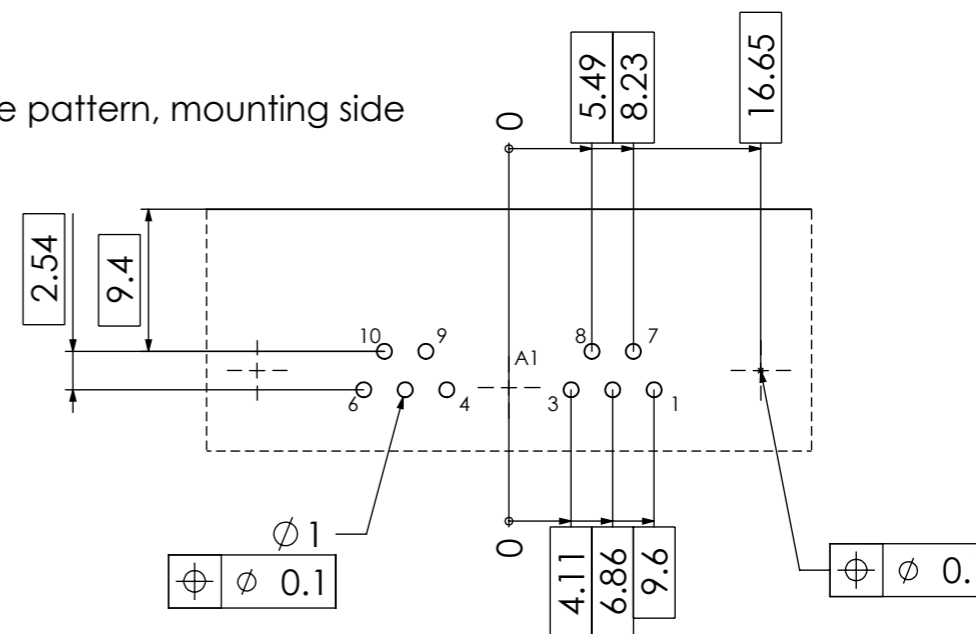


RoHS compliant
by exemption



PCB hole pattern, mounting side



3	10	Signal contact	P5 / Brass	0.8µm Au
2	1	Shell	Steel	tin plated
1	1	Insulator	PBT (-55°C to +130°C) acc. UL94V-0	green
No.	St.	Part	Type Description/Material	Surface plating/Colour/Class

FUNCTIONAL SYMBOLS ▽ = 0 ▽ = 0 ▽ = 0					THIS DRAWING CONTAINS INFORMATION THAT IS PROPRIETARY TO MOLEX ELECTRONIC TECHNOLOGIES, LLC AND SHOULD NOT BE USED WITHOUT WRITTEN PERMISSION				
DIMENSION UNITS		SCALE		MEASUREMENTS WITHOUT TOLERANCE ACC. TO					
mm		2:1		ISO 2768-m					
CURRENT REVISION					PRODUCT CUSTOMER DRAWING				
DRWN: DRAWN BY			msteinbrueck		03-08-2023		FCT D-Sub Mixed-Layout Connector MATERIAL NUMBER 1731071300		
APPR: APPR BY			mteubel		08-08-2023				
INITIAL REVISION					REVISION				
DRWN: DRAWN BY			mpostulka		06-08-2009		DOCUMENT NUMBER FM11W1P5-K120		
APPR: APPR BY			Markus.Jobst		06-08-2009				
REPLACEMENT FOR:		FIRST ANGLE PROJECTION		DRAWING		CUSTOMER		SHEET NUMBER	
1731070300_Rev. A				A3-SIZE		GENERAL MARKET		1 OF 1	

COMMENT:
ALL RIGHTS ARE RESERVED BY US FOR THIS DRAWING. WITHOUT OUR PRIOR CONSENT, IT MAY NEITHER BE DUPLICATED NOR MADE AVAILABLE TO A THIRD PARTY. AND IT ALSO MAY NOT BE IMPROPERLY USED BY THE RECEIVER, OR A THIRD PARTY.