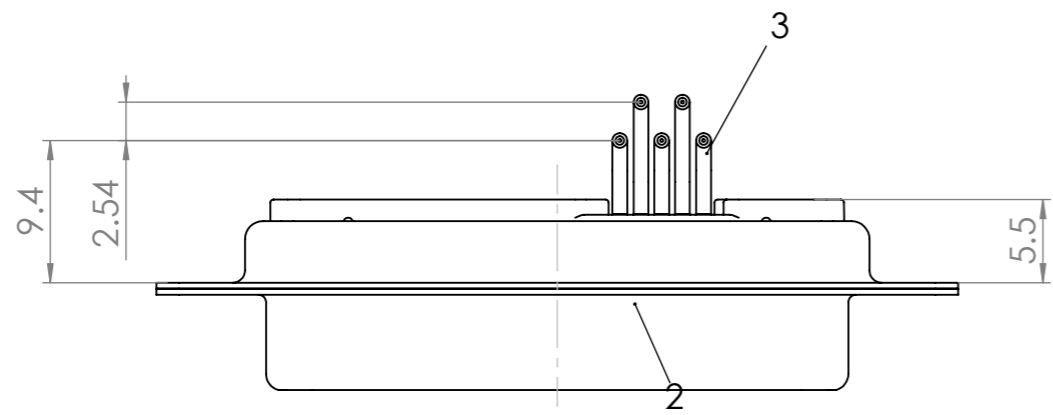
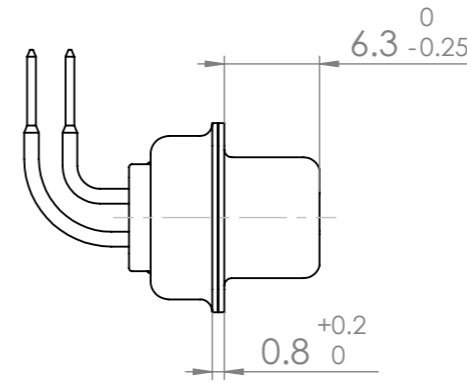
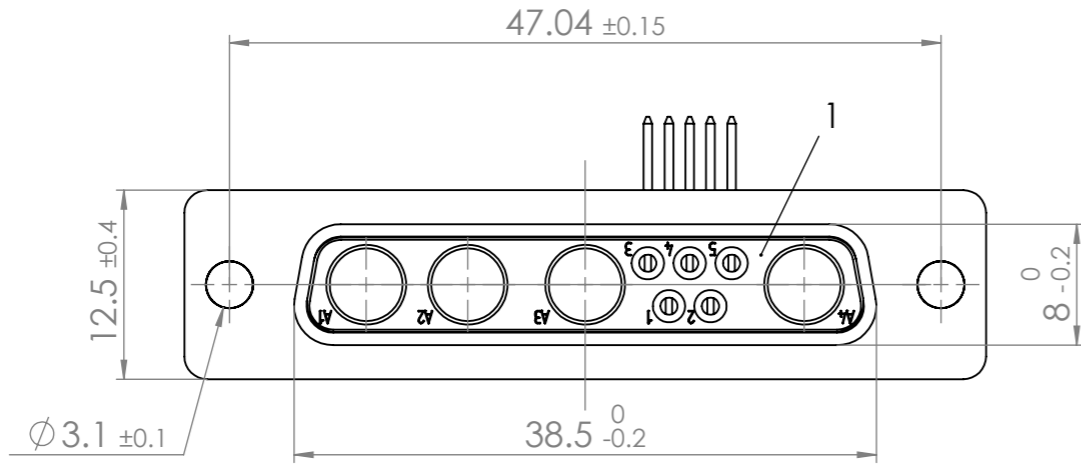
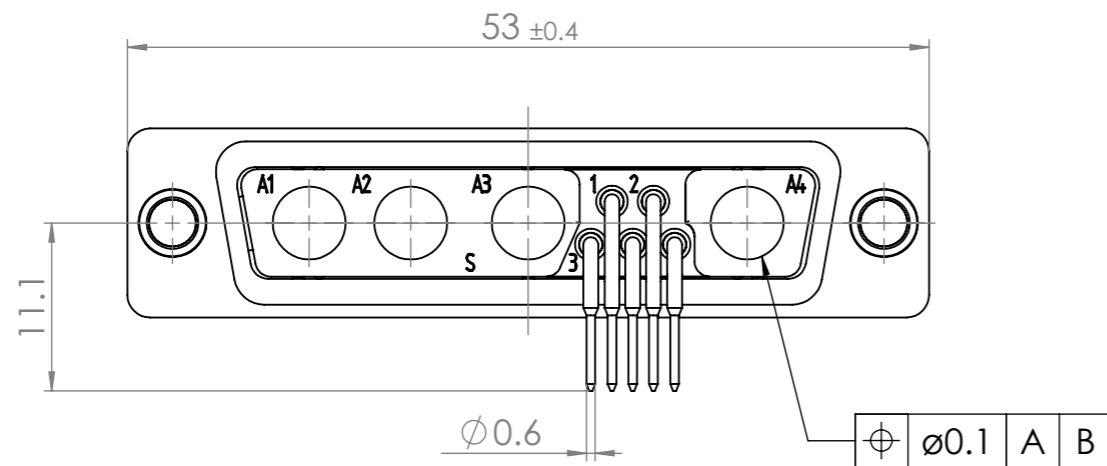
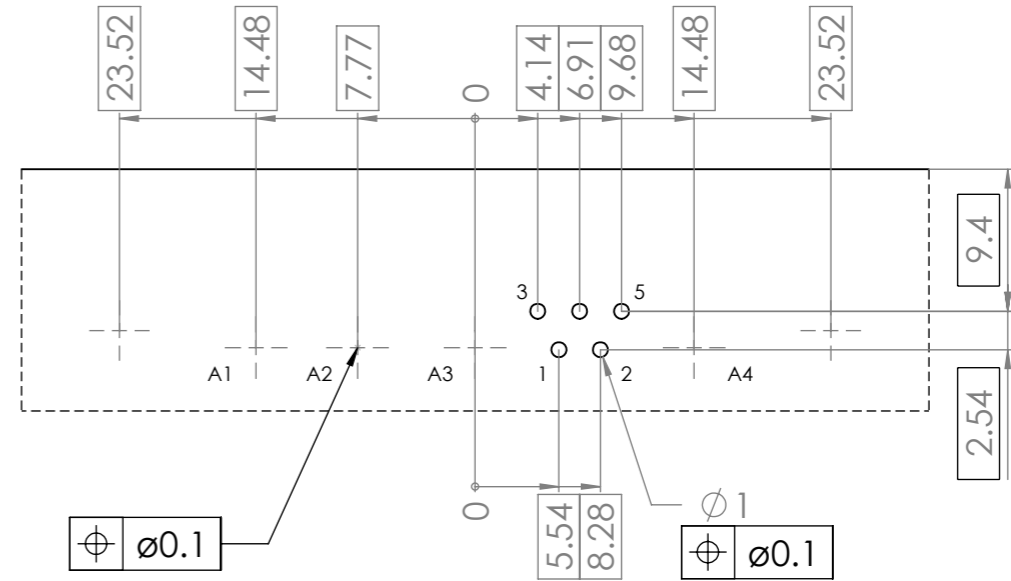


RoHS compliant
by exemption



PCB hole pattern, mounting side



COMMENT: ALL RIGHTS ARE RESERVED BY US FOR THIS DRAWING. WITHOUT OUR PRIOR CONSENT, IT MAY NEITHER BE DUPLICATED NOR MADE AVAILABLE TO A THIRD PARTY. AND IT ALSO MAY NOT BE IMPROPERLY USED BY THE RECEIVER, OR A THIRD PARTY.

3	5	Signal contact	S5 / Brass	0.8µm Au
2	1	Shell	Steel	tin plated
1	1	Insulator	PBT (-55°C to +130°C) acc. UL94V-0	green
No.	St.	Part	Type Description/Material	Surface plating/Colour/Class

FUNCTIONAL SYMBOLS $\nabla_F = 0$ $\nabla_{FC} = 0$ $\nabla_{FP} = 0$					THIS DRAWING CONTAINS INFORMATION THAT IS PROPRIETARY TO MOLEX ELECTRONIC TECHNOLOGIES, LLC AND SHOULD NOT BE USED WITHOUT WRITTEN PERMISSION				
DIMENSION UNITS		SCALE		MEASUREMENTS WITHOUT TOLERANCE ACC. TO		molex FCT D-Sub Mixed-Layout Connector			
mm		2:1		ISO 2768-m					
REV.		CH.-NO.		CURRENT REVISION		PRODUCT CUSTOMER DRAWING			
2		24130		DRWN: DRAWN BY yyakovlyeva 01-02-2019		MATERIAL NUMBER		REVISION	
1				APPR: APPR BY MTeubel 06-02-2019		1731070630		2	
REPLACEMENT FOR:		FRIST ANGLE PROJECTION		DRAWING		DOCUMENT NUMBER		CUSTOMER	
		A3-SIZE		A3-SIZE		FM9W4S5-K121		GENERAL MARKET	