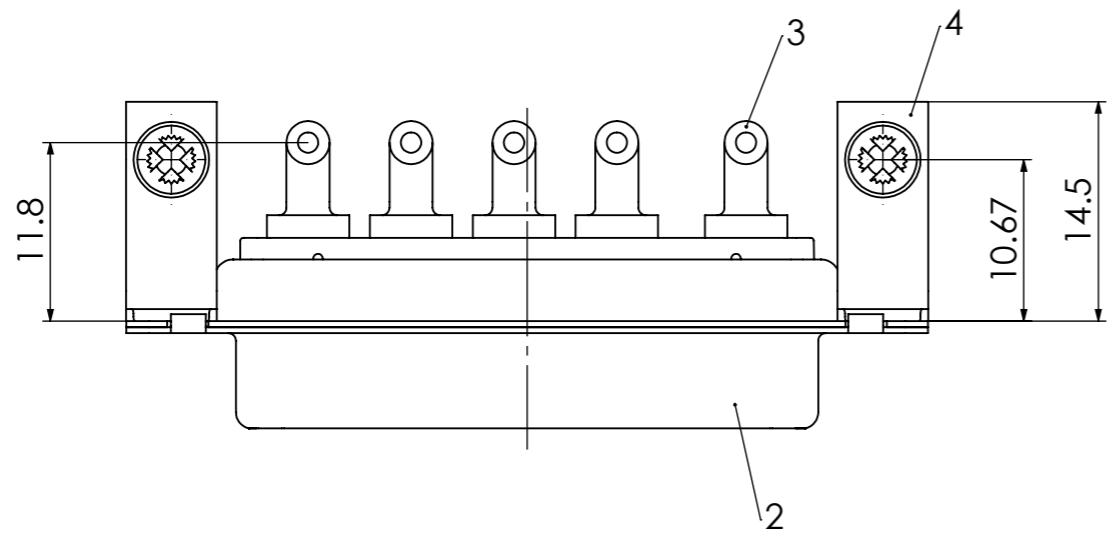
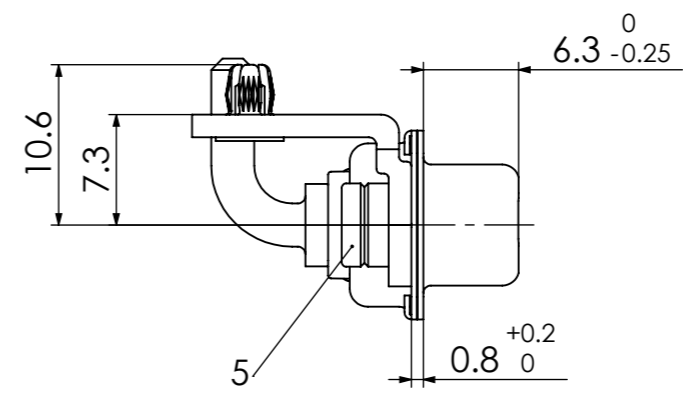
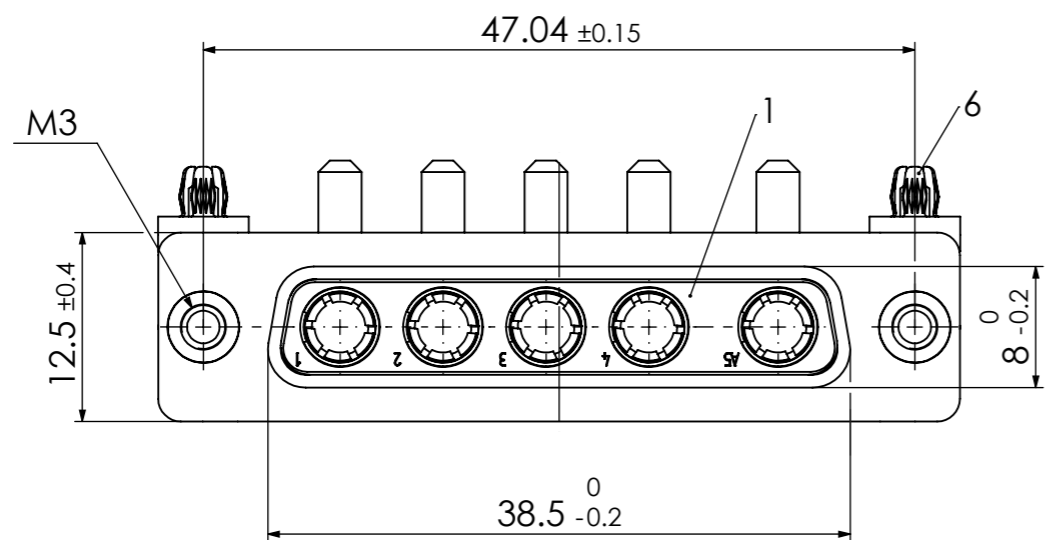
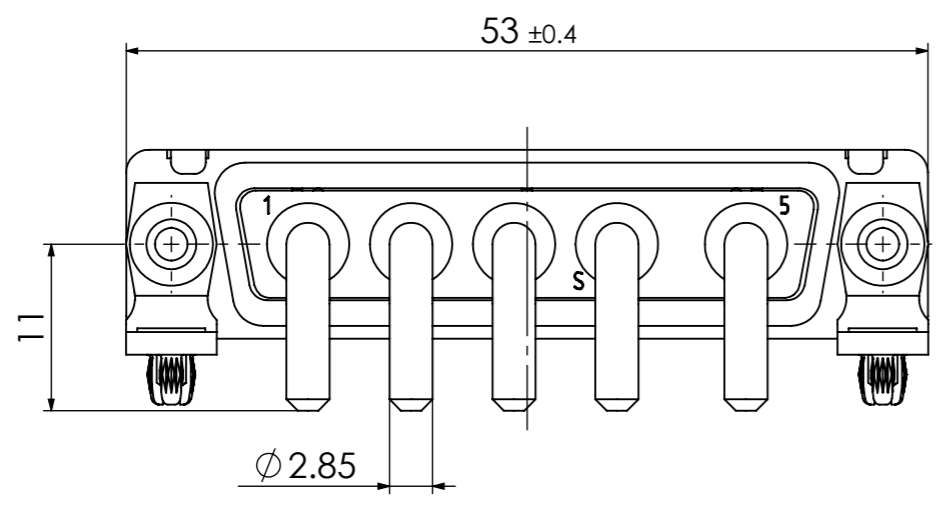
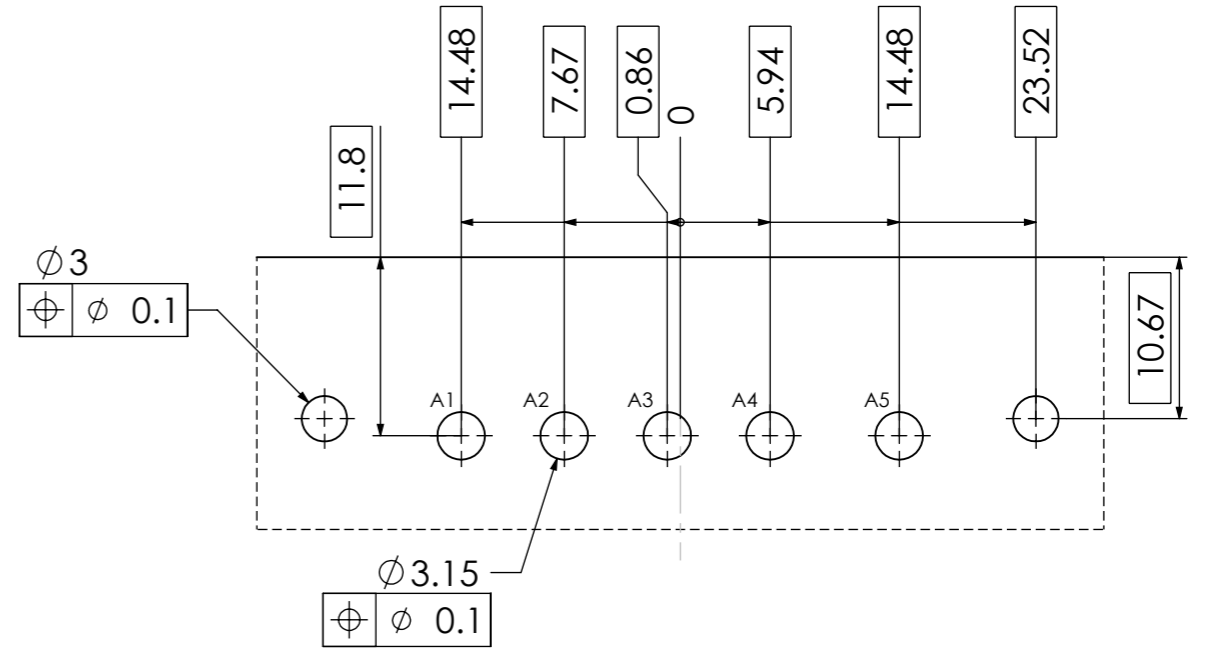


RoHS compliant
by exemption



PCB hole pattern, mounting side



No.	St.	Part	Type Description/Material	Surface plating/Colour/Class
6	2	Snap-in rivet	PCB 1.6mm / Brass	tin plated
5	2	Clinch nut	MW M3 / Steel	tin plated
4	2	Bracket	F1080-13B / Steel	tin plated
3	5	High power contact	FMP008S104R	20A
2	1	Shell	Steel	tin plated
1	1	Insulator	PBT (-55°C to +130°C) acc. UL94V-0	green

COMMENT: ALL RIGHTS ARE RESERVED BY US FOR THIS DRAWING. WITHOUT OUR PRIOR CONSENT, IT MAY NEITHER BE DUPLICATED NOR MADE AVAILABLE TO A THIRD PARTY. AND IT ALSO MAY NOT BE IMPROPERLY USED BY THE RECEIVER, OR A THIRD PARTY.

FUNCTIONAL SYMBOLS ▽ = 0 ▽ = 0 ▽ = 0		THIS DRAWING CONTAINS INFORMATION THAT IS PROPRIETARY TO MOLEX ELECTRONIC TECHNOLOGIES, LLC AND SHOULD NOT BE USED WITHOUT WRITTEN PERMISSION			
DIMENSION UNITS mm	SCALE 2:1	MEASUREMENTS WITHOUT TOLERANCE ACC. TO ISO 2768-m			
CURRENT REVISION DRWN: DRAWN BY msteinbrueck 25-07-2023 APPR: APPR BY mteubel 26-07-2023		INITIAL REVISION DRWN: DRAWN BY mpostulka 10-10-2008 APPR: APPR BY MJobst 10-10-2008		PRODUCT CUSTOMER DRAWING	
REV. CH.-NO.		REPLACEMENT FOR: 1731070369_Rev. A		MATERIAL NUMBER 1731070368	
FRIST ANGLE PROJECTION 		DRAWING A3-SIZE		DOCUMENT NUMBER FM5W5S-1418	
				CUSTOMER GENERAL MARKET	
				SHEET NUMBER 1 OF 1	