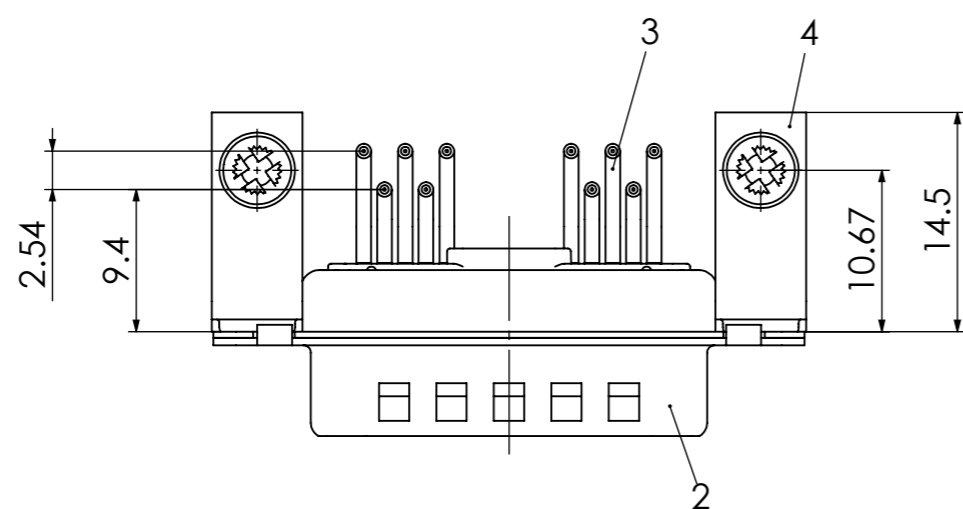
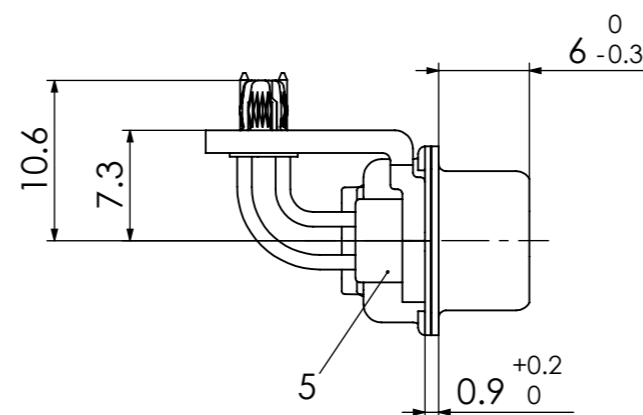
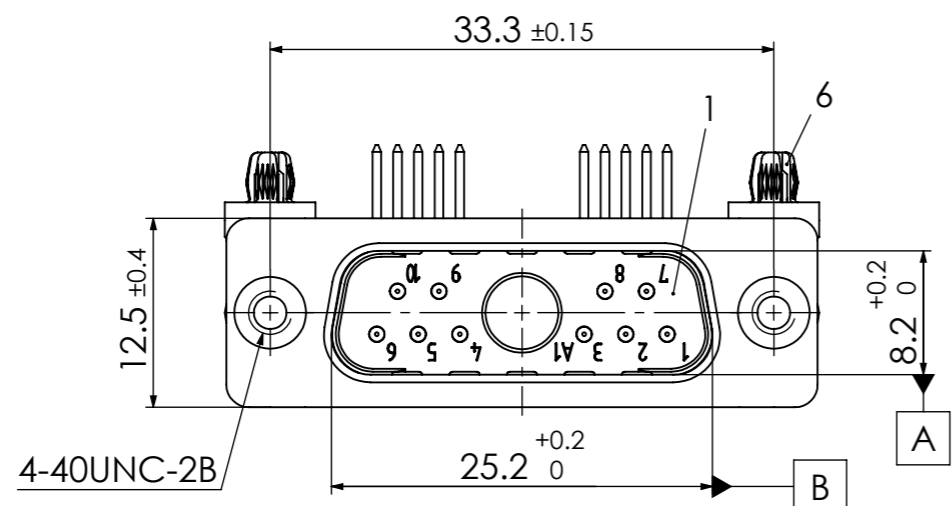
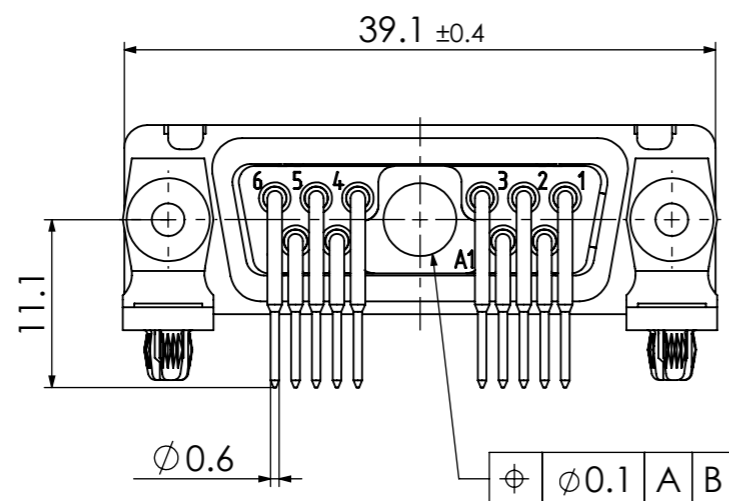
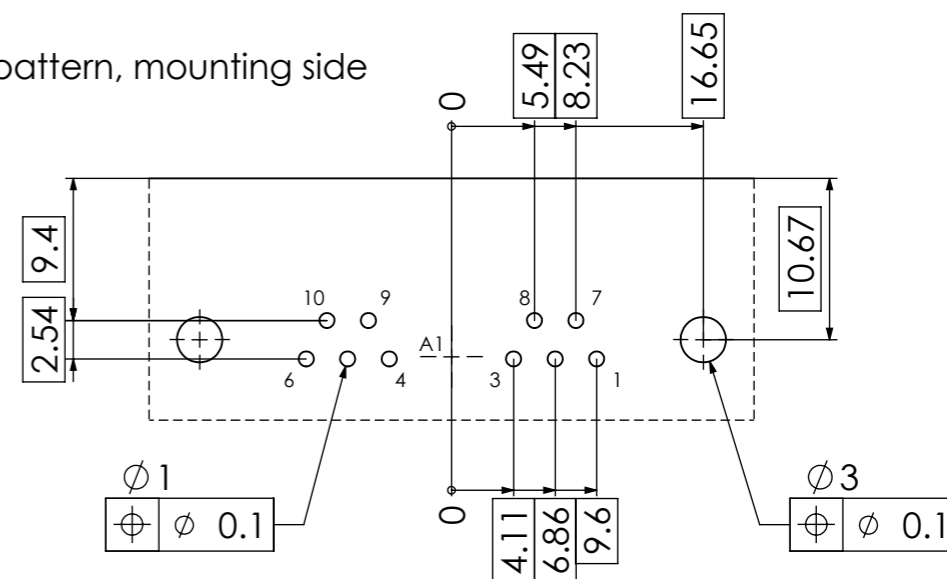


RoHS compliant
by exemption



PCB hole pattern, mounting side



6	2	Snap-in rivet	PCB 1.6mm / Brass	tin plated
5	2	Clinch nut	MW 4-40 / Steel	tin plated
4	2	Bracket	F1080-13B / Steel	tin plated
3	10	Signal contact	P5 / Brass	0.8μm Au
2	1	Shell	Steel	tin plated
1	1	Insulator	PBT (-55°C to +130°C) acc. UL94V-0	green
No.	St.	Part	Type Description/Material	Surface plating/Colour/Class

FUNCTIONAL SYMBOLS 				THIS DRAWING CONTAINS INFORMATION THAT IS PROPRIETARY TO MOLEX ELECTRONIC TECHNOLOGIES, LLC AND SHOULD NOT BE USED WITHOUT WRITTEN PERMISSION			
DIMENSION UNITS		SCALE		MEASUREMENTS WITHOUT TOLERANCE ACC. TO			
mm		2:1		ISO 2768-m			
CURRENT REVISION				PRODUCT CUSTOMER DRAWING			
DRWN: DRAWN BY		msteinbrueck		03-08-2023			
APPR: APPR BY		mteubel		08-08-2023			
INITIAL REVISION				MATERIAL NUMBER			
DRWN: DRAWN BY		ADenzinger		12-09-2006			
APPR: APPR BY		skusber		15-09-2006			
REVISION				1731070284			
REVISION				2			
REPLACEMENT FOR:				DOCUMENT NUMBER			
1731070284_Rev. A				FM11W1P5-1002			
FRIST ANGLE PROJECTION				CUSTOMER			
				GENERAL MARKET			
DRAWING				SHEET NUMBER			
A3-SIZE				1 OF 1			

COMMENT: ALL RIGHTS ARE RESERVED BY US FOR THIS DRAWING. WITHOUT OUR PRIOR CONSENT, IT MAY NEITHER BE DUPLICATED NOR MADE AVAILABLE TO A THIRD PARTY. AND IT ALSO MAY NOT BE IMPROPERLY USED BY THE RECEIVER, OR A THIRD PARTY.