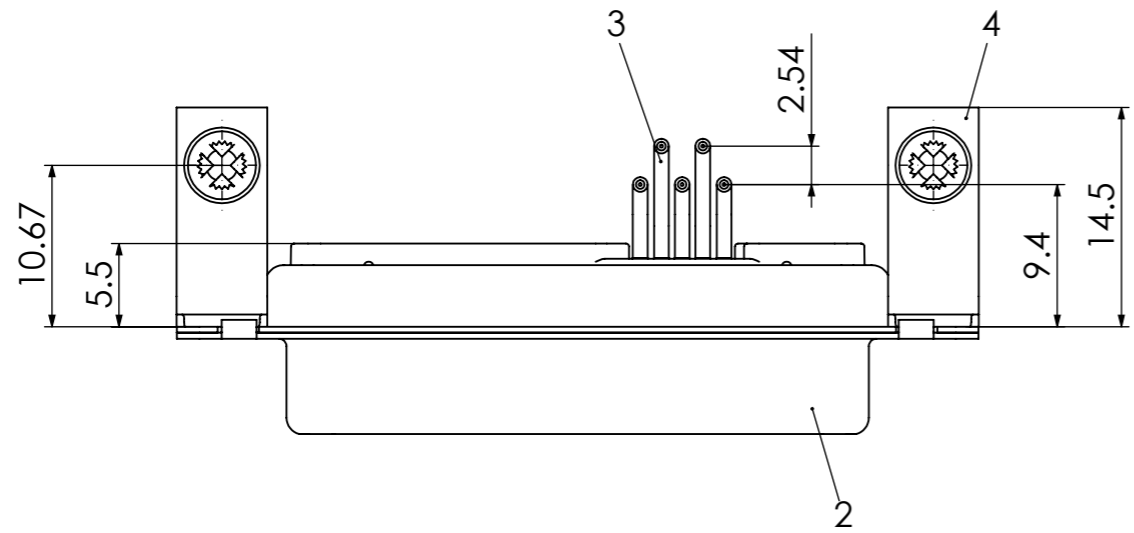
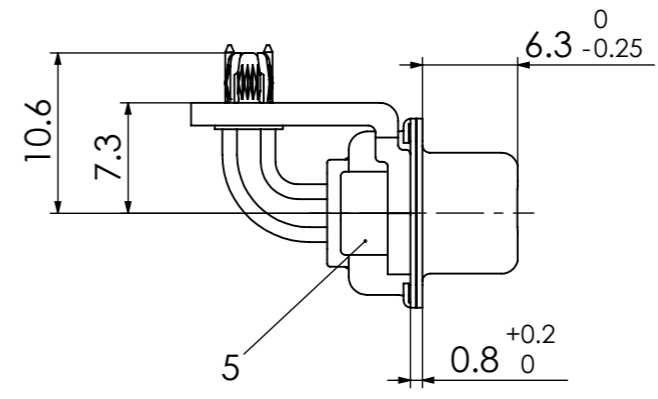
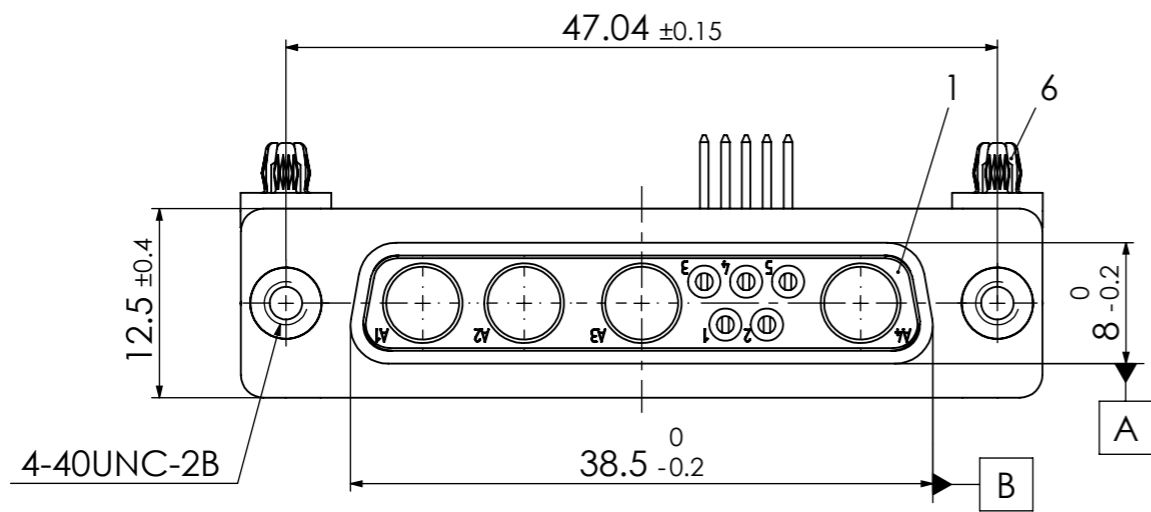
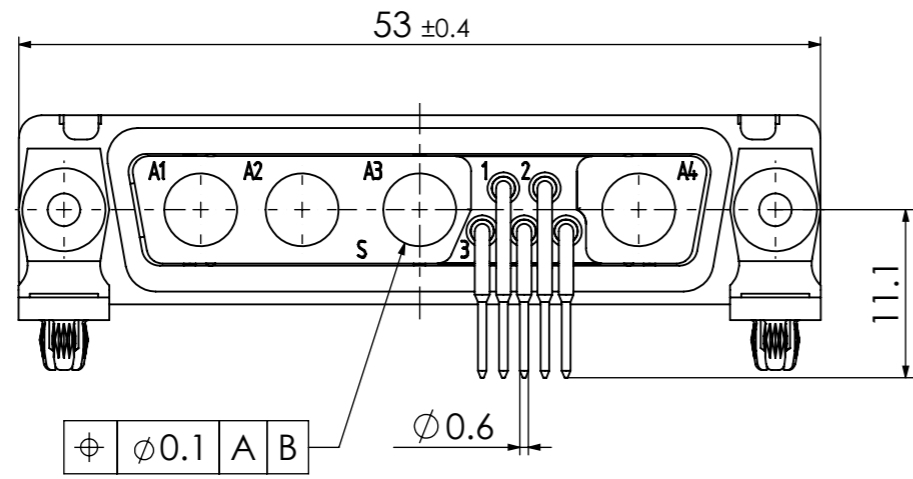
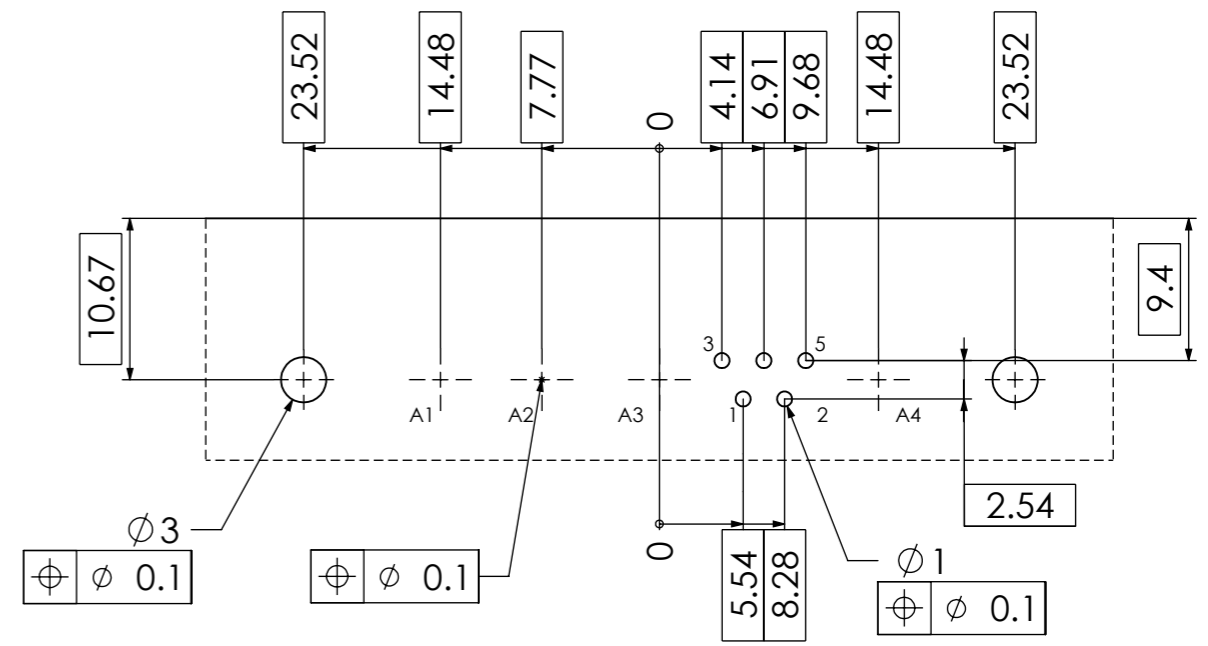


RoHS compliant  
by exemption



PCB hole pattern, mounting side



No.	St.	Part	Type Description/Material	Surface plating/Colour/Class
6	2	Snap-in rivet	PCB 1.6mm / Brass	tin plated
5	2	Clinch nut	MW4-40 / Steel	tin plated
4	2	Bracket	F1080-13B / Steel	tin plated
3	5	Signal contact	S5 / Brass	0.8µm Au
2	1	Shell	Steel	tin plated
1	1	Insulator	PBT (-55°C to +130°C) acc. UL94V-0	green

FUNCTIONAL SYMBOLS					THIS DRAWING CONTAINS INFORMATION THAT IS PROPRIETARY TO MOLEX ELECTRONIC TECHNOLOGIES, LLC AND SHOULD NOT BE USED WITHOUT WRITTEN PERMISSION					
▽ = 0	▽ = 0	▽ = 0	▽ = 0		DIMENSION UNITS	SCALE	MEASUREMENTS WITHOUT TOLERANCE ACC. TO	<b>molex</b>		
					mm	2:1	ISO 2768-m			
					CURRENT REVISION					
					DRWN: DRAWN BY		16-03-2023		FCT D-Sub Mixed-Layout Connector	
					APPR: APPR BY		17-03-2023			
					INITIAL REVISION					
					DRWN: DRAWN BY		12-09-2006		PRODUCT CUSTOMER DRAWING	
					APPR: APPR BY		15-09-2006			
					REV.		CH.-NO.		MATERIAL NUMBER	
									1731070101	
					REPLACEMENT FOR:		FRIST ANGLE PROJECTION		DOCUMENT NUMBER	
							DRAWING		FM9W4S5-1002	
							A3-SIZE		CUSTOMER	
									GENERAL MARKET	
									REVISION	
									3	
									SHEET NUMBER	
									1 OF 1	

COMMENT: ALL RIGHTS ARE RESERVED BY US FOR THIS DRAWING. WITHOUT OUR PRIOR CONSENT, IT MAY NEITHER BE DUPLICATED NOR MADE AVAILABLE TO A THIRD PARTY. AND IT ALSO MAY NOT BE IMPROPERLY USED BY THE RECEIVER, OR A THIRD PARTY.