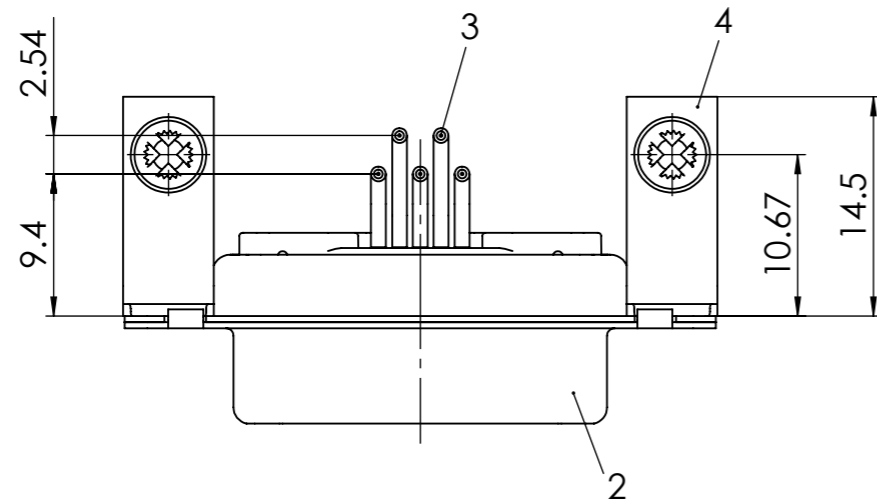
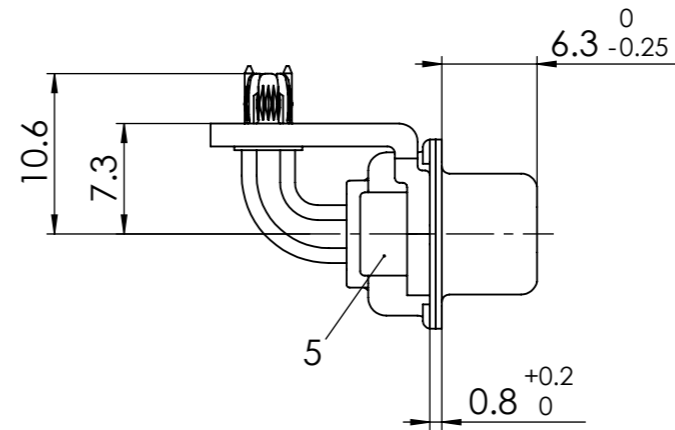
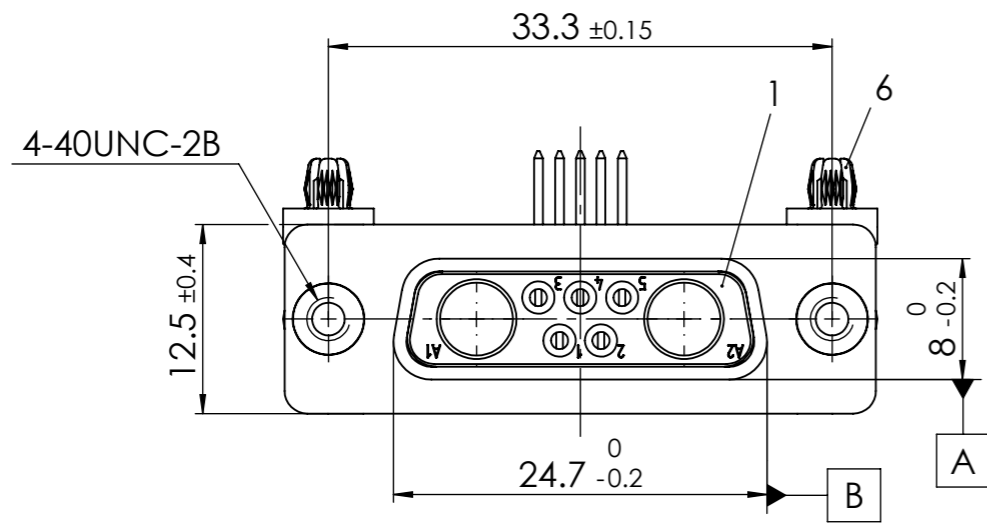
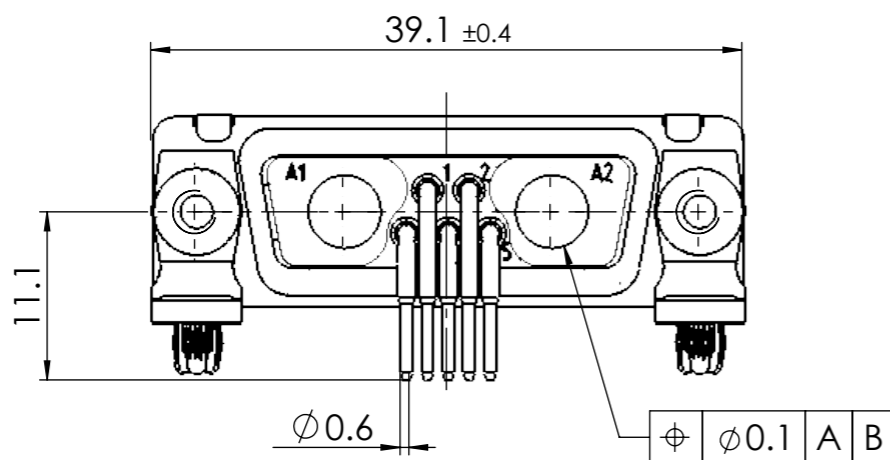
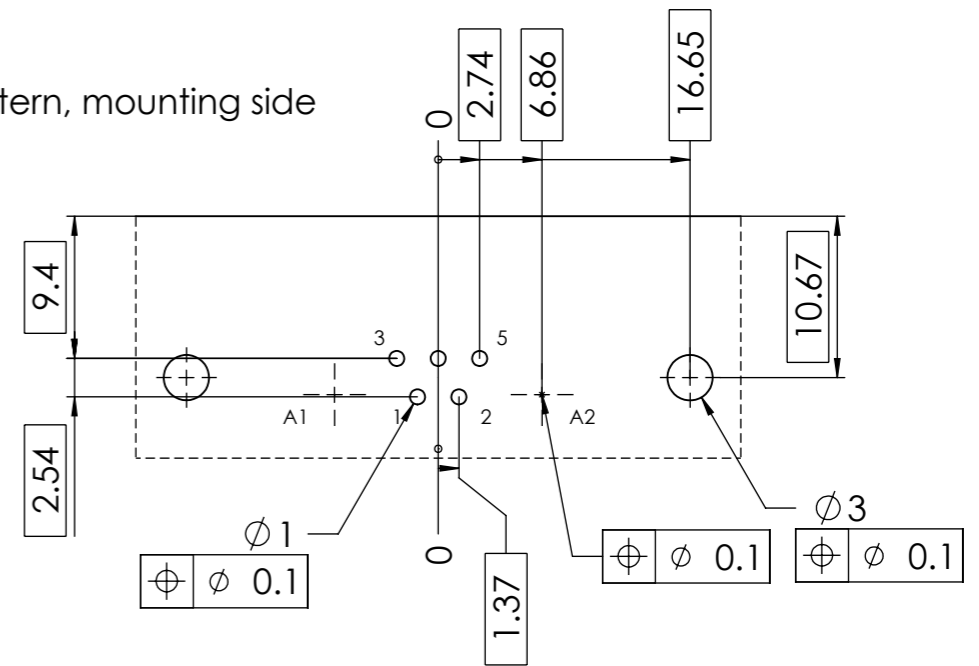


RoHS compliant
by exemption



PCB hole pattern, mounting side



No.	St.	Part	Type Description/Material	Surface plating/Colour/Class
6	2	Snap-in rivet	PCB 1.6mm / Brass	tin plated
5	2	Clinch nut	MW 4-40 / Steel	tin plated
4	2	Bracket	F1080-13B / Steel	tin plated
3	5	Signal contact	S5 / Brass	0.8μm Au
2	1	Shell	Steel	tin plated
1	1	Insulator	PBT (-55°C to +130°C) acc. UL94V-0	green

FUNCTIONAL SYMBOLS					THIS DRAWING CONTAINS INFORMATION THAT IS PROPRIETARY TO MOLEX ELECTRONIC TECHNOLOGIES, LLC AND SHOULD NOT BE USED WITHOUT WRITTEN PERMISSION				
▽ = 0	▽ = 0	▽ = 0	DIMENSION UNITS	SCALE	MEASUREMENTS WITHOUT TOLERANCE ACC. TO ISO 2768-m				
			mm	2:1	CURRENT REVISION				
					DRWN: DRAWN BY	msteinbrueck	08-08-2023	FCT D-Sub Mixed-Layout Connector	
					APPR: APPR BY	fvetter	17-08-2023	PRODUCT CUSTOMER DRAWING	
					INITIAL REVISION				
					DRWN: DRAWN BY	sschref	26-09-2005	MATERIAL NUMBER	REVISION
					APPR: APPR BY	ADenzinger	27-09-2005	1731070096	3
			REPLACEMENT FOR:	FRIST ANGLE PROJECTION	DRAWING	DOCUMENT NUMBER		CUSTOMER	SHEET NUMBER
			1731070096_Rev. A1		A3-SIZE	FM7W2S5-1002		GENERAL MARKET	1 OF 1

COMMENT: ALL RIGHTS ARE RESERVED BY US FOR THIS DRAWING. WITHOUT OUR PRIOR CONSENT, IT MAY NEITHER BE DUPLICATED NOR MADE AVAILABLE TO A THIRD PARTY. AND IT ALSO MAY NOT BE IMPROPERLY USED BY THE RECEIVER, OR A THIRD PARTY.