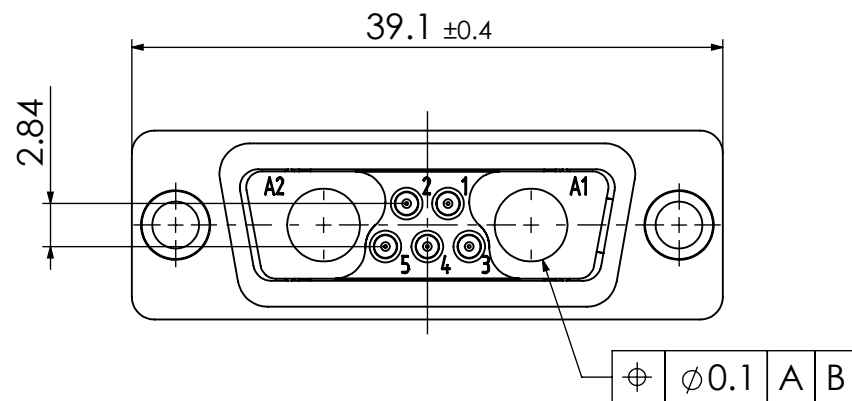
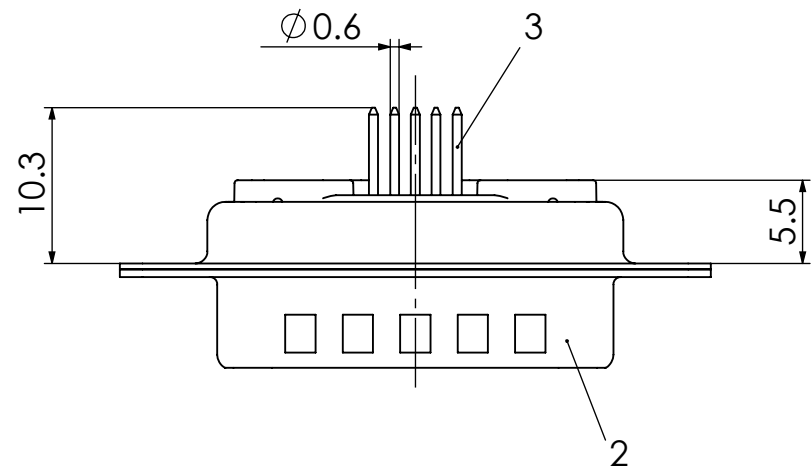
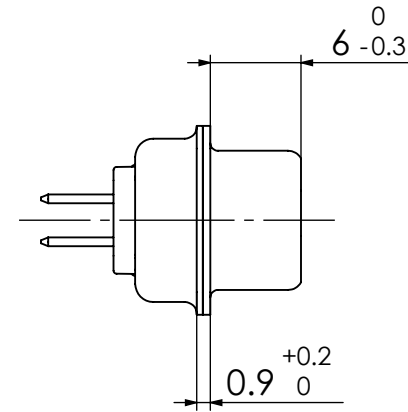
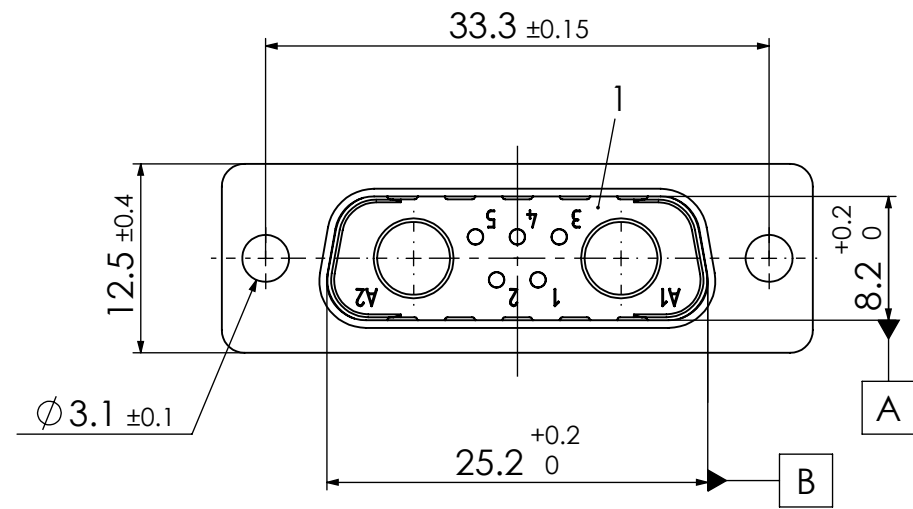
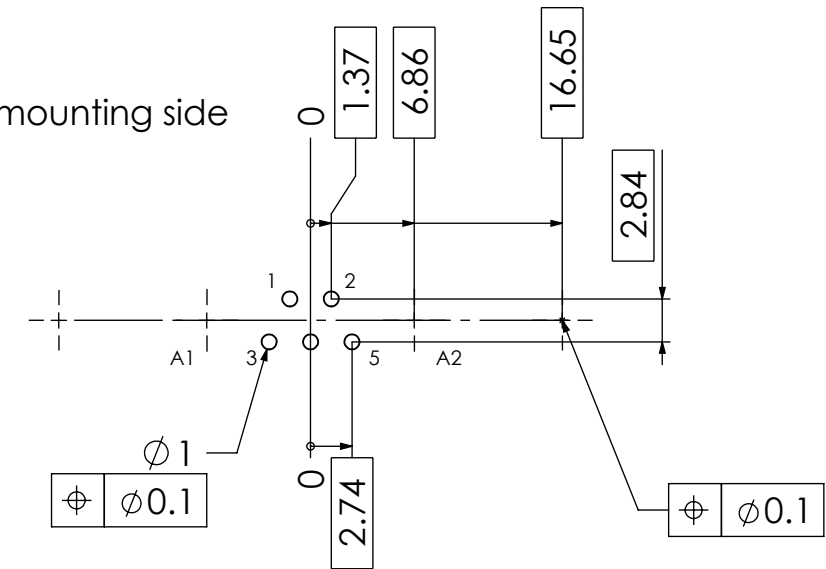


RoHS compliant  
by exemption



PCB hole pattern, mounting side



3	5	Signal contact	P1 / Brass	0.8µm Au
2	1	Shell	Steel	tin plated
1	1	Insulator	PBT (-55°C to +130°C) acc. UL94V-0	green
No.	St.	Part	Type Description/Material	Surface plating/Colour/Class

FUNCTIONAL SYMBOLS ▽ = 0 ▽ = 0 ▽ = 0					THIS DRAWING CONTAINS INFORMATION THAT IS PROPRIETARY TO MOLEX ELECTRONIC TECHNOLOGIES, LLC AND SHOULD NOT BE USED WITHOUT WRITTEN PERMISSION				
DIMENSION UNITS		SCALE		MEASUREMENTS WITHOUT TOLERANCE ACC. TO ISO 2768-m					
mm		2:1							
CURRENT REVISION					PRODUCT CUSTOMER DRAWING				
DRWN: DRAWN BY		msteinbrueck		05-09-2023		MATERIAL NUMBER <b>1731070091</b>			REVISION <b>3</b>
APPR: APPR BY		mteubel		15-09-2023					
INITIAL REVISION									
DRWN: DRAWN BY		sschref		10-12-2004		DOCUMENT NUMBER <b>FM7W2P1-K120</b>			CUSTOMER GENERAL MARKET
APPR: APPR BY		aschiekofer		17-01-2005					
REPLACEMENT FOR:		FRIST ANGLE PROJECTION		DRAWING		SHEET NUMBER		1 OF 1	
1731070091_Rev. A1				A3-SIZE					

COMMENT: ALL RIGHTS ARE RESERVED BY US FOR THIS DRAWING. WITHOUT OUR PRIOR CONSENT, IT MAY NEITHER BE DUPLICATED NOR MADE AVAILABLE TO A THIRD PARTY. AND IT ALSO MAY NOT BE IMPROPERLY USED BY THE RECEIVER, OR A THIRD PARTY.